




HARDWARE LIST			
A		5mm	1
B		M8*16	4
C		8mm	2

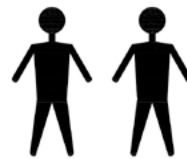


FIG.
1

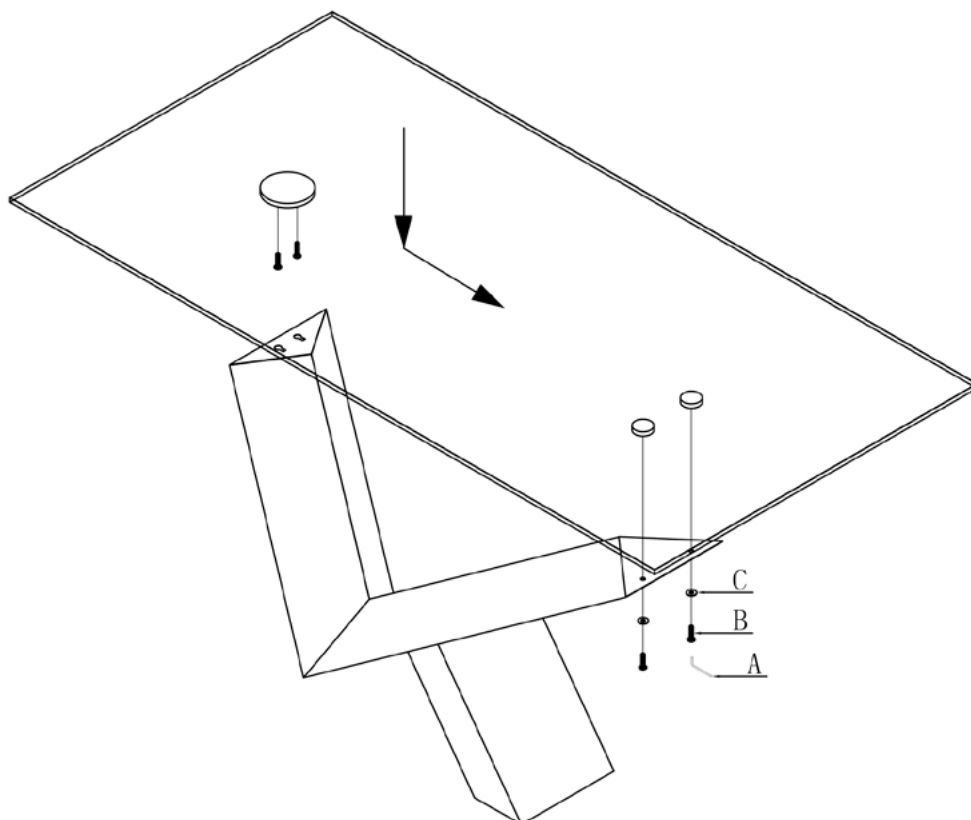


FIG.
2

