

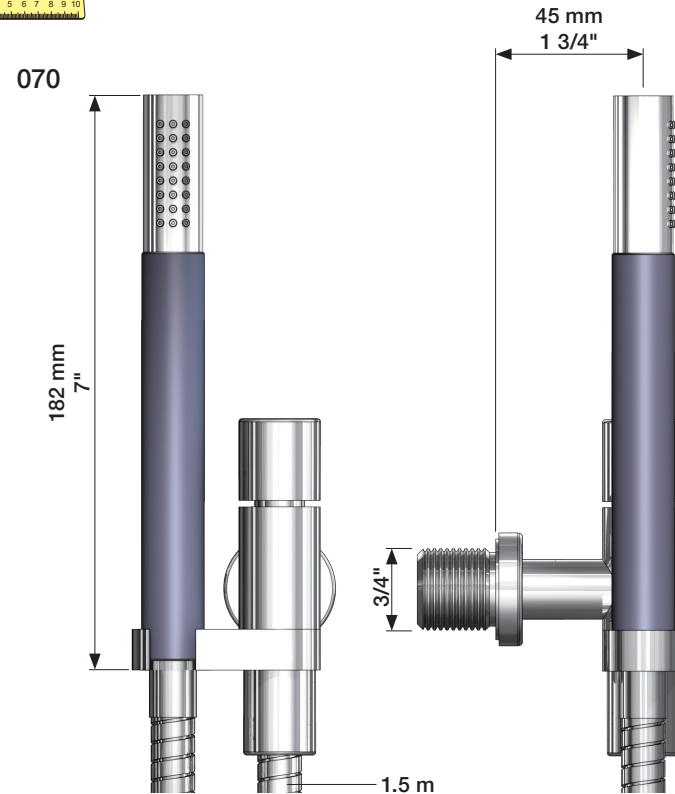
VOLA 070, 070R, 070-HT2

Fitting instruction
 Montageanleitung
 Monteringsvejledning
 Monteringsvægledning
 Montage hanleiding
 Manuel de montage

| Data | Bar: | 1 | 2 | 3 | 4 | 5 |
|---|----------------------|----------|-----------|-----------|-----------|----------|
| 070/070R | (l/min) (Gal/min) | 9 2.5 | 9 2.5 | 9 2.5 | 9 2.5 | 9 2.5 |
| 070-HT2 | (l/min) (Gal/min) | 9 2.5 | 12 3.2 | 15 4.0 | 17 4.5 | 19 5 |
|  | Max. 65°C. 150°F | | | | | |



VR161:
 VR161K: 7 l/min - 1.8 Gal/min (Cal Green)





Extension Verlängerung Forlængerdele Förlängning Verlangstücken Modification

T Min. 3 mm Max. 65 mm Y Min. 48 mm Max. 110 mm

| T | Y | VR2019 |
|------------|-------------|--------|
| 3 - 15 mm | 110 - 98 mm | Std. |
| 15 - 25 mm | 98 - 88 mm | +10 |
| 25 - 35 mm | 88 - 78 mm | +20 |
| 35 - 45 mm | 78 - 68 mm | +30 |
| 45 - 55 mm | 68 - 58 mm | +40 |
| 55 - 65 mm | 58 - 48 mm | +50 |

VR2019+

VR1020

12 mm



VR1020K: VR20A, VR22, VR1020, VR1022
 VR2019: VR20A, VR22, VR1019, VR1020, VR1022



vola
 Lunavej 2
 DK-8700 Horsens
 Tlf : + 45 7023 5500
 sales@vola.com
 www.vola.com

VOLA 070, 070R 070-HT2

Date
 Apr. 21

Rev.
 5

Sheet
 SB 16