

Sink KE Gun Metal 2151 856

Sinks

Code: 2151 856



DETAILS

Coloring Gun Metal

Finish PVD

Material AISI 304 stainless steel

Texture Foster brushed

Base 30 cm

Edge/Installation Type Undermount

Dimensions 222x442 mm

Standard fittings Fixing hooks, gasket, drain, overflow and siphon, boxed packing

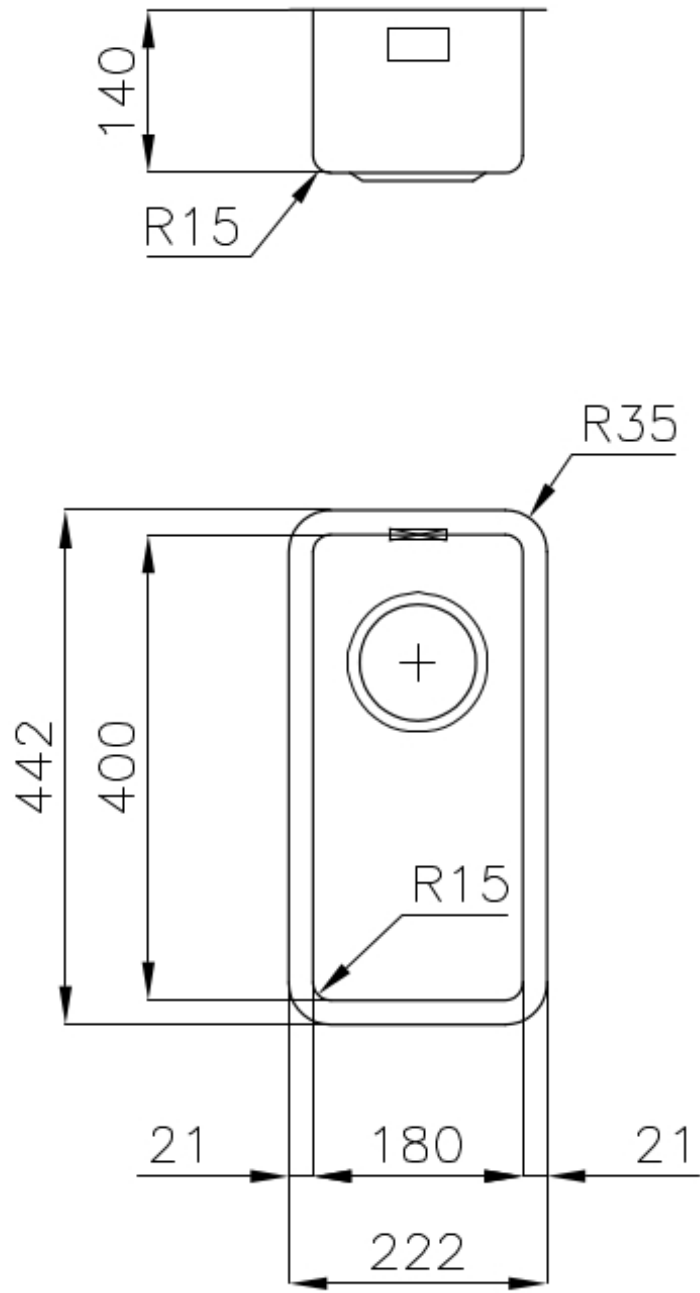
Mixer holes No standard holes

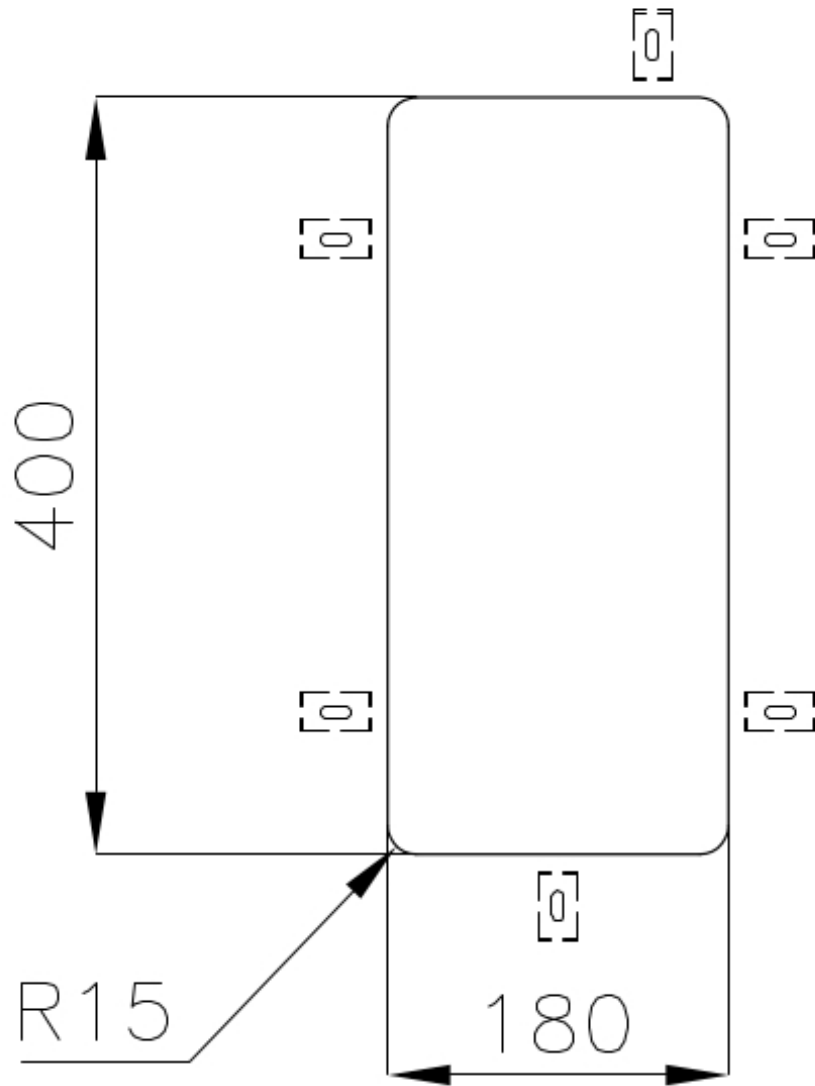
Built-in hole	View technical data sheet (for all Flush-mount / Top-mount models and Under-mount models)
Drainer	No
Width	22 cm
Bowl dimension	180x400mm
Number of bowls	1 bowl
Waste fitting	3,5" drain

FEATURES

Basket 3,5" waste fitting	The drain is equipped with a large 3.5" drain, with the practical basket cap that prevents the discharge of solid parts. The 3.5 "drain allows the use of the Foster waste-disposer, compatible with all models.
Gun Metal	The Gun Metal finish is obtained by treating steel with a physical process called PVD (Physical Vacuum Deposition) which deposits particles of noble metals on the surface. The result is a unique and refined aesthetic effect, and an improvement of the mechanical properties of the steel which is more resistant to impact and scratches.
High thickness	1mm thick steel. A significant thickness, which guarantees the maximum sturdiness and durability.
Perimetral overflow	The overflow is always a security on the Foster sinks that prevents the overflow of water in case of oversights. The perimeter drain solution improves aesthetics thanks to its square and essential shape.
Small radius	Bowls with squared shapes with a modern design and an increased capacity, for a minimal aesthetics connected with an extreme practicality.

TECHNICAL DATA





Cut out size
Dimensioni per foratura top

RECOMMENDED PAIRINGS



Mixer Tap Omega Gun Metal
8497 856



Mixer Tap Skin Gun Metal 8424
856

OPTIONAL AUTOMATIC WASTE FITTINGS



Gun Metal automatic waste
fitting 8407 110



Space Push Gun Metal automatic
waste fitting 8407 120