



VISTA™ CHAIR

PRODUCT DATA





VISTA™ CHAIR

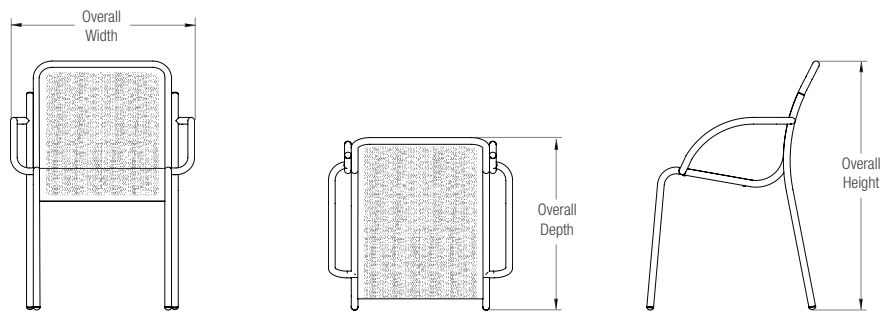
PRODUCT DATA

Great looks. Proven performance. Incredible value. The **Vista Chair**, with its simple, timeless design, is built for everyday use in the most demanding environments. Constructed of stainless steel, the Vista Chair has a stackable frame and perforated seat, providing the perfect seating solution for both indoors and out.

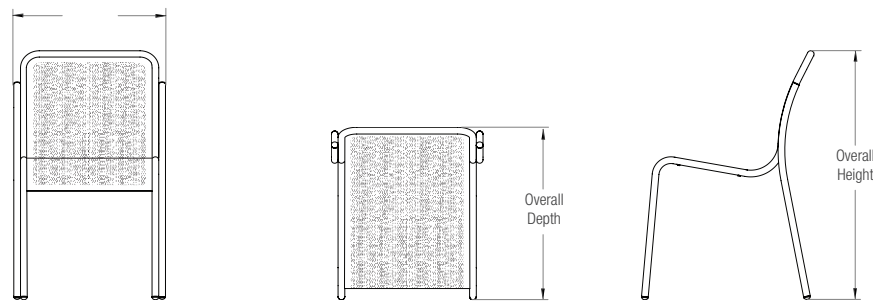
MATERIAL & CONSTRUCTION DETAILS

FRAME & ARMRESTS	FINISH OPTIONS	INSTALLATION
<ul style="list-style-type: none"> Chair frames and armrests are made of 7/8" (22 mm) diameter stainless steel tubing; all connection points are fully welded for maximum durability. 	<ul style="list-style-type: none"> See the Forms+Surfaces Powdercoat Chart for details. Custom RAL colors are available for an upcharge. 	<ul style="list-style-type: none"> Vista stacking chairs are freestanding and include nylon glides.
SEATS	STACKING	MAINTENANCE
<ul style="list-style-type: none"> Perforated seats are formed from 14 gauge stainless steel sheet with an overall pattern of .25" (6 mm) diameter perforations; each seat is welded to the chair frame. 	<ul style="list-style-type: none"> Chairs can generally be stacked to a height of 12 units with arms, or 15 units without arms, depending on surface levelness, winds, and other conditions. Nylon bumpers are included on the underside to protect when stacking. 	<ul style="list-style-type: none"> Metal surfaces can be cleaned as needed using a soft cloth or brush with warm water and a mild detergent. Avoid abrasive cleaners.

NOMINAL DIMENSIONS



MODEL	OVERALL WIDTH	OVERALL DEPTH	OVERALL HEIGHT	WEIGHT
SCVIS-AP	24.0" (610 mm)	22.5" (572 mm)	32.4" (823 mm)	15.0 lbs (6.8 kg)



MODEL	OVERALL WIDTH	OVERALL DEPTH	OVERALL HEIGHT	WEIGHT
SCVIS-P	19.8" (503 mm)	22.5" (572 mm)	32.4" (823 mm)	12.7 lbs (5.8 kg)



VISTA™ CHAIR

PRODUCT DATA

ENVIRONMENTAL CONSIDERATIONS

- Please refer to the Vista Chair Environmental Data Sheet for detailed environmental impact information.
- Vista Chairs have a high recycled content.
- Standard powdercoat finishes are no-VOC; non-standard powdercoat finishes are no- or low-VOC, depending on color.
- Low maintenance.

MODEL NUMBERS AND DESCRIPTIONS

MODEL	DESCRIPTION
SCVIS-AP	Vista Stacking Armchair, stainless steel frame and perforated seats
SCVIS-P	Vista Stacking Chair, stainless steel frame and perforated seats

PRODUCT OPTIONS

The following options are available for an upcharge

Premium Texture Colors from Forms+Surfaces Powdercoat Chart
Custom RAL powdercoat color

LEAD TIME: 6 to 8 weeks. Shorter lead times may be available upon request. Please contact us to discuss your specific timing requirements.

PRICING: Please contact us at **800.451.0410** or **sales@forms-surfaces.com**. At Forms+Surfaces, we design, manufacture and sell our products directly to you. Our sales team is available to assist you with questions about our products, requests for quotes, and orders. Territory Managers are located worldwide to assist with the front-end specification and quoting process, and our in-house Project Sales Coordinators follow your project through from the time you place an order to shipment.

TO ORDER SPECIFY: Quantity, model, and powdercoat color. Quote/Order Forms are available on our website to lead you through the specification process in a simple checkbox format.