



AXIS™ LITTER & RECYCLING RECEPTACLE

PRODUCT DATA





AXIS™ LITTER & RECYCLING RECEPTACLE

PRODUCT DATA

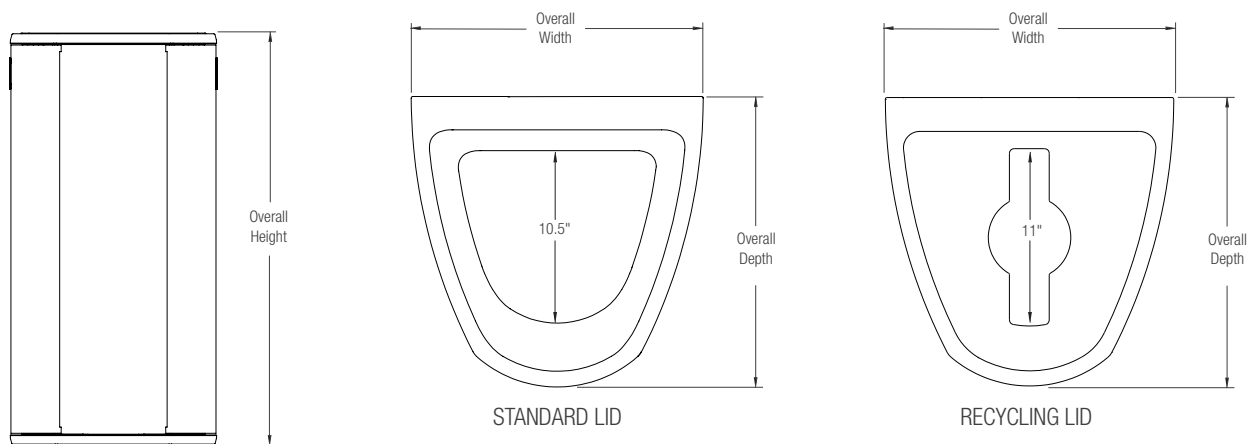
The **Axis Litter & Recycling Receptacle** draws inspiration from airplanes and high-speed trains – fitting for its intended use at airports and other transit centers. With its streamlined stance, Axis is an extremely versatile modular design: install it as a single unit, connect two for dual-stream use, or switch on-site to meet evolving needs. Individual receptacles fit snug against a wall, while double units placed in the open allow crowds to flow freely around. Durable stainless steel construction stands up in high-traffic spaces. Hinged side-access doors on both sides ensure easy servicing.

MATERIAL & CONSTRUCTION DETAILS

INSTALLATION & MAINTENANCE

CONFIGURATIONS	LID & BASE	GRAPHICS	INSTALLATION
<ul style="list-style-type: none"> Individual receptacles can be used on their own for single-stream waste collection or two units can be joined together for dual-stream use. Configurations can be changed on-site as needs evolve. Supplied hardware makes it easy to attach single units or detach joined units at any time. 	<ul style="list-style-type: none"> Two lid options are available: Standard and Recycling. Lid and base are made of corrosion-resistant solid-cast aluminum with powdercoat finish. See the Forms+Surfaces Powdercoat Chart for details. Custom RAL colors are available for an upcharge. Due to the inherent nature of metal castings, gloss powdercoats are not offered for cast components. 	<ul style="list-style-type: none"> Instructional graphics with black, blue, or green backgrounds and white messages and symbols clearly indicate the use for each opening. Graphics are printed on the back of clear, lightly textured polycarbonate, protecting them from wear over time. 	<ul style="list-style-type: none"> Axis may be used freestanding or surface mounted. Single units can be joined for dual-stream use. Connection hardware is included. Anchors, levelers, and stainless steel mounting screws are provided when surface mounting is specified; levelers are supplied for freestanding units.
BODY	SIDE-ACCESS DOORS	LINERS	MAINTENANCE
<ul style="list-style-type: none"> All body panels are stainless steel with one of three finishes: Sandstone, Diamond or Satin. Main panels cover the wide curved sides of the receptacle and the straight flat end; patterns are not applicable. An accent panel covers the narrow curved end and is available with the following perforation patterns: Scape, Morse, Enigma, or Cipher. 	<ul style="list-style-type: none"> Receptacles have two side-access doors; one on either side of the body. Door handles are cast stainless steel. Two stainless steel latch options are available: a standard magnetic latch and a tool-operated security latch. 	<ul style="list-style-type: none"> Axis uses replaceable internal liners designed to be used with or without plastic litter bags. Liners can be specified with tensioned rubber bag straps and drain holes. Liners are molded from durable black polyethylene with a UL94HB fire rating. 	<ul style="list-style-type: none"> Metal surfaces can be cleaned as needed using a soft cloth or brush with warm water and a mild detergent. Avoid abrasive cleaners.

NOMINAL DIMENSIONS



MODEL	OVERALL HEIGHT	OVERALL WIDTH	OVERALL DEPTH	OVERALL WEIGHT	CAPACITY
SLAXS-132	36" (914 mm)	18" (457 mm)	18" (457 mm)	77lbs (35 kg)	32 gallons (121 liters)

T 800.451.0410 | www.forms-surfaces.com

FORMS+SURFACES®

© 2019 Forms+Surfaces® | All dimensions are nominal. Specifications and pricing subject to change without notice. For the most current version of this document, please refer to our website at www.forms-surfaces.com.



AXIS™ LITTER & RECYCLING RECEPTACLE

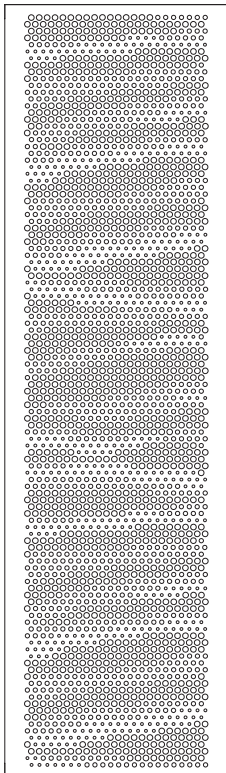
PRODUCT DATA

STANDARD GRAPHICS

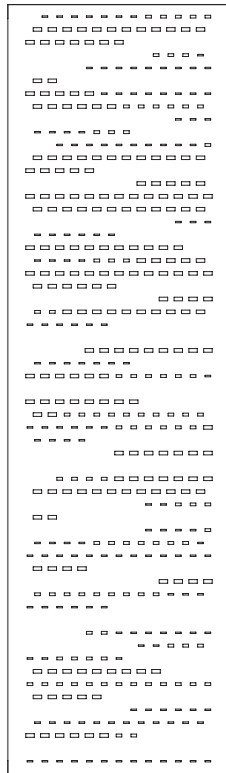
Instructional graphics for Axis lids are available with a variety of messages and colors. All graphics are available with black backgrounds. Recycling, bottles & cans, paper, and compost graphics are also available with blue or green backgrounds to clearly indicate recycling streams. All letters and symbols are white.



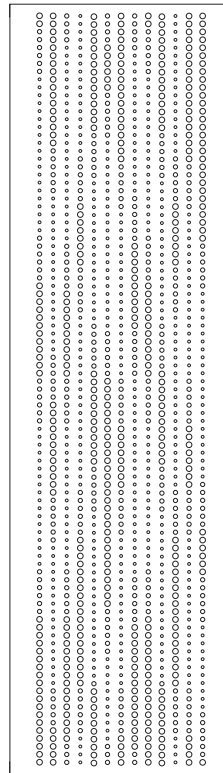
ACCENT PANEL PERFORATION PATTERN OPTIONS



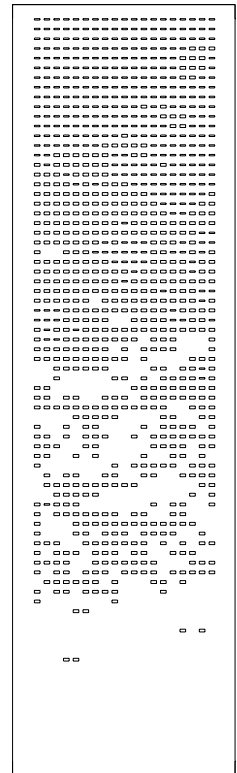
SCAPE



MORSE



ENIGMA



CIPHER



AXIS™ LITTER & RECYCLING RECEPTACLE

PRODUCT DATA

ENVIRONMENTAL CONSIDERATIONS

- Please refer to the Axis Litter & Recycling Receptacle Environmental Data Sheet for detailed environmental impact information.
- Axis has a high recycled content.
- All components are fully recyclable.
- Powdercoat finishes are no- or low-VOC, depending on color.
- Low maintenance.

MODEL NUMBER AND DESCRIPTION

MODEL	DESCRIPTION
SLAXS-132	Axis Receptacle, stainless steel, 32-gallon liner

PRODUCT OPTIONS

The following options are available for an upcharge

Add standard perforation to accent panel	Custom RAL powdercoat color
Premium Texture Colors from Forms+Surfaces Powdercoat Chart	

LEAD TIME: 6 to 8 weeks. Shorter lead times may be available upon request. Please contact us to discuss your specific timing requirements.

PRICING: Please contact us at **800.451.0410** or **sales@forms-surfaces.com**. At Forms+Surfaces, we design, manufacture and sell our products directly to you. Our sales team is available to assist you with questions about our products, requests for quotes, and orders. Territory Managers are located worldwide to assist with the front-end specification and quoting process, and our in-house Project Sales Coordinators follow your project through from the time you place an order to shipment.

TO ORDER SPECIFY: Quantity, main panel, accent panel, lid graphics, freestanding or surface mount. Quote/Order Forms are available on our website to lead you through the specification process in a simple checkbox format.