



DANIEL

SCHEDA TECNICA TECHNICAL FEATURES

ART. COD.

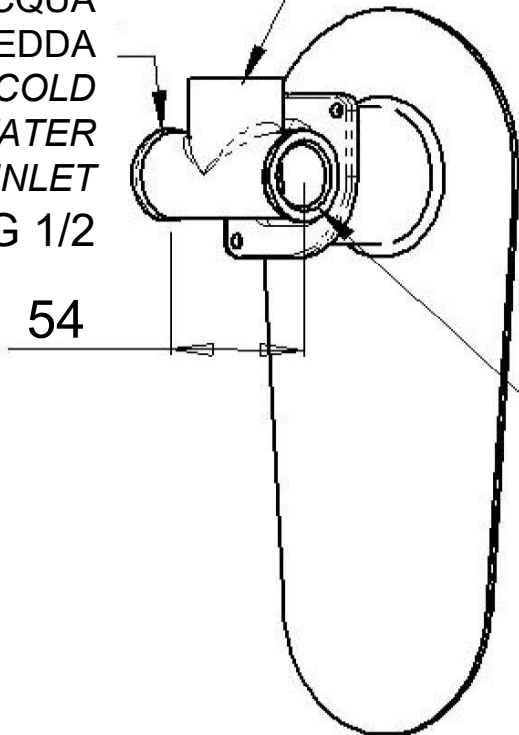
OM602B



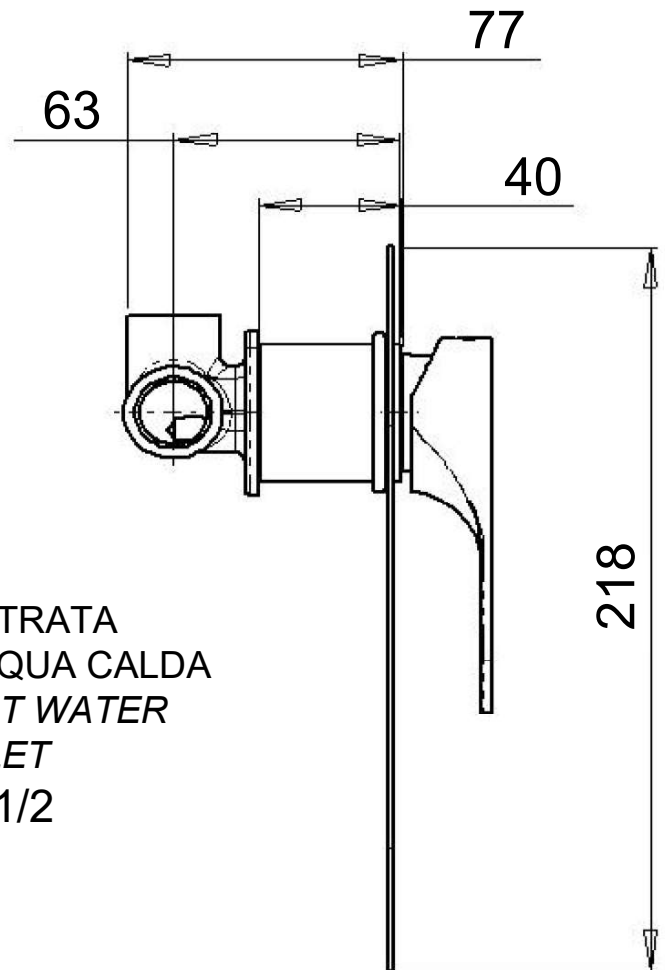
USCITA DOCCIA
SHOWER OUTLET
G 1/2

ENTRATA
ACQUA
FREDDA
COLD
WATER
INLET
G 1/2

54



ENTRATA
ACQUA CALDA
HOT WATER
INLET
G 1/2



MATERIALI / MATERIALS

OTTONE CROMATO / CHROME PLATED BRASS

CROMATURA / CHROME PLATING

UNI EN 248