



DISPATCH™ LITTER & RECYCLING RECEPTACLE

PRODUCT DATA





DISPATCH™ LITTER & RECYCLING RECEPTACLE

PRODUCT DATA

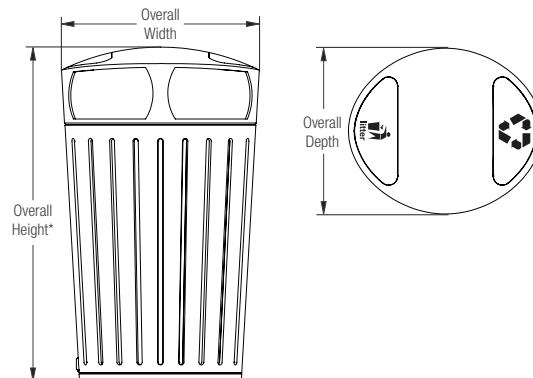
Dispatch combines distinctive design, robust materials and a versatile array of waste stream management options. Receptacles are made of heavy cast aluminum with a hinged side-access door for easy servicing. Available with 36- and 45-gallon capacities in single-stream and split-stream versions, openings can be configured for the following: litter-only, bottles & cans-only, paper-only, or for combined litter and recycling. Attractive, durable and highly adaptable, Dispatch is an ideal litter and recycling solution for any public space.

MATERIAL & CONSTRUCTION DETAILS

INSTALLATION & MAINTENANCE

BODY AND LID	CONFIGURATION OPTIONS	LID GRAPHICS	BASES & INSTALLATION
<ul style="list-style-type: none"> Body and lid are made of solid cast aluminum with a powdercoat finish. See the Forms+Surfaces Powdercoat Chart for details. Custom RAL colors are available for an upcharge. Due to the inherent nature of metal castings, gloss powdercoats are not offered for cast components. 	<ul style="list-style-type: none"> Receptacles are available in 36- and 45-gallon configurations. Single-stream receptacles use a single 36- or 45-gallon liner. Split-stream configurations are divided by an internal baffle plate to create two separate litter and/or recycling streams. 36-gallon receptacles use two 16-gallon half liners; 45-gallon receptacles use two 20-gallon half liners. 	<ul style="list-style-type: none"> Instructional graphics are applied to two sign plates, which are mechanically fastened to the top of each lid. Sign plates are stainless steel with a Satin finish; instructional graphics are black vinyl. 	<ul style="list-style-type: none"> Receptacles can be used freestanding with a TENSL ultra high performance concrete (UHPC) base or surface mounted with or without a TENSL UHPC base. Anchors and stainless steel mounting screws are provided for surface mounting.
RECYCLING OPENINGS	SIDE ACCESS DOOR AND LATCH	LINERS	MAINTENANCE
<ul style="list-style-type: none"> Openings can be limited to a particular type of recyclable. Along with the standard full litter opening, round bottles & cans and slotted paper openings are available. See details on page 2. 	<ul style="list-style-type: none"> Receptacle opens in a clamshell fashion with half of the cast body serving as a swing-out door. Two stainless steel latch options are available: lift lever or screwdriver-operated recessed access. 	<ul style="list-style-type: none"> Both single-stream and split-stream receptacles use independent, replaceable internal liners designed to be used with or without plastic litter bags. Liners are molded from durable black polyethylene with UL94HB fire rating. 	<ul style="list-style-type: none"> Metal and TENSL UHPC surfaces can be cleaned as needed using a soft cloth or brush with warm water and a mild detergent. Avoid abrasive cleaners.

NOMINAL DIMENSIONS



MODEL	OVERALL HEIGHT*	OVERALL WIDTH	OVERALL DEPTH	WEIGHT	INTERNAL CAPACITY
SLDIS-136	43.0" (1092 mm)	25.5" (648 mm)	21.8" (554 mm)	112 lbs (50 kg)	36 gallons (136 liters)
SLDIS-216	43.0" (1092 mm)	25.5" (648 mm)	21.8" (554 mm)	112 lbs (50 kg)	32 (2 x 16) gallons (121 liters)

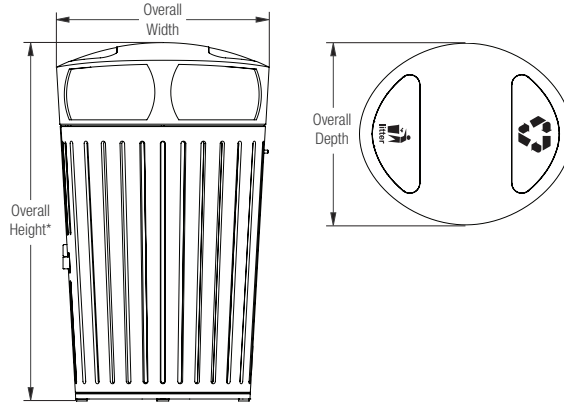
*NOTE: TENSL UHPC base adds 3" to overall height.



DISPATCH™ LITTER & RECYCLING RECEPTACLE

PRODUCT DATA

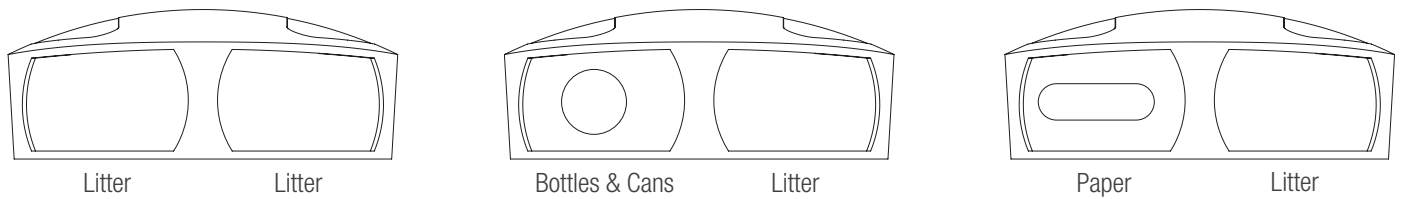
NOMINAL DIMENSIONS (Continued)



MODEL	OVERALL HEIGHT*	OVERALL WIDTH	OVERALL DEPTH	WEIGHT	INTERNAL CAPACITY
SLDIS-145	45.3" (1151 mm)	26.8" (681 mm)	22.9" (582 mm)	125 lbs (57 kg)	45 gallons (170 liters)
SLDIS-220	45.3" (1151 mm)	26.8" (681 mm)	22.9" (582 mm)	125 lbs (57 kg)	40 (2 x 20) gallons (150 liters)

*NOTE: TENSL UHPC base adds 3" to overall height.

LID OPENING OPTIONS



OPENING	DIMENSIONS (36 GALLON)	DIMENSIONS (45 GALLON)
Litter	13" (330 mm) x 6.5" (165 mm)	13.75" (349 mm) x 7.0" (178 mm)
Bottles & Cans	4.5" (114 mm) x 4.5" (114 mm)	4.5" (114 mm) x 4.5" (114 mm)
Paper	8.0" (203 mm) x 2.5" (63 mm)	8.0" (203 mm) x 2.5" (63 mm)

STANDARD GRAPHICS





DISPATCH™ LITTER & RECYCLING RECEPTACLE

PRODUCT DATA

ENVIRONMENTAL CONSIDERATIONS

- Please refer to the Dispatch Environmental Data Sheet for detailed environmental impact information.
- Dispatch Receptacle has up to 90% recycled content.
- All components are fully recyclable.
- Rustproof cast aluminum construction ensures a long product life cycle.
- Standard powdercoat finishes are no-VOC; non-standard powdercoat finishes are no- or low-VOC, depending on color.
- Low maintenance and easy to disassemble.

MODEL NUMBERS AND DESCRIPTIONS

MODEL	DESCRIPTION
SLDIS-136	Dispatch Receptacle, 36-gallon, single-stream, one 36-gallon liner
SLDIS-216	Dispatch Receptacle, 36-gallon, split-stream, two 16-gallon half liners
SLDIS-145	Dispatch Receptacle, 45-gallon, single-stream, one 45-gallon liner
SLDIS-220	Dispatch Receptacle, 45-gallon, split-stream, two 20-gallon half liners

PRODUCT OPTIONS

The following options are available for an upcharge

Premium Texture Colors from Forms+Surfaces Powdercoat Chart	Add TENSU UHPC base
Custom RAL powdercoat color	Add recycling openings

LEAD TIME: 6 to 8 weeks. Shorter lead times may be available upon request. Please contact us to discuss your specific timing requirements.

PRICING: Please contact us at **800.451.0410** or **sales@forms-surfaces.com**. At Forms+Surfaces, we design, manufacture and sell our products directly to you. Our sales team is available to assist you with questions about our products, requests for quotes, and orders. Territory Managers are located worldwide to assist with the front-end specification and quoting process, and our in-house Project Sales Coordinators follow your project through from the time you place an order to shipment.

TO ORDER SPECIFY: Quantity, model, powdercoat color(s), lid graphics, recycle openings (optional), latch option, freestanding or surface mount, with or without concrete base. Quote/Order Forms are available on our website to lead you through the specification process in a simple checkbox format.