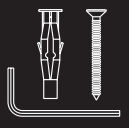


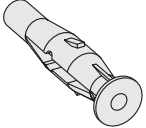
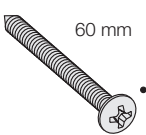

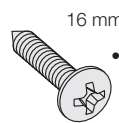
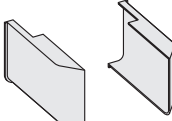
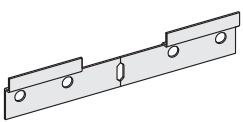
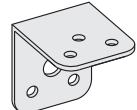
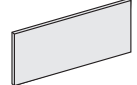


# LAUFEN

4.0125.1/2 / 4.0130.1/2 / 4.0135.1/2/3/4 / 4.0140.1/2

## CASE for Palace



<b>B</b>		Art. Nr. 4.0125.1/2..... x <b>6</b>
		4.0130.1/2..... x <b>10</b>
		4.0135.1/2..... x <b>10</b>
		4.0135.3/4..... x <b>10</b>
		4.0140.1/2..... x <b>10</b>
<b>C</b>		Art. Nr. 4.0125.1/2..... x <b>6</b>
		4.0130.1/2..... x <b>10</b>
		4.0135.1/2..... x <b>10</b>
		4.0135.3/4..... x <b>10</b>
		4.0140.1/2..... x <b>10</b>
<b>D</b>		x <b>2</b>
<b>I</b>		x <b>4</b>
<b>N</b>		Art. Nr. 4.0125.1/2..... x <b>1</b>
		4.0130.1/2..... x <b>2</b>
		4.0135.1/2..... x <b>2</b>
		4.0135.3/4..... x <b>2</b>
		4.0140.1/2..... x <b>2</b>
<b>Aa</b>		Art. Nr. 4.0125.1/2..... x <b>1</b>
		4.0130.1/2..... x <b>2</b>
		4.0135.1/2..... x <b>2</b>
		4.0135.3/4..... x <b>2</b>
		4.0140.1/2..... x <b>2</b>
<b>Ab</b>		x <b>2</b>
<b>Aq</b>		Art. Nr. 4.0125.1/2..... x <b>0</b>
		4.0130.1/2..... x <b>4</b>
		4.0135.1/2..... x <b>4</b>
		4.0135.3/4..... x <b>4</b>
		4.0140.1/2..... x <b>4</b>