

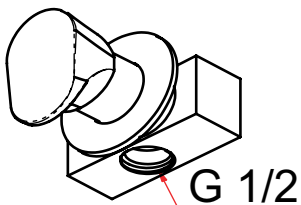
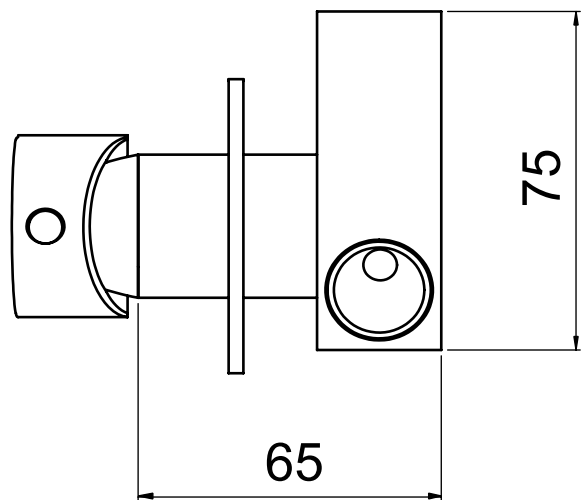
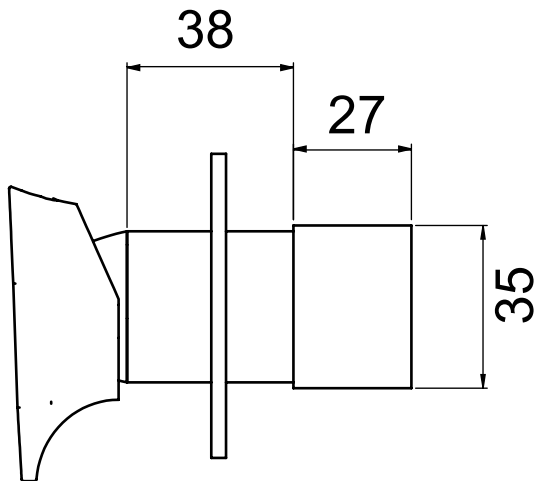
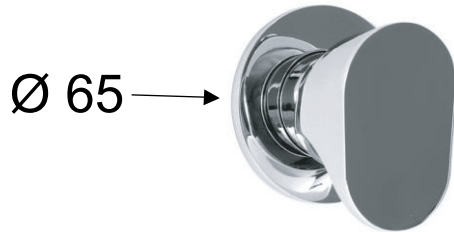


DANIEL

SCHEDA TECNICA TECHNICAL FEATURES

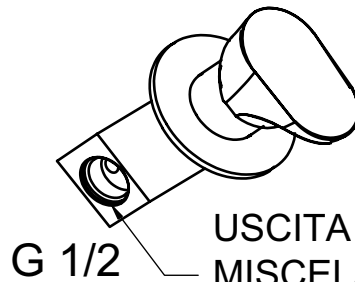
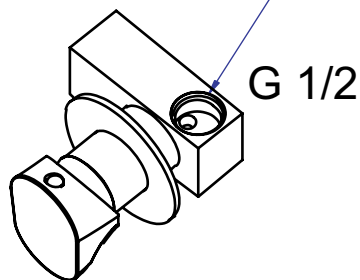
ART. COD.

OM646



ACQUA CALDA
HOT WATER

ACQUA FREDDA
COLD WATER



USCITA ACQUA
MISCELATA
MIXED WATER OUTLET

MATERIALI / MATERIALS

OTTONE CROMATO / CHROME PLATED BRASS

CROMATURA / CHROME PLATING

UNI EN 248