

## Accessories OMEGA - Ring

### Product Information

- Code: 23498
- Kit of product: Ring
- Catalogue: General catalogue
- Family: Omega
- Dimensions: 200 x 200 x 80 mm
- Materials Chrome brass
- Finishes:
  - Shine chrome

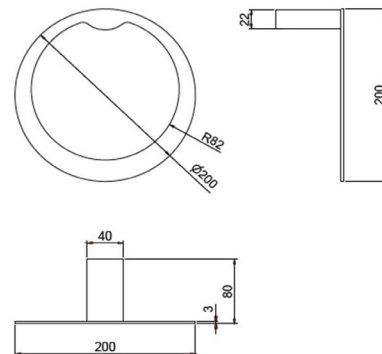


### Finishes



Shine chrome

### Dimensions



200 X 200 X 80 mm