



TRIAD™ LITTER & RECYCLING RECEPTACLE

PRODUCT DATA





TRIAD™ LITTER & RECYCLING RECEPTACLE

PRODUCT DATA

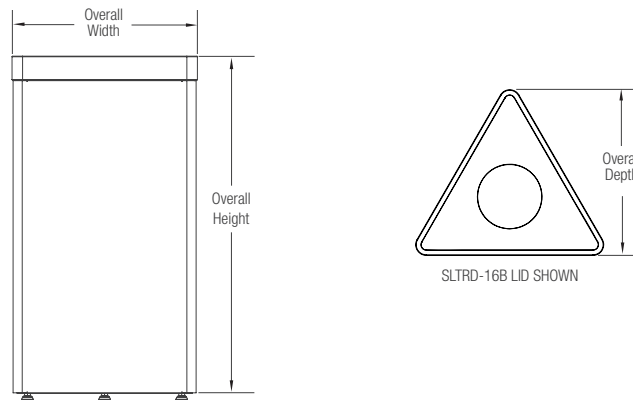
The **Triad Receptacle** offers a distinctive and versatile modular solution for public space litter collection and recycling. Available in 16-gallon triangular and 24-gallon trapezoidal shapes, receptacles can be used alone or may be arranged together in attractive, geometric groupings. Triad's à la carte approach makes it ideal for projects where varying types and quantities of waste/recycle streams must be accommodated.

MATERIAL & CONSTRUCTION DETAILS

INSTALLATION & MAINTENANCE

CONFIGURATIONS	BODY & LID	LID OPENINGS & GRAPHICS	LINERS	INSTALLATION	MAINTENANCE
<ul style="list-style-type: none"> Triad Receptacles are available in top-opening configurations with 16-gallon triangular or 24-gallon trapezoidal bodies. 	<ul style="list-style-type: none"> Stainless steel body comes standard in Sandstone, Linen, Diamond, and Satin finishes. Standard lids are molded from polyethylene with a UL94HB fire rating and are available with a light texture in black, blue, and green. 	<ul style="list-style-type: none"> Lids feature different top openings and include instructional graphics with black, blue, or green backgrounds, and white messages and symbols, clearly indicating the use for each opening. Graphics are printed on the back of clear, lightly textured polycarbonate, protecting them from wear over time. 	<ul style="list-style-type: none"> Triad uses replaceable internal liners designed to be used with or without plastic litter bags. Liners are molded from durable black polyethylene with a UL94HB fire rating. 	<ul style="list-style-type: none"> Receptacles may be used freestanding or surface mounted. Anchors and stainless steel mounting screws are provided when surface mounting is specified; levelers are supplied for freestanding units. 	<ul style="list-style-type: none"> Surfaces can be cleaned as needed using a soft cloth or brush with warm water and a mild detergent. Avoid abrasive cleaners.

16-GALLON NOMINAL DIMENSIONS



DESCRIPTION	OVERALL HEIGHT	OVERALL WIDTH	OVERALL DEPTH	OVERALL WEIGHT
16-gallon (61 liters), triangular body	31.9" (813 mm)	17.6" (447 mm)	15.5" (394 mm)	39.6 lbs (18.0 kg)

16-GALLON LIDS

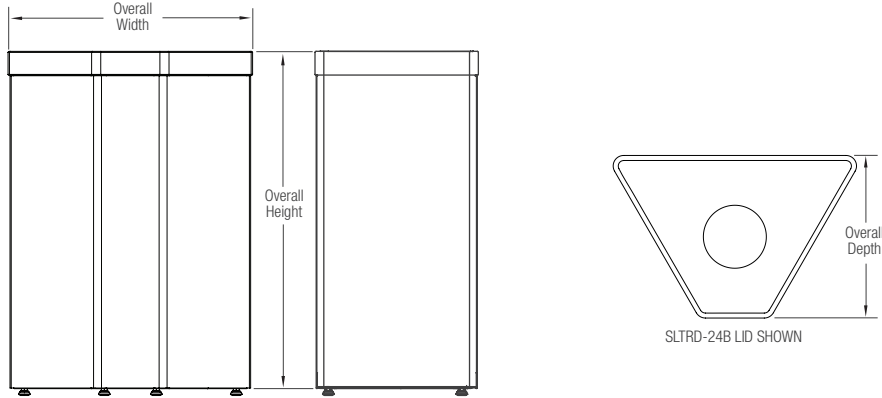
MODEL	SLTRD-16B	SLTRD-16L	SLTRD-16P
TOP VIEW			
OPENING	6" (152 mm) diameter opening	8" (203 mm) diameter opening	9.5" (241 mm) triangular opening



TRIAD™ LITTER & RECYCLING RECEPTACLE

PRODUCT DATA

24-GALLON NOMINAL DIMENSIONS

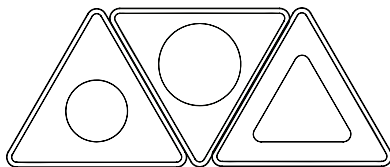


DESCRIPTION	OVERALL HEIGHT	OVERALL WIDTH	OVERALL DEPTH	OVERALL WEIGHT
24-gallon (91 liters), trapezoidal body	31.9" (813 mm)	23.0" (584 mm)	15.5" (394 mm)	49.5 lbs (22.5 kg)

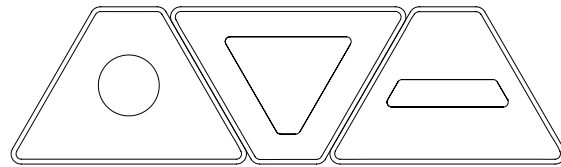
24-GALLON LIDS

MODEL	SLTRD-24B	SLTRD-24L	SLTRD-24P
TOP VIEW			
OPENING	6" (152 mm) diameter opening	12.4" x 9.6" (315 x 244 mm) trapezoidal opening	12.0" x 2.7" (305 x 69 mm) paper slot

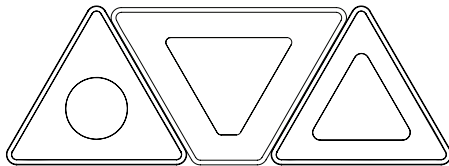
SAMPLE CONFIGURATIONS



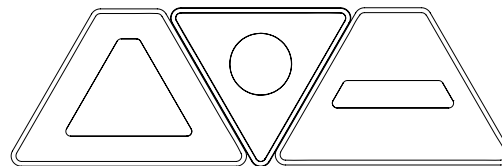
LEFT TO RIGHT: SLTRD-16B, SLTRD-16L, & SLTRD-16P



LEFT TO RIGHT: SLTRD-24B, SLTRD-24L, & SLTRD-24P



LEFT TO RIGHT: SLTRD-16B, SLTRD-24L, & SLTRD-16P



LEFT TO RIGHT: SLTRD-24L, SLTRD-16B, SLTRD-24P



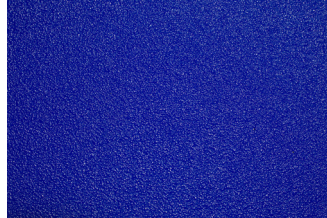
TRIAD™ LITTER & RECYCLING RECEPTACLE

PRODUCT DATA

POLYETHYLENE LID COLORS



BLACK



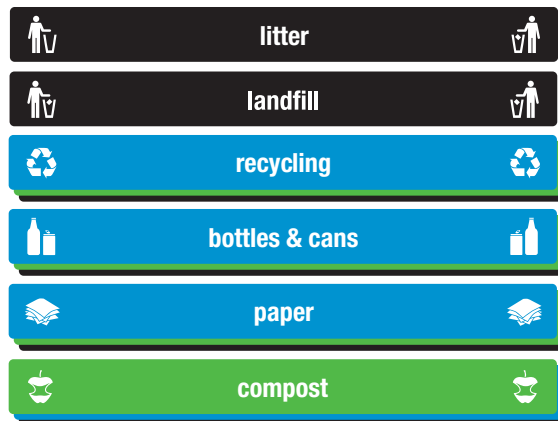
BLUE



GREEN

STANDARD GRAPHICS

All graphics are available with black backgrounds. Recycling, bottles & cans, paper, and compost graphics are also available with blue or green backgrounds to clearly indicate recycling streams. All letters and symbols are white.



NOTE: Blue and green background colors are not intended to match blue and green lid colors. Graphics with black backgrounds are recommended when selecting blue or green lids.

STAINLESS STEEL BODY FINISH OPTIONS

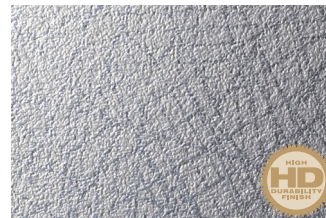
Stainless steel is available in a variety of distinctive finishes, including standard and High-Durability options. High-Durability finishes—designated by the “HD” logo below—are manufactured in a process that creates a work-hardened surface with enhanced resistance to abrasion and wear.



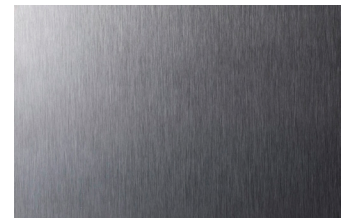
SANDSTONE



LINEN



DIAMOND



SATIN



TRIAD™ LITTER & RECYCLING RECEPTACLE

PRODUCT DATA

ENVIRONMENTAL CONSIDERATIONS

- Please refer to the Triad Receptacle Environmental Data Sheet for detailed environmental impact information.
- Triad has up to 66% recycled content.
- All components are fully recyclable.
- Stainless steel construction ensures a long product life cycle.
- Low maintenance.

MODEL NUMBERS AND DESCRIPTIONS

MODEL	DESCRIPTION
SLTRD-16B	Triad Receptacle, 16-gallon, 6" diameter opening
SLTRD-16L	Triad Receptacle, 16-gallon, 8" diameter opening
SLTRD-16P	Triad Receptacle, 16-gallon, triangular opening
SLTRD-24B	Triad Receptacle, 24-gallon, 6" diameter opening
SLTRD-24L	Triad Receptacle, 24-gallon, trapezoidal opening
SLTRD-24P	Triad Receptacle, 24-gallon, paper slot

LEAD TIME: 6 to 8 weeks. Shorter lead times may be available upon request. Please contact us to discuss your specific timing requirements.

PRICING: Please contact us at **800.451.0410** or **sales@forms-surfaces.com**. At Forms+Surfaces, we design, manufacture and sell our products directly to you. Our sales team is available to assist you with questions about our products, requests for quotes, and orders. Territory Managers are located worldwide to assist with the front-end specification and quoting process, and our in-house Project Sales Coordinators follow your project through from the time you place an order to shipment.

TO ORDER SPECIFY: Quantity, model, stainless steel finish, lid color, lid graphics, liner with or without drain holes, freestanding or surface mount. Quote/Order Forms are available on our website to lead you through the specification process in a simple checkbox format.

NOTE: Because different computers will render colors and textures differently, actual colors and finishes may vary from those shown here.