

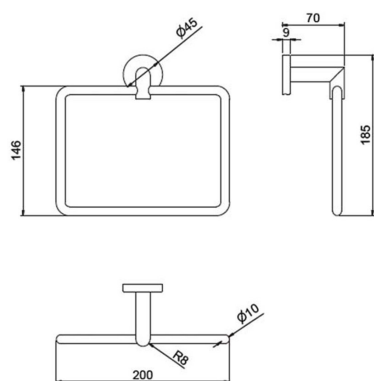
## Ring - SIL

## Product Information

- Code: 12791
- Kind of product: Ring
- Catalogue: ECOLine
- Family: SIL
- Dimensions: 200x185x70 mm
- Materials: Zamak and chrome brass
- Finishes: chrome



## Dimensions



200 x 185 x 70 mm