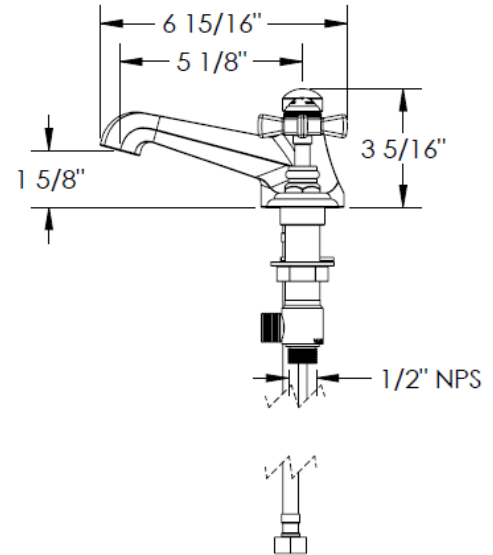
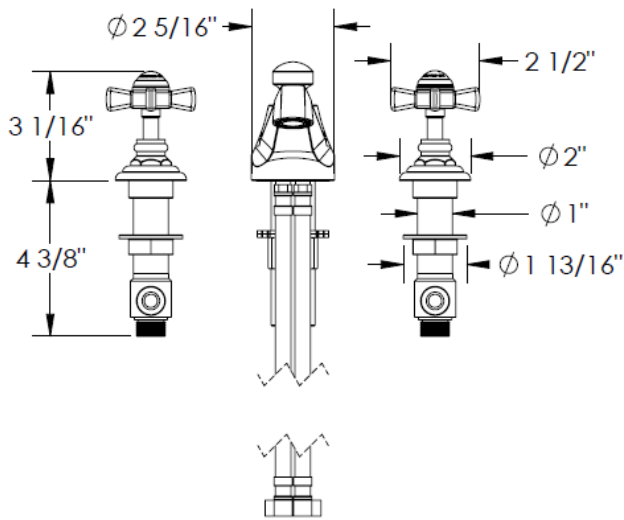


### FEATURES

- ¼ turn washerless ceramic disc valve cartridges
- Flexible hose connection for 8" to 16" spread installations
- Flow rate 1.5 gpm (5.7 lpm) maximum flow rate
- Solid brass construction
- Listed by IAPMO, CSA, NSF, and other municipalities
- Warranty:
  - Limited lifetime warranty (residential use)
  - One year (commercial use)
- Shipping weight (lbs.) 10
- Shipping dimensions (in.): 29x12x4

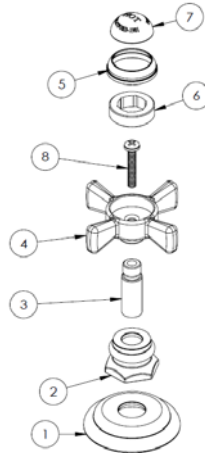


Exploded view diagram of the Gramercy Widespread Lavatory Set with numbered callouts 1 through 15.

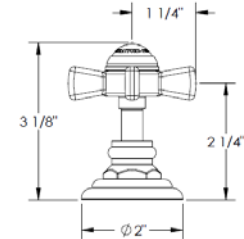
ITEM NO.	PART NUMBER	QTY.
1	312-2-SPT	1
2	SPT-MNTNG-KIT-2-WSHR	1
3	SPT-MNTNG-KIT-2-RBBR-WSHR	1
4	SPT-MNTNG-KIT-1-SCRW	2
5	SPT-MNTNG-KIT-1-NUT	2
6	SPPLY-HOSE-0.5-14-NPS	2
8	501-LIFT-ROD	1
10	AS568 - 33	1
11	Neoperl Cache Aerator	1
12	142-LOCK-NUT	2
13H/13C	SS-502 Valve Body	2
14H/14C	SS-502 Cartridge	2
15	L4-TOP-LOCK-NUT	2

### HANDLE TRIMS

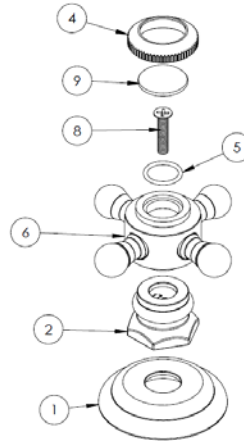
#### Preston (Code: S1)



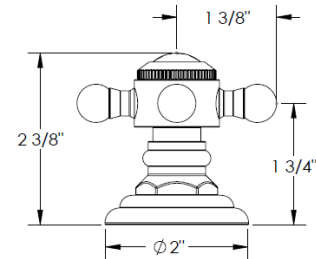
ITEM NO.	PART NUMBER	QTY.
1	S1-ESC	1
2	S1-ESC-NUT	1
3	S1-STEM	1
4	S1-HNDL-(COLD/HOT)	1
5	S1-CAP-RING	1
6	S1-CAP-ADAP	1
7	S1-PRCLN-INSRT-(PLN/COLD/HOT)	1
8	CR-PHMS 0.164-32x1x1-S	1



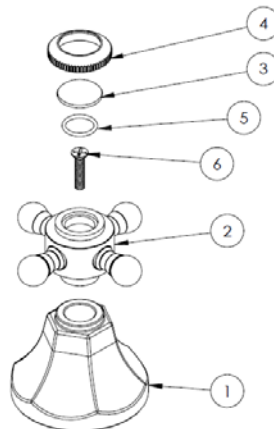
#### Wales (Code: V)



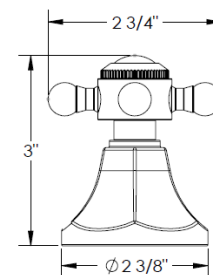
ITEM NO.	PART NUMBER	QTY.
1	S1-ESC	1
2	S1-ESC-NUT	1
4	X-CAP-RING	1
5	AS568 - 014	1
6	V-POST	1
8	CR-FHM1 0.164-32x0.75x0.75-S	1
9	X-PRCLN-INSRT-PLN	1



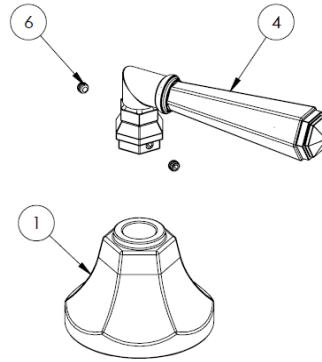
#### Oxford (Code: X)



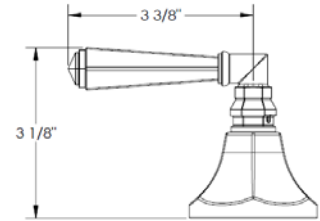
ITEM NO.	PART NUMBER	QTY.
1	X-ESC	1
2	X-POST	1
3	X-PRCLN-INSRT-(PLN/COLD/HOT)	1
4	X-CAP-RING	1
5	AS568 - 014	1
6	CR-FHMS 0.164-32x0.75x0.75-S	1



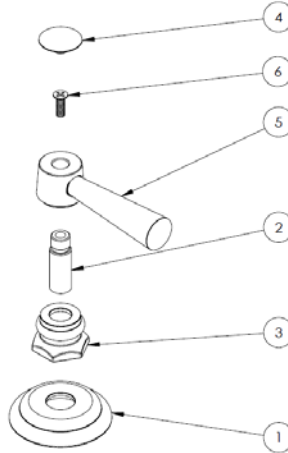
### Lyons (Code: Y)



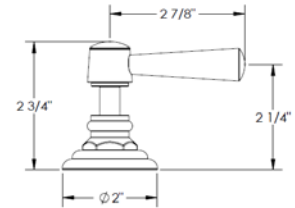
ITEM NO.	PART NUMBER	QTY.
1	X-ESC	1
4	Y-LVR-INSRT	1
6	SSCUPSKT 0.164-32x0.125-HX-S	2



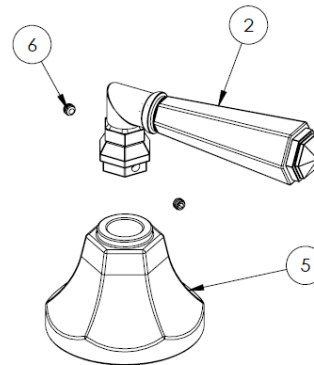
### Williams (Code: Y2)



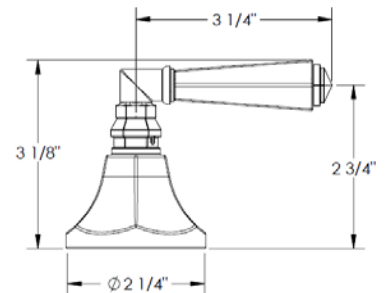
ITEM NO.	PART NUMBER	QTY.
1	S1-ESC	1
2	S1-STEM	1
3	S1-ESC-NUT	1
4	SA1-POST-CAP	1
5	SA1-LVR	1
6	CR-FHM1 0.164-32x0.5x0.5-S	1



### Cambridge (Code: Z)



ITEM NO.	PART NUMBER	QTY.
2	Z-PRCLN-LVR-INSRT	1
5	X-ESC	1
6	SSCUPSKT 0.164-32x0.125-HX-S	2



**IMPORTANT INSTALLATION INFORMATION**

- USE TEFLON TAPE OR PIPE SEALANT FOR THREADED CONNECTIONS
- DO NOT USE PLUMBER'S PUTTY ON ANY OF THE BRASS COMPONENTS  
This will cause the finish to tarnish and void the warranty. A non-corrosive Alkoxy Silicone is recommended.
- DURING SWEATING OF LINES DO NOT OVERHEAT CASTING  
Overheating may cause damage to internal mechanism
- COPPER ADAPTORS MAY BE REQUIRED TO COMPLETE YOUR INSTALLATION

**For technical support, please call 718-257-2800**

Rev. 1/1