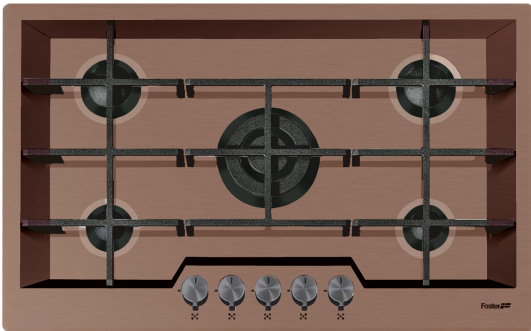


## Cooker hob KE Copper 7601 866

Cooker hobs

Code: 7601 866



### DETAILS

Coloring	Copper
Finish	PVD
Material	AISI 304 stainless steel
Texture	Satin
Supply	220-240 V; 50.60 Hz
Edge/Installation Type	Flush-mount   Top-mount
Dimensions	803x513 mm
Base size	80cm
Heating element	Five burners

Built-in hole	View technical data sheet (for all Flush-mount / Top-mount models and Under-mount models)
Grids	Cast iron grills, Gun metal burners and enamelled burner covers
Total power	9.500 W
Auxiliary	2x1.100 W
Semirapid	2x1.750 W
Triple crown	3.800 W
Safety	Safety valve with quick-acting thermocouple
Ignition	Electric ignition under knob
Gas type	Tested for installation with natural gas, LPG nozzle set included.
Type	Gas Hob

## FEATURES

Copper	The Copper finish is obtained by treating steel with a physical process called PVD (Physical Vacuum Deposition) which deposits particles of noble metals on the surface. The result is a unique and refined aesthetic effect, and an improvement of the mechanical properties of the steel which is more resistant to impact and scratches.
Cast iron grids	Cast-iron is the ideal material for an hob grid, this due to the manifold properties characterising it: high heat capacity that improves cooking performance; high weight and stability that improve safety; sturdiness that preserves the hob's original aspect over time; easy cleaning.

## lil series burners

lil series burners: 20% gas savings. They guarantee an efficiency well above the European standards. Furthermore, the improved combustion of gas allows the development of higher powers. From the point of view of safety, the blocking system between the cover and the flame-spreader guarantees perfect positioning and greater ease of cleaning.

---

## Inclined recess

A deep and inclined recess houses the burners and grigs, allowing to create a single work surface. The inclination also makes it extremely easy to clean the edges.

---

## Safe cooking

All Foster cooker hobs are equipped with safety valves. They shut off the gas supply very quickly if the flame accidentally goes out.

---

## Special burners

Many Foster hobs are equipped with special burners, with two or three rings of fire that greatly increase the power delivered and the heated surface. In the DUAL models the two fire crowns also have independent ignition, making these burners perfect for both intensive and delicate cooking.

---

## Ultra-flat hob

Design meets functionality in the the ultra-flat models. Elegant grids that form a generously sized overall surface.

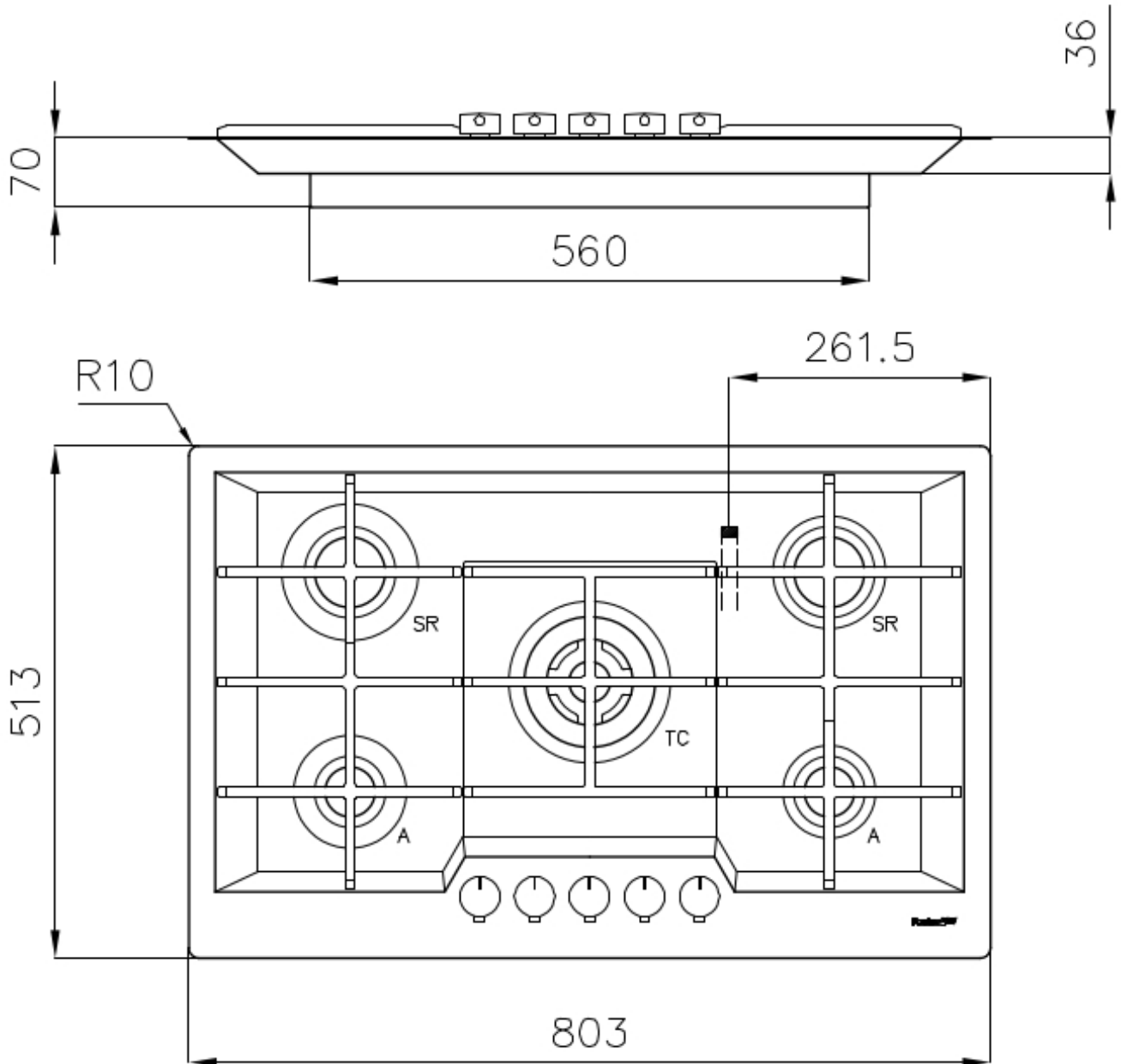
---

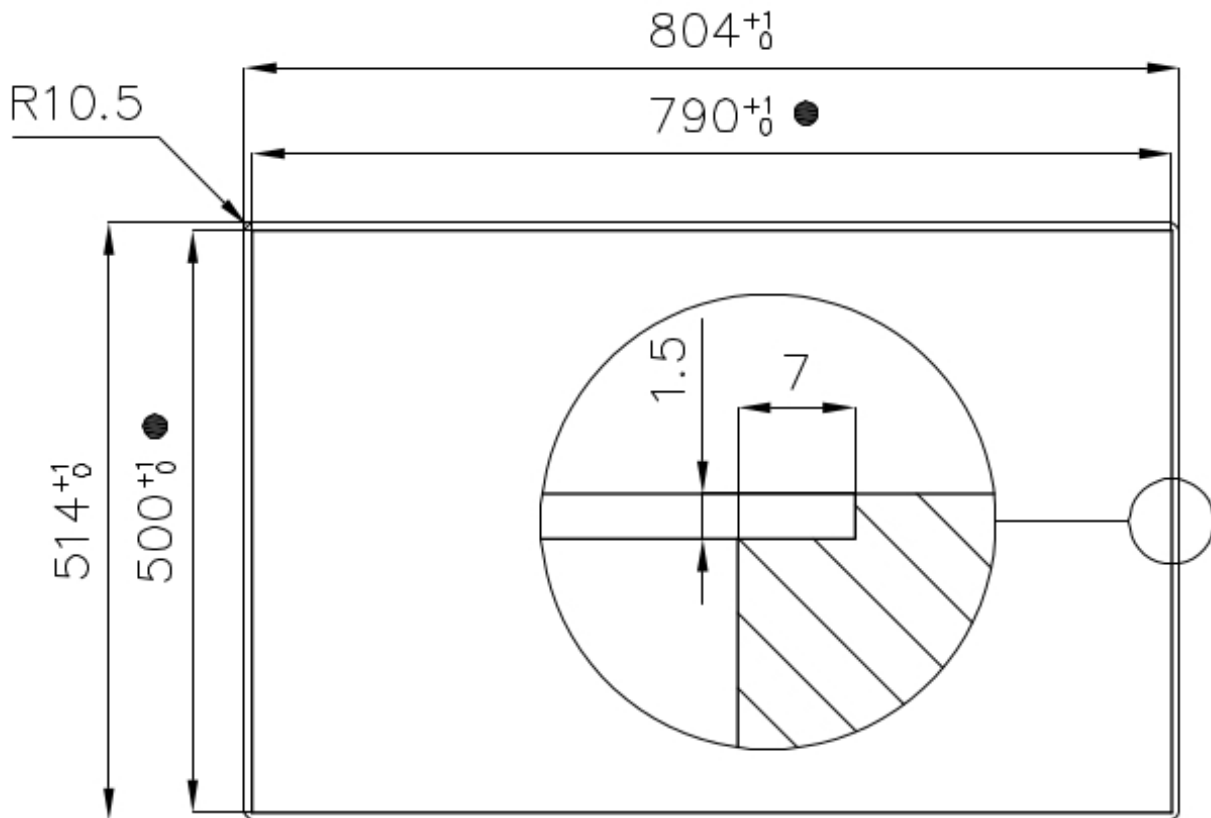
## Under-knob ignition

The utmost freedom of movement with electronic under-knob ignition, a common feature of all models that allows a one-hand ignition of the burner.

---

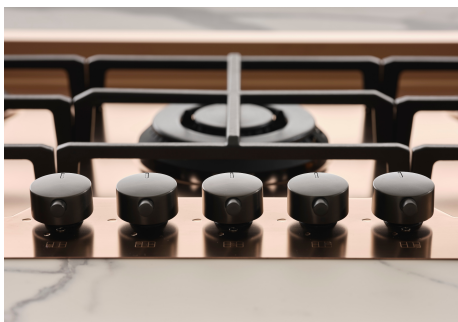
## TECHNICAL DATA





- Built-in cut out for FTS – Foratura per installazione FTS

## GALLERY



## OPTIONAL ACCESSORIES

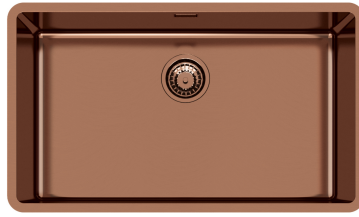


Cast iron wok support 9601 727

## RECOMMENDED PAIRINGS



Hood Amélie 2447 090



Sink KE Copper 2157 858