

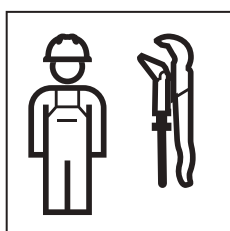


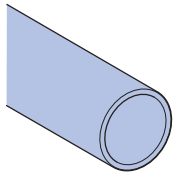
INSTALLATION MANUAL

MONTAGEANLEITUNG
INSTRUCTIONS DE MONTAGE
ISTRUZIONI PER IL MONTAGGIO

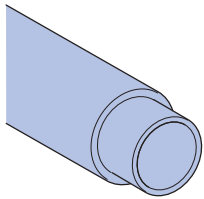


965.739.00.0(02)





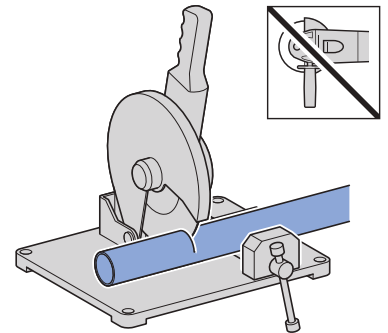
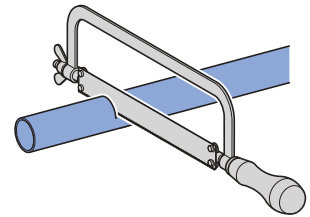
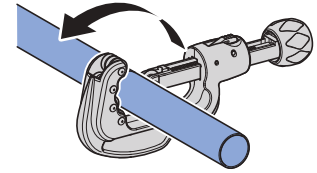
→ **1** **A**  2



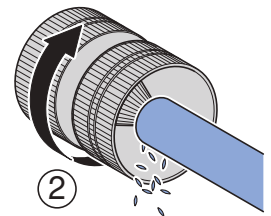
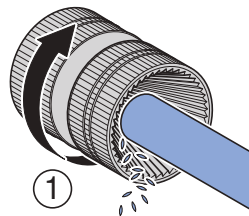
→ **1** **B**  4



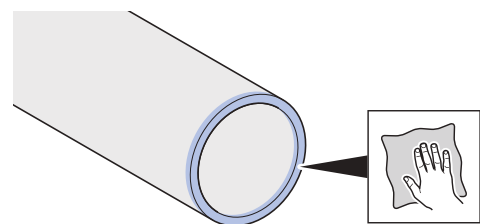
1



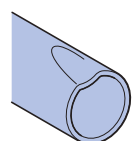
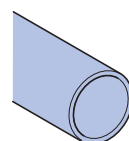
2



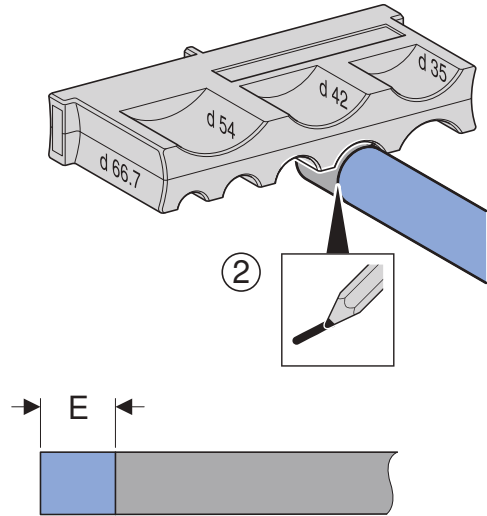
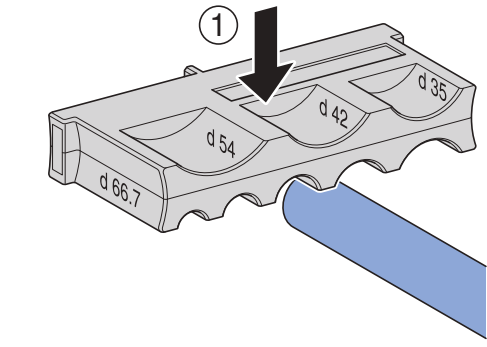
3



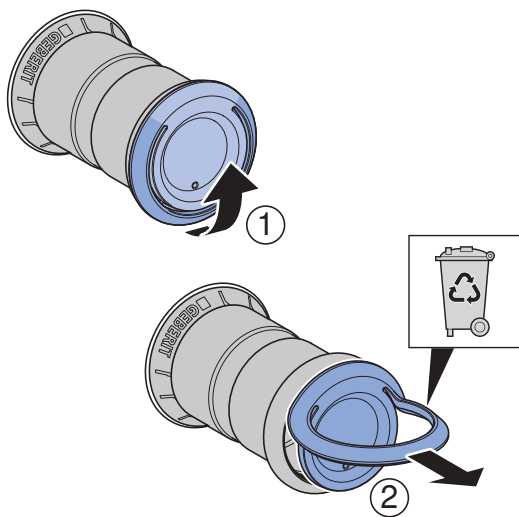
4



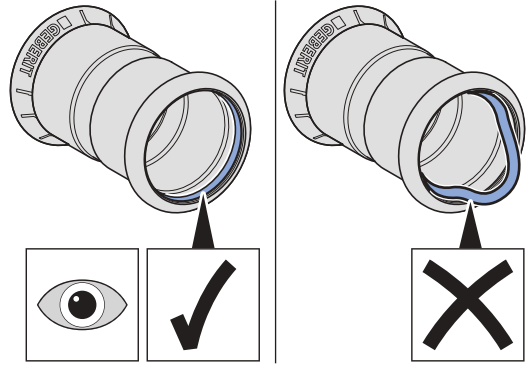
5



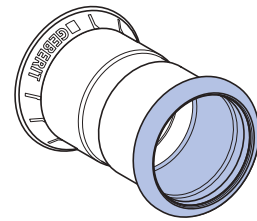
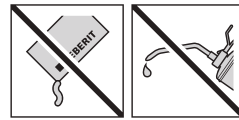
6



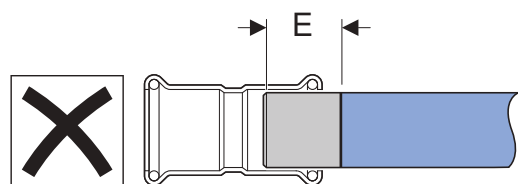
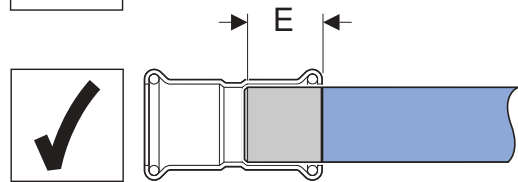
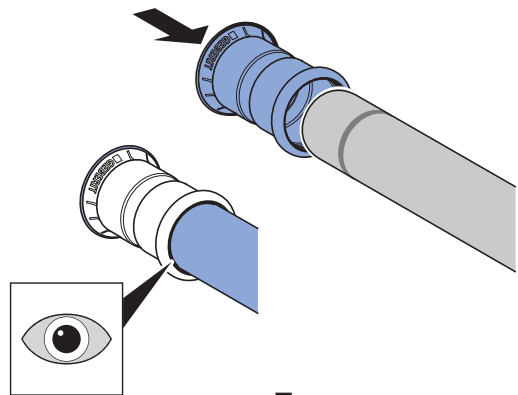
7



i



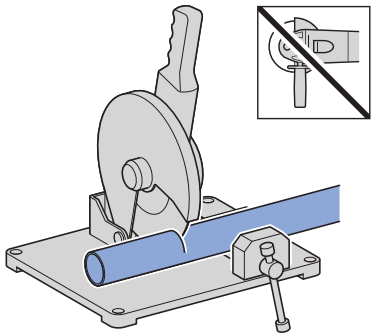
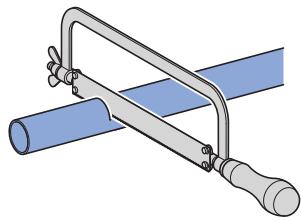
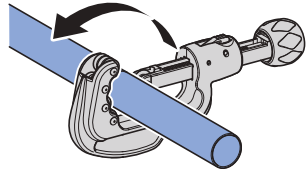
8



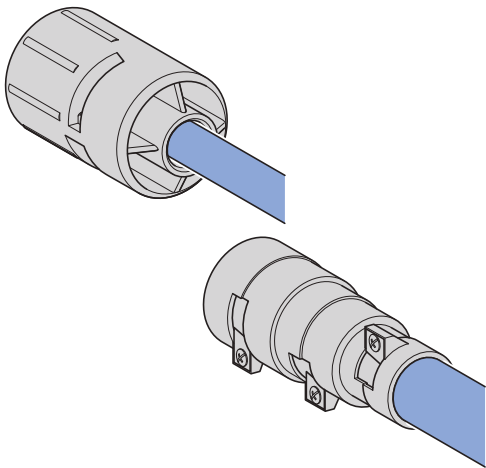
→ 2 6

1 B

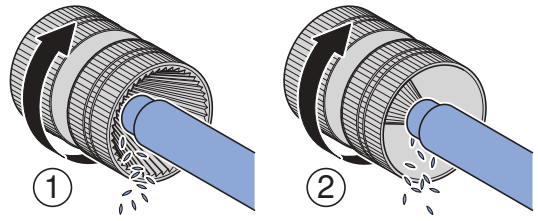
1



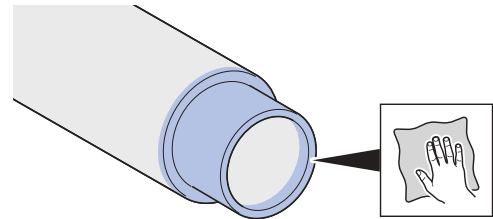
2



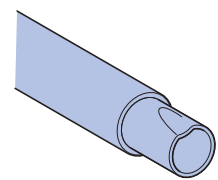
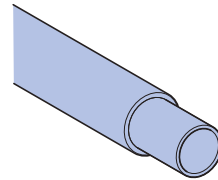
3



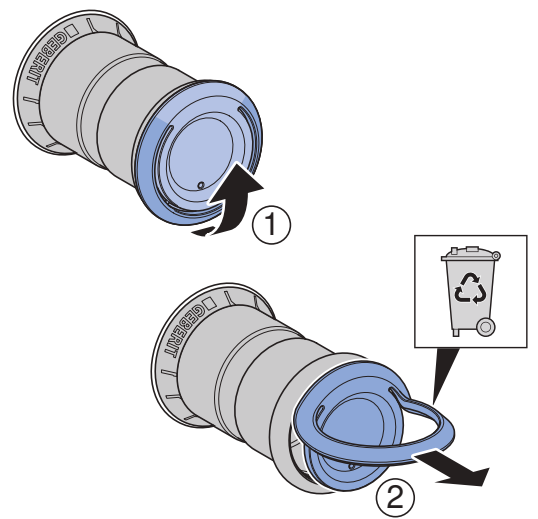
4



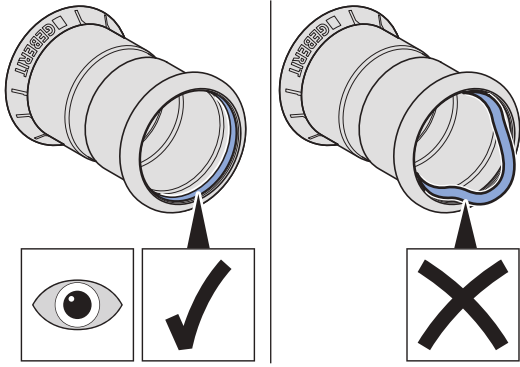
5



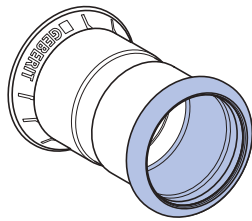
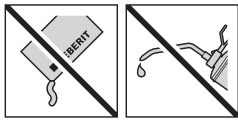
6



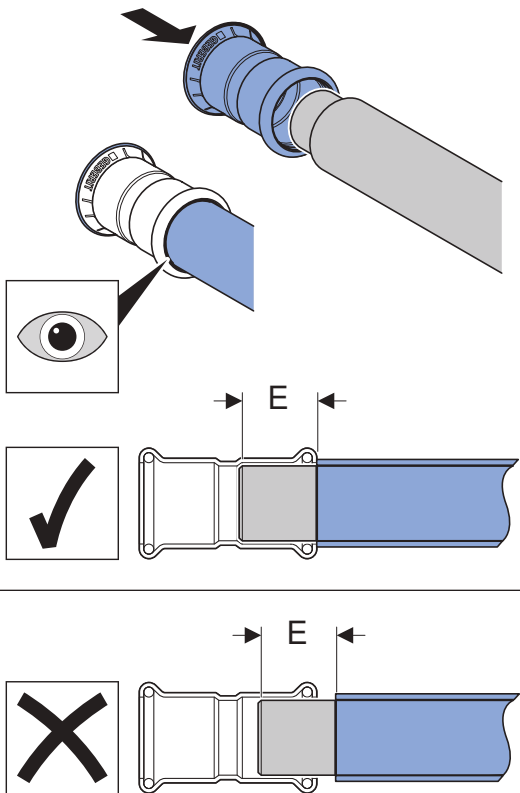
7



i



8



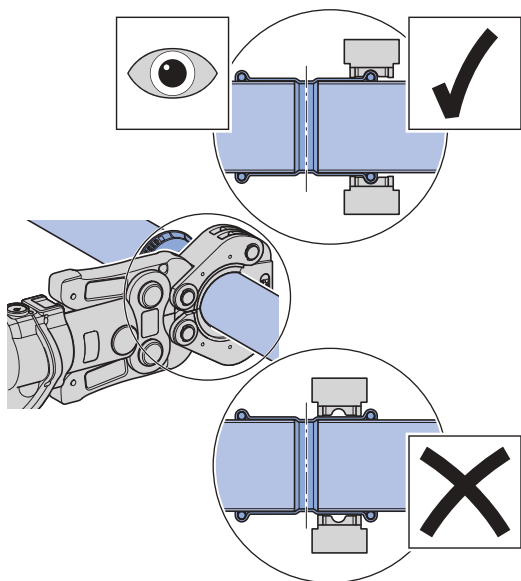
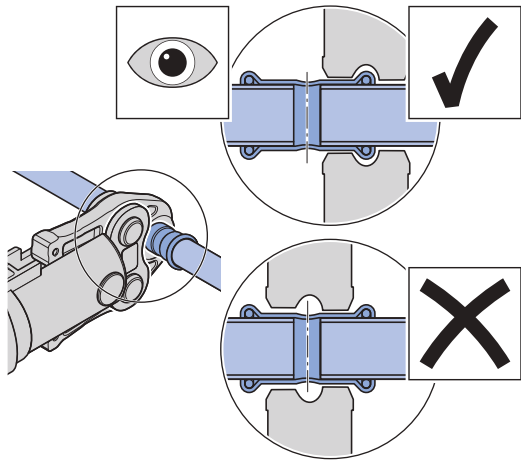
2



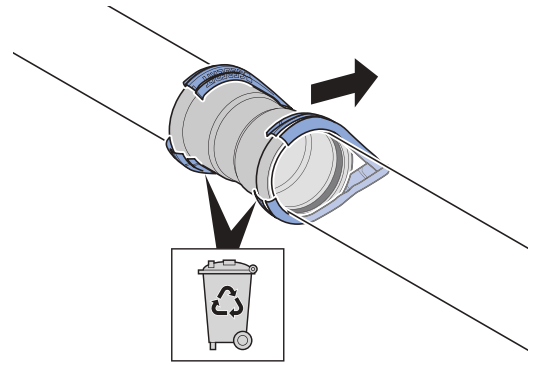
| | | | | |
|--|--------------|---|-------------------|--------|
| | | | ZB 203A ZB 203 | ZB 303 |
| ø 66.7 mm (Nr. JG2S67887 – Nr. xxxx) ¹⁾ | Cu | ✓ | ✓ | |
| | CSt | ✓ | ✓ | |
| ø 66.7 mm (Nr. xxxx – Nr. JG2S67886) ²⁾ | Cu, s ≤ 2 mm | ✓ | ✓ | |
| | CSt | ✗ | ✓ | |

¹⁾ 07.2017 – xx.xxxx
²⁾ xx.xxxx – 06.2017

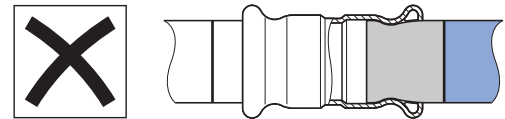
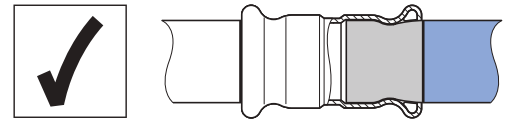
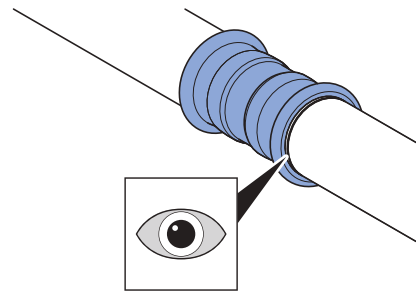
1



2



3



Geberit International AG
Schachenstrasse 77, CH-8645 Jona
documentation@geberit.com
www.geberit.com

