



# IB RUBINETTI

Collection

**BOLD**

Article

**B2706**

Description

**Wall mounted bidet spray mixer**

**Built-in body to be purchased separately INC206XXXN\_19**

Box Dimensions

**370 x 270 x 80 mm**

Weight

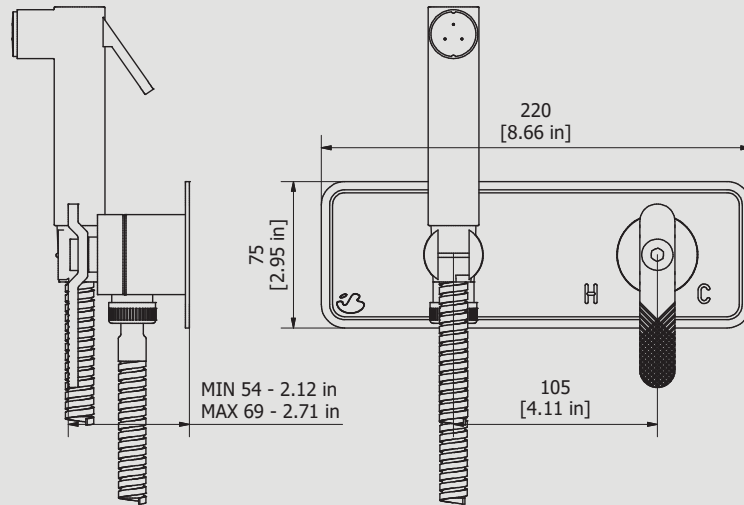
**2.8 kg**

Finishes

- **CC** CHROME
- **CF** BLACK CHROME
- **OO** GOLD
- **BB** ANTIQUE BRONZE
- **SS** BRUSHED NICKEL
- **CS** BRUSHED BLACK CHROME
- **BO** MATT WHITE
- **NP** MATT BLACK
- **IS** BRUSHED PALE GOLD
- **OS** BRUSHED GOLD
- **II** PALE GOLD
- **RR** ANTIQUE COPPER
- **RS** ROSE GOLD
- **ON** NATURAL BRASS
- **SR** BRUSHED ROSE GOLD
- **PL** PLATINUM



Dimensions



Cartridge

**Ø35 ceramic cartridge**

Threaded fitting

**G1/2" female**

Aerator

Flow Rate (+/-10%)

**1 BAR  
2.3 l/min**

**2 BAR  
3.2 l/min**

**3 BAR  
4 l/min**

Production

**Main body is a single casted pieces**

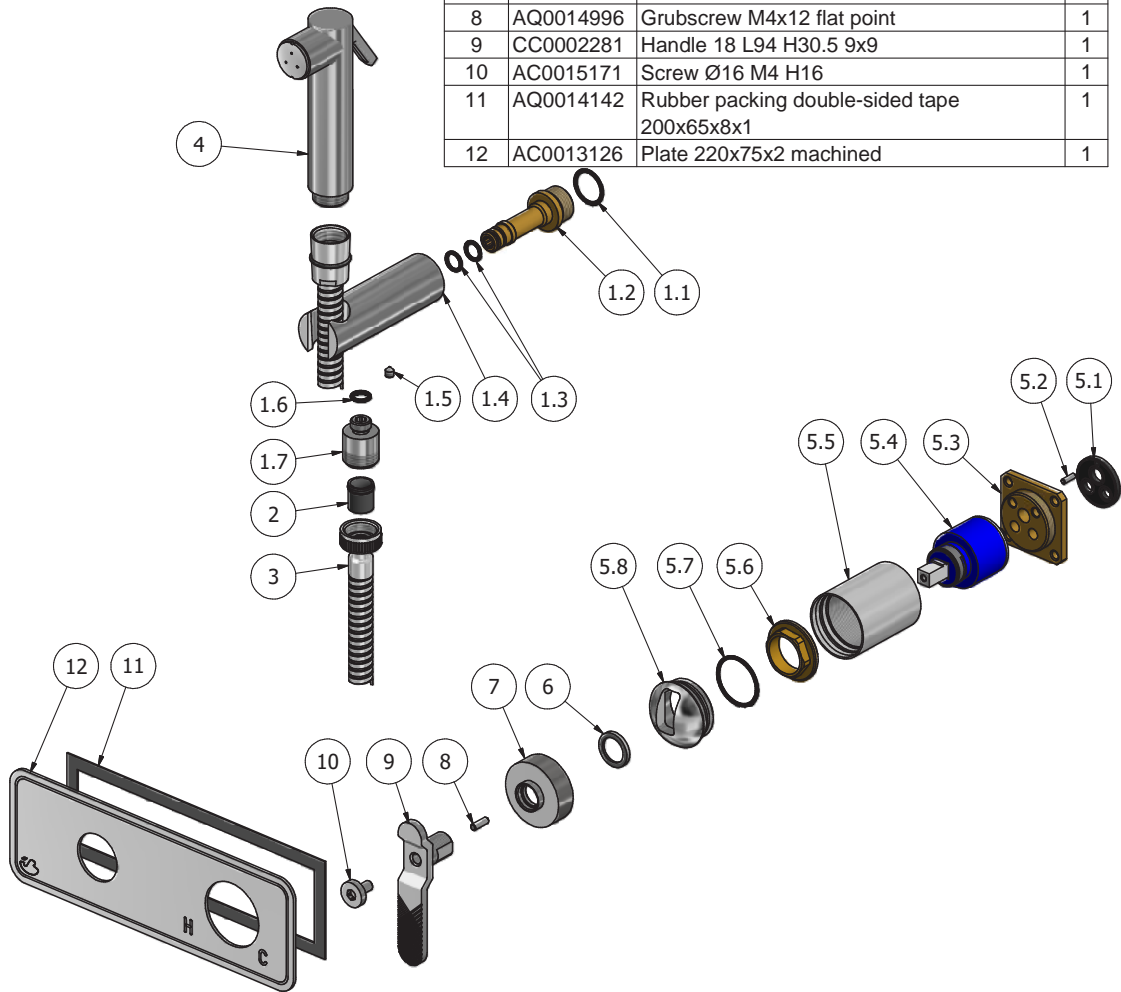
Material

**BRASS  
According to CuZn35Pb2Al-B (CB752S)  
Max Lead content: 1.36%**



# IB RUBINETTI

Parts list			
ELEM	CODE	DESCRIPTION	QT
1	CPSUPCCX N_1	Handshower support Ø30 L95	1
1.1	AQ0004640	OR 18.77x1.78 NBR 70 SH	1
1.2	AS0013051	Bayonet coupling G1/2" M H64.9	1
1.3	AQ0004180	OR 9.25x1.78 NBR 70 SH	2
1.4	AC0013053	Hand shower's support Ø30 L94.8	1
1.5	AQ0014670	Grubscrew M5x6 cone point	1
1.6	AQ0001340	OR 8.73x1.78 NBR 70 SH	1
1.7	AC0013052	Reduction G1/2" M M12x1 M H20.5	1
2	AQ0013247	Flow reduction+CV Ø15 4L	1
3	AQ0013497	Hose G1/2" F G1/2" cone L100	1
4	AQ0015885	Handshower hydrobrush SG415	1
5	CPIN206CC _29	Mixer 47x47 x recessed	1
5.1	AQ0015684	Gasket Ø31 x Ø3.5	1
5.2	AQ0015357	Grubscrew M3x10 flat point	1
5.3	AS0013040	Insert q.47x47 h11 M22x1M x mixer	1
5.4	AQ0004095	Ceramic cartridge Ø35 9x9 (K35A)	1
5.5	AC0011367	Seat for cartridge Ø41 H51	1
5.6	AQ0001040	Cartridge ring nut M37x1.5 H9	1
5.7	AQ0010597	OR 28.3x1.78 NBR 70 SH	1
5.8	AC0015180	Cover for nut Ø41.2 H22.7 R24	1
6	AQ0015291	Antifriction ring Ø21.8 Ø16 H2.8	1
7	AC0015179	Handle's cover Ø41 H17.5 M15x1.5	1
8	AQ0014996	Grubscrew M4x12 flat point	1
9	CC0002281	Handle 18 L94 H30.5 9x9	1
10	AC0015171	Screw Ø16 M4 H16	1
11	AQ0014142	Rubber packing double-sided tape 200x65x8x1	1
12	AC0013126	Plate 220x75x2 machined	1



### WARRANTY

All IB Rubinetterie SpA products are warranted for 10 years from the date of purchase, for the following cases:

- Defects of casting, porosity and chrome plating.
- Operating defects caused by incorrect fabrication.

The warranty provides for repair or replacement of products with fabrication defects recognized by our technical office. There is no other type of compensation anche the merchandise must be returned FOB our warehouse. The warranty only cover surface defects (scatches, dings, etc.) on fitting that have not been installed and used, returned in its original packaging with all components. O-ring, gasket seals and components subject to wear proportional to use are warranted for 2 years.

### The warranty is void in the following cases:

Error installing and putting the product into service.

Deterioration of finished surfaces due to use of cleaning products containing acids or abrasive substances. Deterioration of surface with finishes other than chrome plating. Their durability is, in fact, dependent on the user's care and gentleness of use.

Deterioration of the fitting due incorrect installation.

Improper repairs and maintenance performed without the company's prior authorization.

The warranty from IB Rubinetterie SpA is not renewable.

### Cleaning

We recommended cleaning the finish surfaces with water and soap, using a soft cloth.

Do not use detergents that contain hydrochloric acid or abrasive substances.

