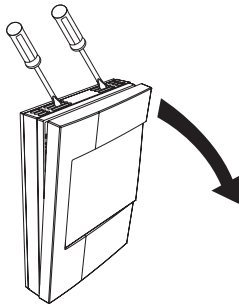


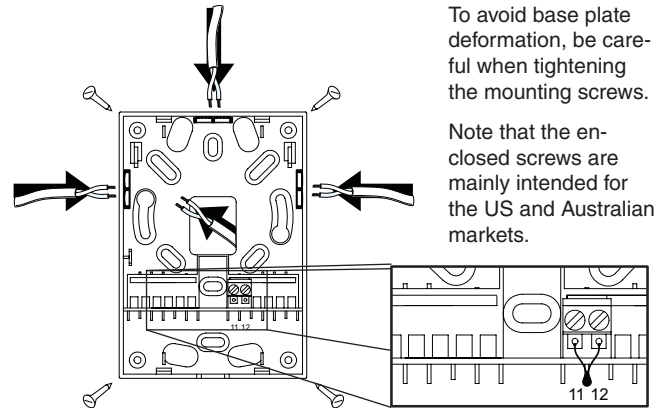
ATTACHING/REMOVING THE FRONT

The front is attached to the base-plate using four clamps, two at the top of the front panel and two at the bottom.

When removing the front-panel use a screwdriver (or similar) and push gently to unhook the clamps at the top and bottom of the front panel.

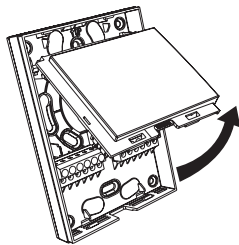


MOUNTING, CABLES

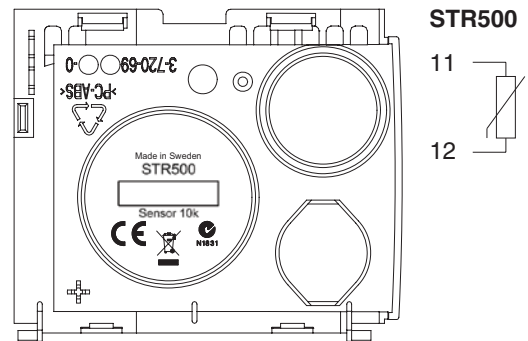


REMOVING THE CORE

The core panel is attached to the base-plate using two hinges. Remove the core panel by pushing the bottom of the core panel upwards, then unhinging the core panel from the base-plate.



CONNECTING



For more information visit
www.schneider-electric.com/buildings