

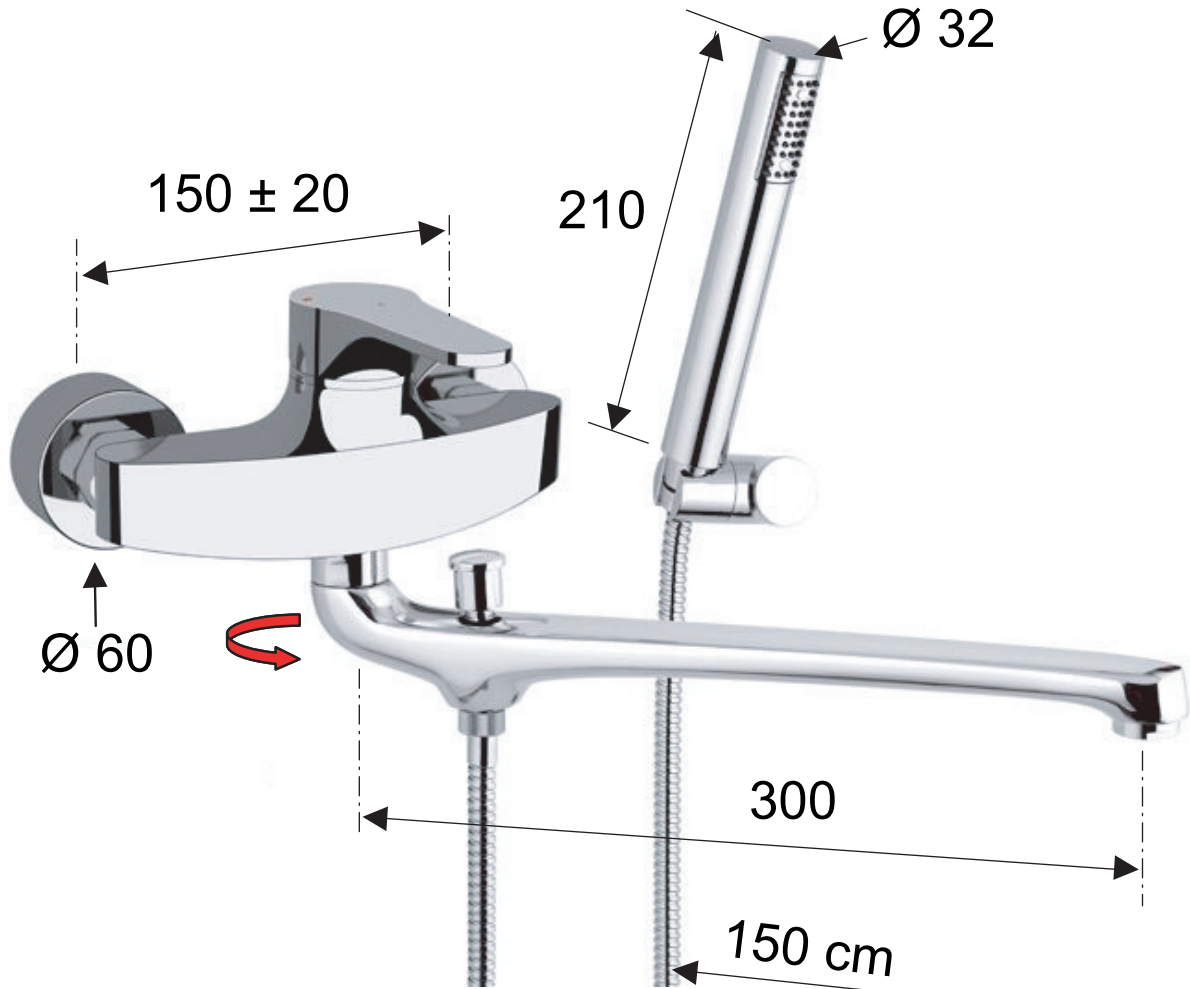


# DANIEL

SCHEDA TECNICA TECHNICAL FEATURES

ART. COD.

**OME624LT8**



## MATERIALI / MATERIALS

OTTONE CROMATO / CHROME PLATED BRASS

## CROMATURA / CHROME PLATING

UNI EN 248



8 L / Min.

Via Leonardo da Vinci 53 20062 Cassano d'Adda (MI) Italy Tel. +39-0363 62651  
info@daniel.it www.daniel.it