



# IB RUBINETTI

Collection

**TAAAC**

Article

**AA320**

Description

**Wall mounted spout**

Box Dimensions

**150 x 190 x 98 mm**

Weight

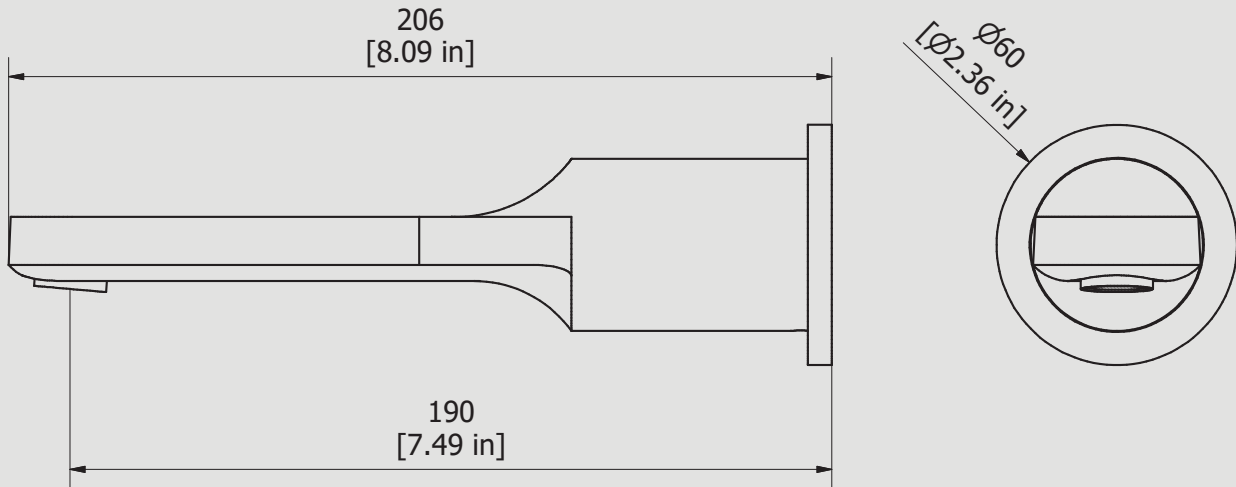
**1.1 kg**



Finishes

- **CC** CHROME
- **CF** BLACK CHROME
- **OO** GOLD
- **BB** ANTIQUE BRONZE
- **SS** BRUSHED NICKEL
- **CS** BRUSHED BLACK CHROME
- **BO** MATT WHITE
- **NP** MATT BLACK
- **IS** BRUSHED PALE GOLD
- **OS** BRUSHED GOLD
- **II** PALE GOLD
- **RR** ANTIQUE COPPER
- **ORS** ROSE GOLD
- **ON** NATURAL BRASS
- **SR** BRUSHED ROSE GOLD
- **PL** PLATINUM

Dimensions



Cartridge

Threaded fitting

**Treaded fitting G1/2" male**

Aerator

**M24x1**

Flow Rate (+/-10%)

**1 BAR  
4.5 l/min**

**2 BAR  
5 l/min**

**3 BAR  
5 l/min**

Production

**Main body is a single casted pieces**

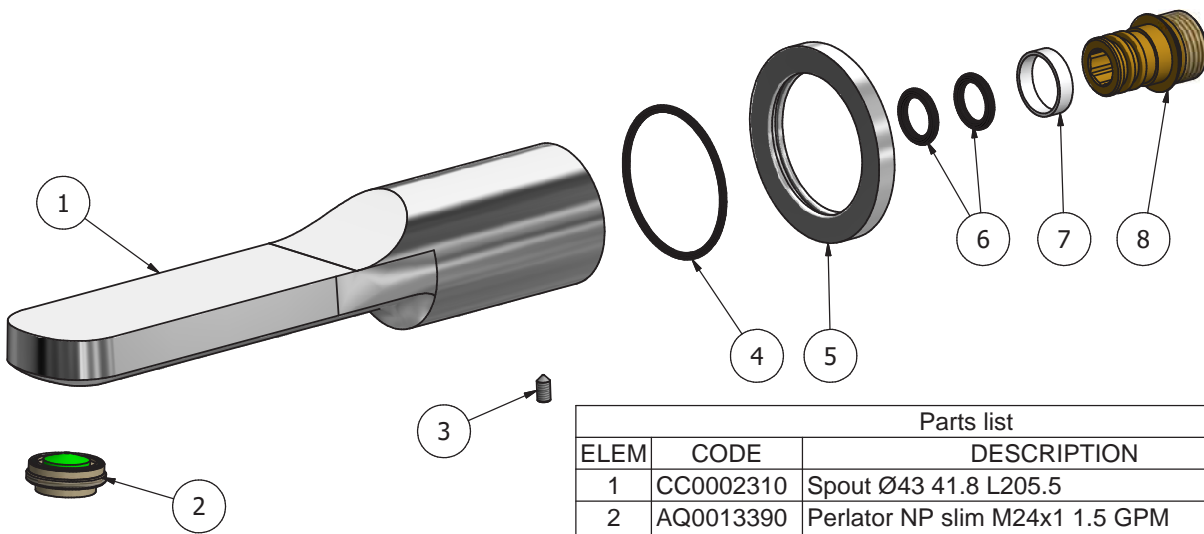
Material

**BRASS**  
**According to CuZn35Pb2AL-B (CB752S)**  
**Max Lead content: 1.36%**





# IB RUBINETTI



Parts list			
ELEM	CODE	DESCRIPTION	QT
1	CC0002310	Spout Ø43 41.8 L205.5	1
2	AQ0013390	Perlator NP slim M24x1 1.5 GPM (40.8356.01)	1
3	AQ0006649	Grubscrew M4x8 cone point	1
4	AQ0009984	OR 43x2 NBR 70 SH	1
5	AC0012634	Rosette Ø60 Ø42 H6	1
6	AQ0001360	OR 11.91x2.62 NBR 70 SH	2
7	AQ0010435	Teflon ring Ø19,9 x 5	1
8	AS0010397	Linking piece for spout	1

### WARRANTY

All IB Rubinetterie SpA products are warranted for 10 years from the date of purchase, for the following cases:

- Defects of casting, porosity and chrome plating.
- Operating defects caused by incorrect fabrication.

The warranty provides for repair or replacement of products with fabrication defects recognized by our technical office. There is no other type of compensation unless the merchandise must be returned FOB our warehouse. The warranty only covers surface defects (scratches, dings, etc.) on fittings that have not been installed and used, returned in its original packaging with all components. O-ring, gasket seals and components subject to wear proportional to use are warranted for 2 years.

### The warranty is void in the following cases:

Error installing and putting the product into service.

Deterioration of finished surfaces due to use of cleaning products containing acids or abrasive substances. Deterioration of surface with finishes other than chrome plating. Their durability is, in fact, dependent on the user's care and gentleness of use.

Deterioration of the fitting due to incorrect installation.

Improper repairs and maintenance performed without the company's prior authorization.

The warranty from IB Rubinetterie SpA is not renewable.

### Cleaning

We recommend cleaning the finish surfaces with water and soap, using a soft cloth.

Do not use detergents that contain hydrochloric acid or abrasive substances.

