

### Features

- Bask® heated surface creates spa-like relaxation with soothing warmth on your back, shoulders, and neck.
- Three heat settings allow you to customize the surface temperature.
- Hourglass shape adds style and elegance to your bathroom.
- Integral apron.
- Integral flange helps prevent water from seeping behind wall and simplifies alcove installation.
- Textured bottom surface.

### Material

- Acrylic.

### Installation

- Left drain.
- Alcove.

### Recommended Products/Accessories

K-7161-AF 1-1/2" adjustable pop-up drain above- or through-floor  
K-24916 Wireless Music Kit  
K-37380 30" Rough-in Cable Bath Drain  
K-37383 Rough-in cable bath drain, PVC, 30" cable with tubing  
K-23726 Drain treatment  
K-23732 Tub & shower cleaner  
K-7265 Clearflo Bath Drain  
K-37386 rough-in cable drain, PVC, 30" cable  
K-7166-AF Bath Drain



### Codes/Standards

CSA B45.5/IAPMO Z124  
ASTM E162  
ASTM E662  
UL 1795  
CSA C22.2 No. 218.2






**KOHLER® Plastic Baths and Receptors  
Lifetime Limited Warranty  
KOHLER® Hydrotherapy Components  
Five-Year Limited Warranty**

See website for detailed warranty information.

### Available Colors/Finishes

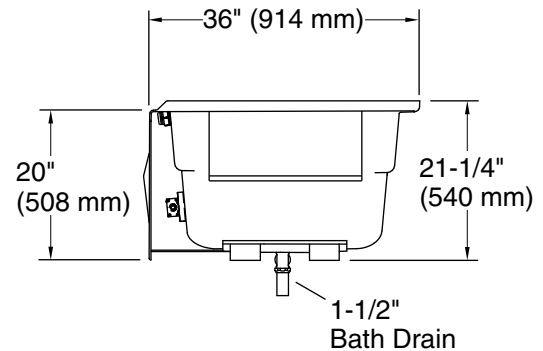
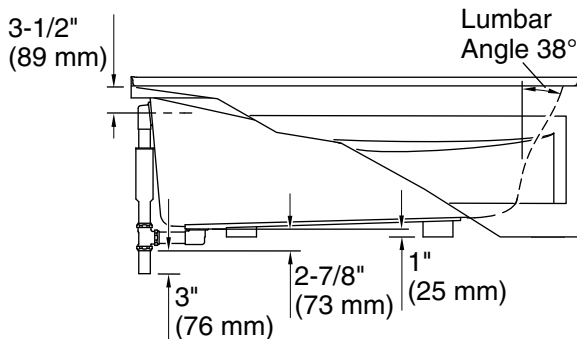
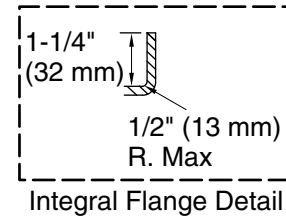
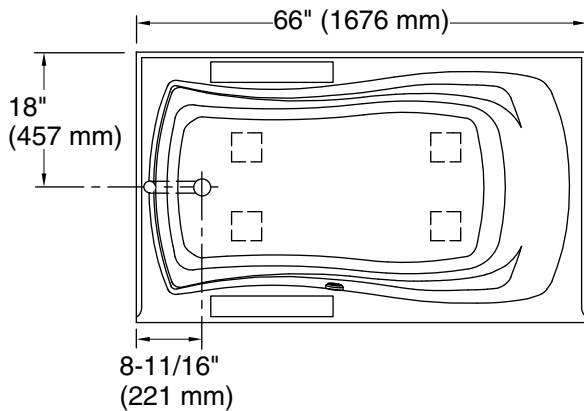
*Color tiles intended for reference only.*

| Color | Code | Description |
|-------|------|-------------|
|-------|------|-------------|

|  |    |         |
|--|----|---------|
|  | 0  | White   |
|  | 96 | Biscuit |
|  | 47 | Almond  |
|  | NY | Dune    |
|  | G9 | Sandbar |

No change in measurements if connected with drain illustrated. (K-7161-AF)

 Recommended Faucet Location



### Required Electrical Service

One circuit required, protected with Class A Ground-Fault Circuit-Interrupter (GFCI). Outside North America, this device may be known as a Residual Current Device (RCD).

Heated Surface: 120 V, 15 A

### Technical Information

All product dimensions are nominal.

|                              |   |
|------------------------------|---|
| Installation:                | Three-wall alcove                                 |
| Drain location:              | Left  |
| Basin area, bottom:          | 48" x 24" (1219 mm x 610 mm)                      |
| Basin area, top:             | 59" x 30" (1499 mm x 762 mm)                      |
| Weight:                      | 65 lbs (29.5 kg)                                  |
| Minimum floor load:          | 39 lbs/ft <sup>2</sup> (190.4 kg/m <sup>2</sup> ) |
| Water depth:                 | 14" (356 mm)                                      |
| Water capacity:              | 67 gal (253.6 L)                                  |
| Cutout:                      | Drop-in, 58" x 34" (1473 mm x 864 mm)             |
| Electrical component rating: | Heated Surface: 120 V, 0.5 A, 60 Hz, 65 W         |
| Minimum flat for door:       | 1-15/16" (49 mm)                                  |

### Notes

Measure your actual product for rough-in details. Install this product according to the installation instructions.

The hot water supply should be 70% of the capacity of the bath or greater. Installations will vary.

If installing a rim-mount faucet, make sure there is no interference above or below the deck before drilling any holes.