



# IB RUBINETTI

Collection

## LOVEME

Article

### LM223

Description

**Mini monohole bidet mixer**

Box Dimensions

**340 x 180 x 70 mm**

Weight

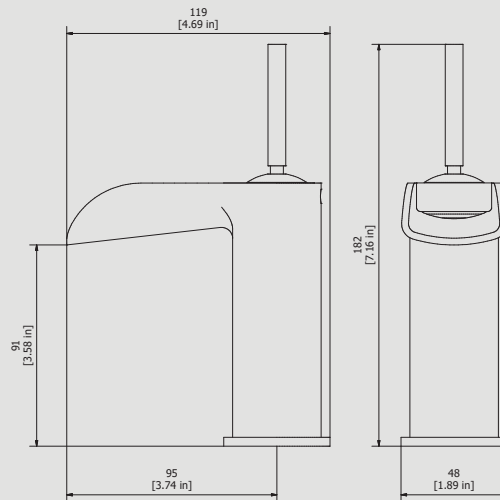
**1.6 kg**



Finishes

- **CC** CHROME
- **CF** BLACK CHROME
- **OO** GOLD
- **BB** ANTIQUE BRONZE
- **SS** BRUSHED NICKEL
- **CS** BRUSHED BLACK CHROME
- **BO** MATT WHITE
- **NP** MATT BLACK
- **IS** BRUSHED PALE GOLD
- **OS** BRUSHED GOLD
- **II** PALE GOLD
- **RR** ANTIQUE COPPER
- **ORS** ROSE GOLD
- **ON** NATURAL BRASS
- **SR** BRUSHED ROSE GOLD
- **PL** PLATINUM

Dimensions



Cartridge

**Ø25 ceramic cartridge**

Hoses

**Inox hoses G1/2" female 450 mms long**

Aerator

Flow Rate (+/-10%)

<b>1 BAR</b>	<b>2 BAR</b>	<b>3 BAR</b>
<b>7 l/min</b>	<b>7 l/min</b>	<b>7.5 l/min</b>

Production

**Main body is a single casted pieces**

Material

**BRASS**  
According to CuZn35Pb2AL-B (CB752S)  
Max Lead content: 1.36%

IB RUBINETTERIE s.p.a  
via dei Pianotti 3/5  
25068 Sarezzo (BS) - Italy -

T. +39 030 802101  
F. +39 030 803097  
info@ibrubinetterie.it

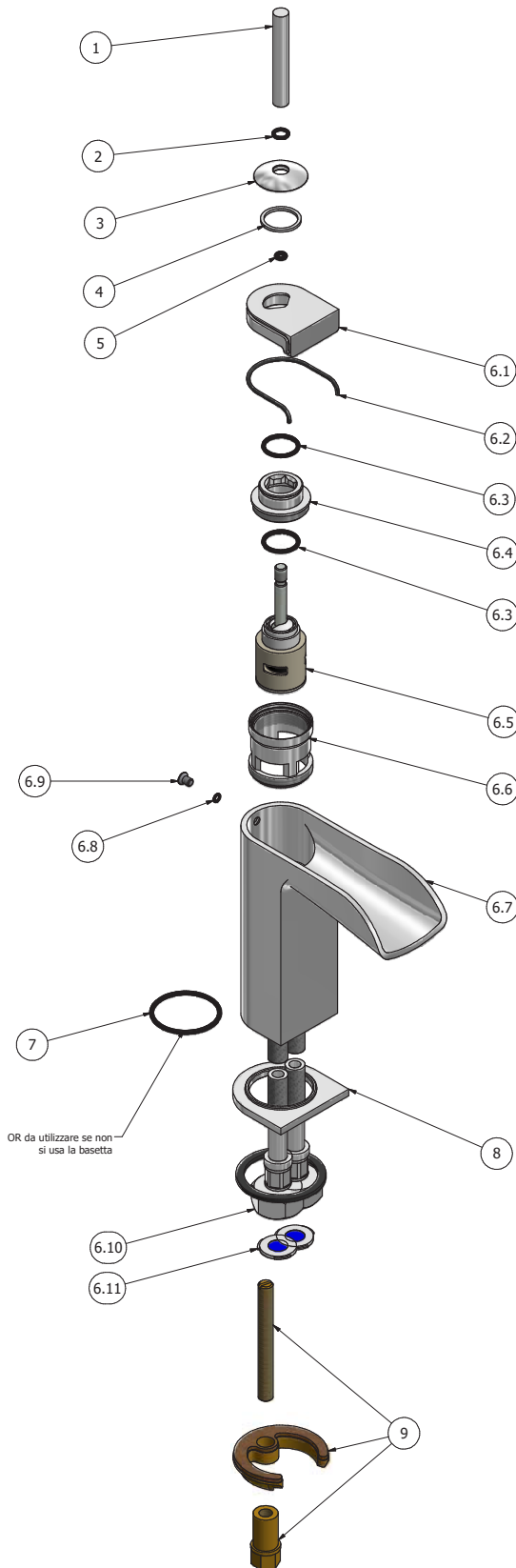
P.IVA 01785230986  
capitale sociale  
€420.000,00 i.v.

WWW.IBRUBINETTI.IT

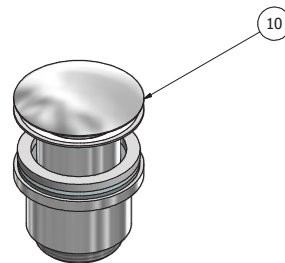




# IB RUBINETTI



Elenco parti			
ELEM	CODICE	NUMERO DI MAGAZZINO	QT
1	AC0011755	Lever Ø8 L55 M6x1	1
2	AQ0001325	OR 6x1.5 NBR 70 SH	1
3	AC0011756	Cartridge fixing nut sliding cover Ø27 H4	1
4	AQ0011008	Teflon antifriction ring 20.4X17	1
5	AQ0014148	OR 2.9x1.78 NBR 70 SH	1
6	CPLM201C	Preamsembled mini basin mixer LoveMe C-1	1
6.1	AC0011828	Cartridge cover flange 41x34x9.1	1
6.2	AQ0013734	Rubber packing Ø1.78	1
6.3	AQ0004600	OR 15.6x1.78 NBR 70 SH	2
6.4	AC0011757	Cartridge fixing nut M28x1 H14.5	1
6.5	AQ0011012	Ceramic cartridge Ø25	1
6.6	AC0011758	Liner for cartridge M32x1.5 H31	1
6.7	AQ0013735	Mini body basin mixer 40x40 H115	1
6.8	AQ0010276	OR 3x1 NBR 70 SH	1
6.9	AQL013736	Inox screw M4X6	1
6.10	AQ0013776	Flex inox M8x1 G1/2" W/out rubber DN6 L450	2
6.11	AQ0013781	Flow regulator G1/2" 1 GPM (58.8644.1)	2
7	AQ0009838	OR 32x2 NBR 70 SH	1
8	AQ0013737	Base 48x48x4	1
9	AQ0009171	Fixing set	1
10	AQ0009837	Simple rapid waste 1"1/4	1



**WARRANTY**

All IB Rubinetterie SpA products are warranted for 10 years from the date of purchase, for the following cases:

- Defects of casting, porosity and chrome plating.
- Operating defects caused by incorrect fabrication.

The warranty provides for repair or replacement of products with fabrication defects recognized by our technical office. There is no other type of compensation anche the merchandise must be returned FOB our warehouse. The warranty only cover surface defects (scatches, dings, etc.) on fitting that have not been installed and used, returned in its original packaging with all components. O-ring, gasket seals and components subject to wear proportional to use are warranted for 2 years.

**The warranty is void in the following cases:**

Error installing and putting the product into service.

Deterioration of finisched surfaces due to use of cleaning products containing acids or abrasive substances. Deterioration of surface with finishes other than chrome plating. Their durability is, in fact, dependent on the user's care and gentleness of use.

Deterioration of the fitting due incorrect installation.

Improper repairs and maintenance performed without the company's prior authorization.

The warranty from IB Rubinetterie SpA is not renewable.

**Cleaning**

We recommended cleaning the finish surfaces with water and soap, using a soft cloth.

Do not use detergents that cointain hydrochloric acid or abrasive substances.

