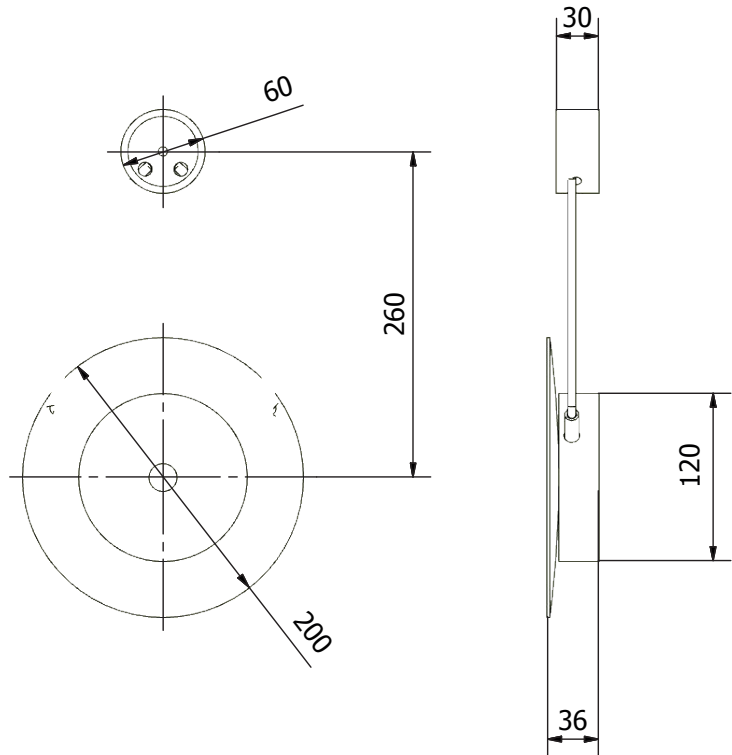


product technical sheet

EVRGSPIN
Ever Life Design
RING

article code	
family	
line	
certification	Certification TUV of system UNI EN ISO 9001
features of the product	Magnifying mirror Ø20 cm with beechwood fixing system and rope, wall mounted installation
technical details	Wall mounted fixing system, through an appropriate plug, not included
materials	Beechwood, Nylon, glass, brass
installation	Unpack the product, remove the wood lid, clamp the product with a flaring screw (not included) in the position wanted; remove the protective film, on the back of the lid and stick it in the designed slot.
maintenance	Make a proper cleaning with water and soap, do not use aggressive cleaning products, abrasive, corrosive, acid, acetone, diluent etc. Do not scratch the painting surface. Check periodically the correct fixing and the strength of the installation. Do not use the product for different purposes than those intended. Do not swing the mirror



ST_PRODOTTO: EVRGSPIN - REV.00 - 22/06/2018- APPROVED T.D.

The above mentioned information cannot be considered as binding. Thermomat Saniline srl reserves the right to make technical and aesthetic changes without any prior notice.

Ever by Thermomat Saniline s.r.l. | Mantova | Italy

www.everlifedesign.it