

VOLA 500, 590, 500T1
 VOLA 2500
 VOLA SC1, SC3, SC5, SC7, SC9, SC10, SC12

Fitting instruction
 Montageanleitung
 Monteringsvejledning
 Monteringsvægledning
 Montage hanleiding
 Manuel de montage

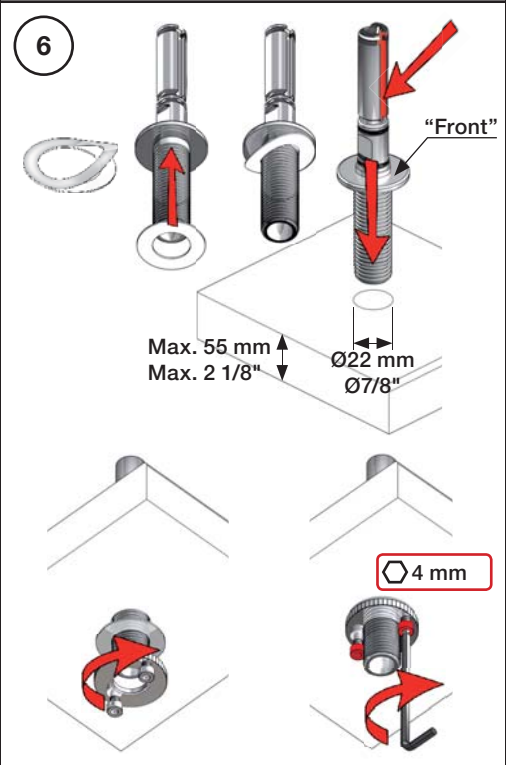


Data, 3 Bar /43.5 Psi:

| | l/min. | Gal/min. |
|---------|--------|----------|
| 500: | 14,5 | 3,8 |
| 590: | 9,0 | 2,4 |
| 500-T1: | 11,0 | 2,9 |
| 2500: | 18,7 | 4,9 |
| SC1: | 18,7 | 4,9 |
| SC5, 7: | 18,0 | 4,8 |
| SC9: | 11,0 | 2,9 |

Max. 65°C, 150°F

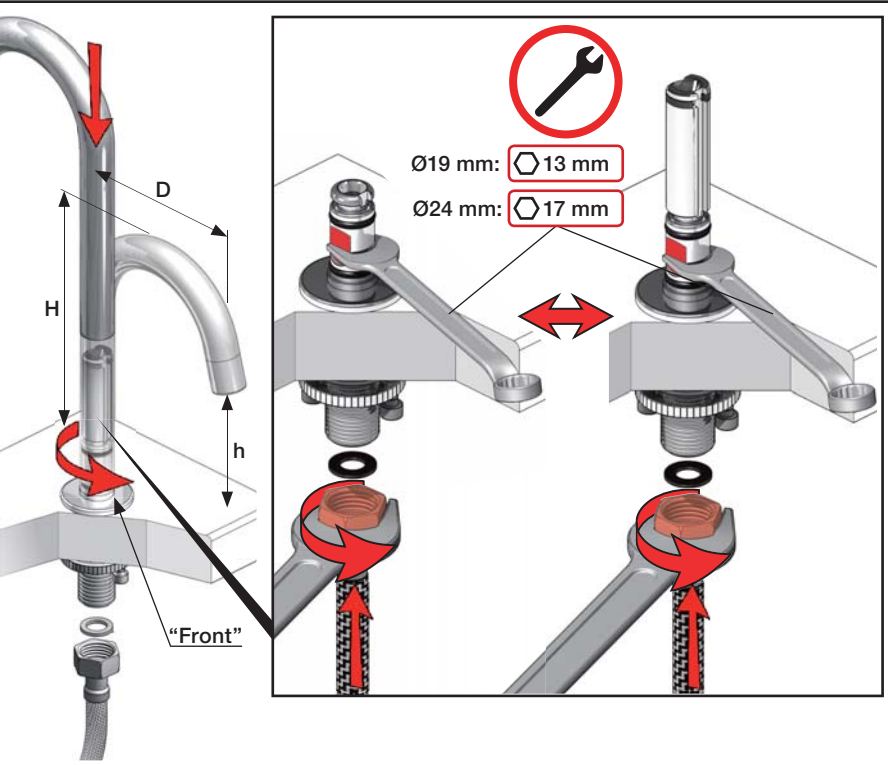




6A

| mm: | H | D | h |
|------|-----|-----|-----|
| 090 | 210 | 200 | 145 |
| 090A | 110 | 85 | 40 |
| 090B | 185 | 100 | 114 |
| 090C | 185 | 100 | 114 |
| 090D | 220 | 200 | 130 |
| 090E | 170 | 200 | 65 |
| 090G | 185 | 140 | 105 |
| 090H | 265 | 230 | 155 |
| 090I | 325 | 230 | 216 |
| 090V | 355 | 145 | 270 |

| Inches: | H | D | h |
|---------|---------|--------|---------|
| 090 | 8 1/2" | 8" | 5 3/4" |
| 090A | 4 1/4" | 3 1/2" | 1 1/2" |
| 090B | 7" | 4" | 4 1/2" |
| 090C | 7" | 4" | 4 1/2" |
| 090D | 8 3/4" | 8" | 5" |
| 090E | 6 3/4" | 8" | 2 1/2" |
| 090G | 7" | 5 1/2" | 4" |
| 090H | 10 1/2" | 9" | 6" |
| 090I | 12 3/4" | 9" | 8 1/2" |
| 090V | 14" | 5 3/4" | 10 1/2" |



VOLA 090, 090A, 090B:
 VOLA 090C, 090D, 090E:
 VOLA 090G, 090H, 090I, 090V:

1 - 4

VOLA 090FM:

5

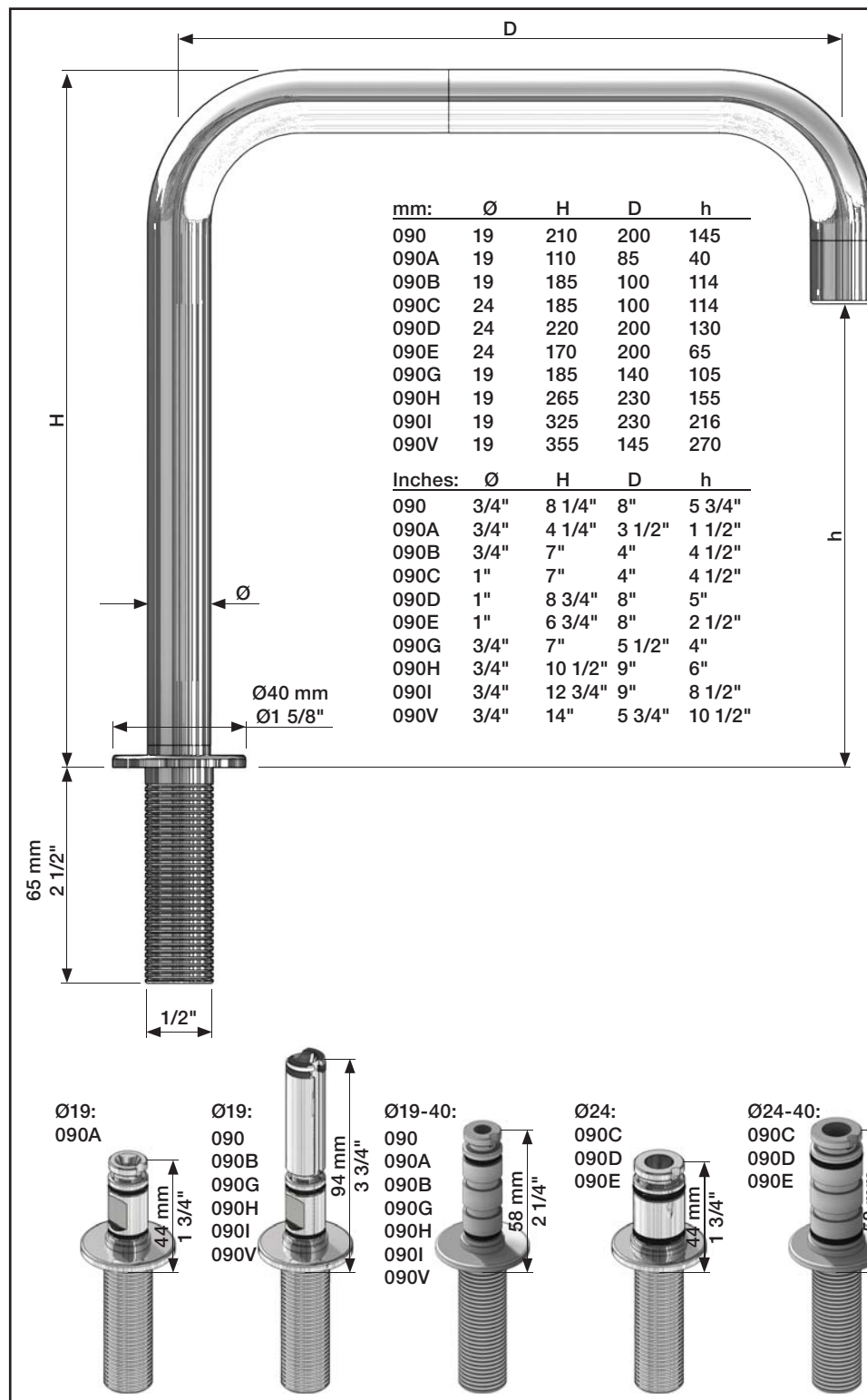
Fitting instruction Monteringsvægledning
 Montageanleitung Montage hanledning
 Monteringsvejledning Manuel de montage



www.vola.com

vola

mnt_090_V3_40999824

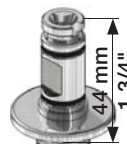


65 mm
2 1/2"

1/2"

Ø40 mm
Ø1 5/8"

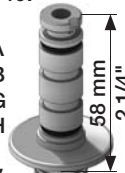
Ø19:
090A



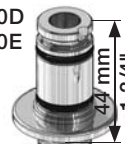
Ø19:
090
090B
090G
090H
090I
090V



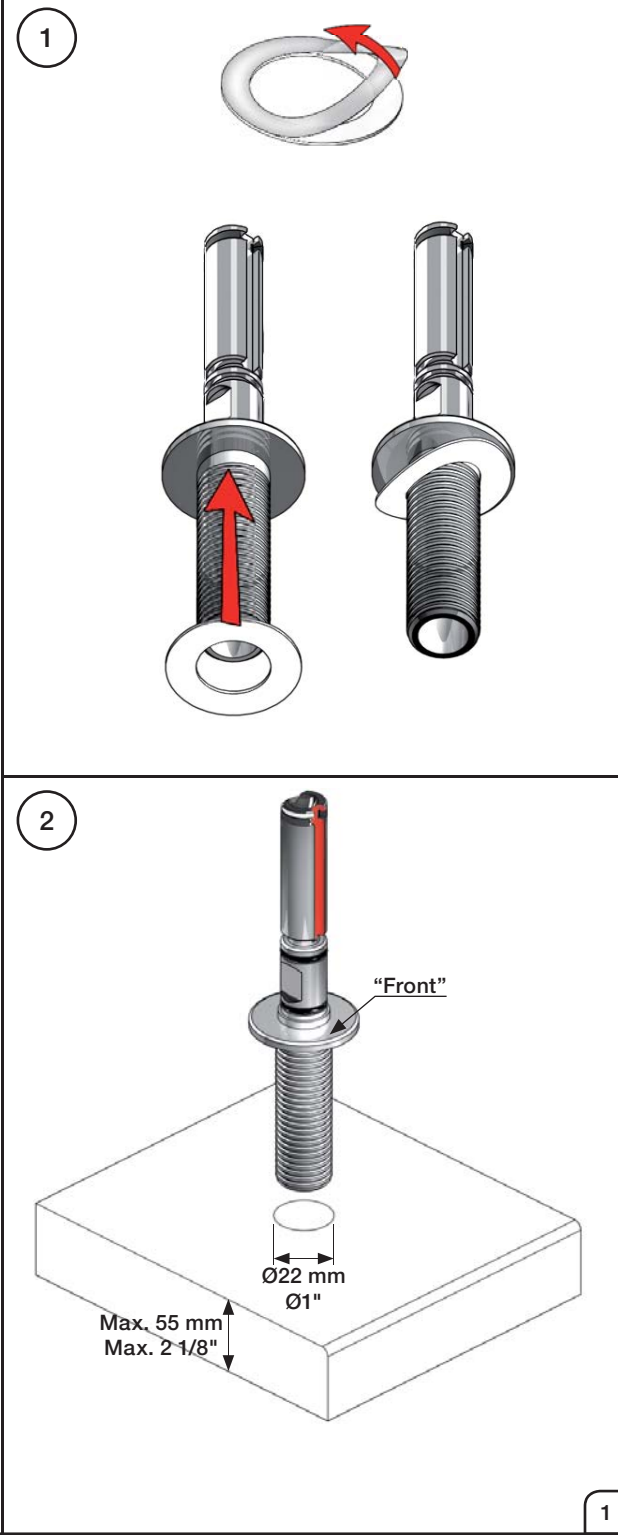
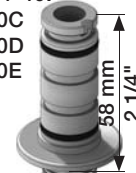
Ø19-40:
090
090A
090B
090G
090H
090I
090V



Ø24:
090C
090D
090E



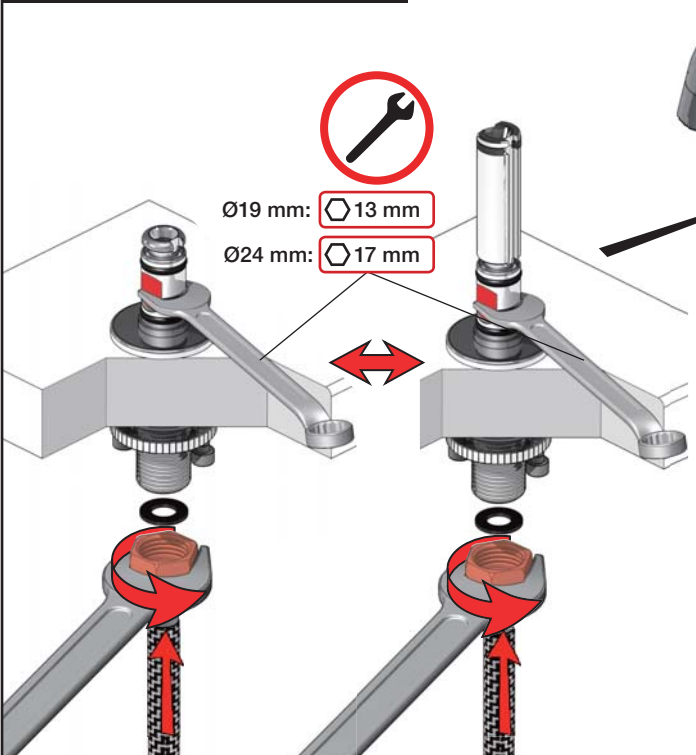
Ø24-40:
090C
090D
090E



2

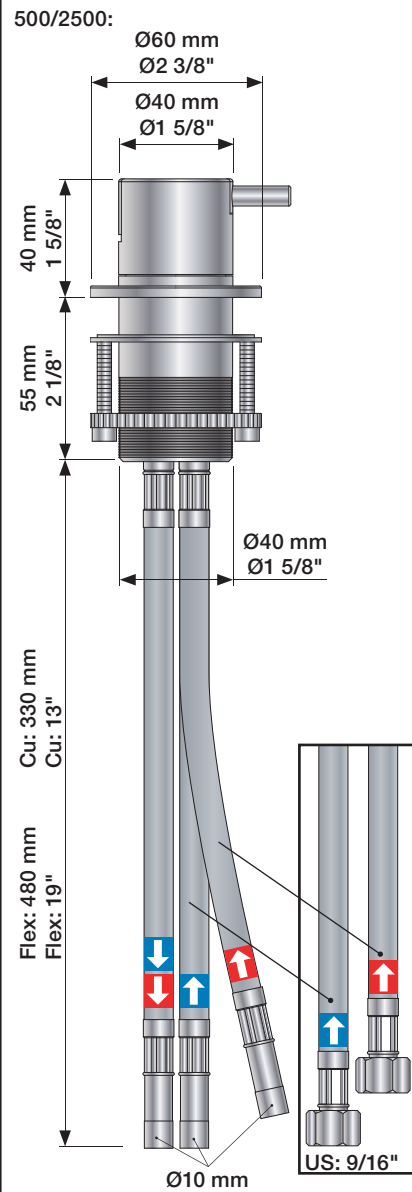
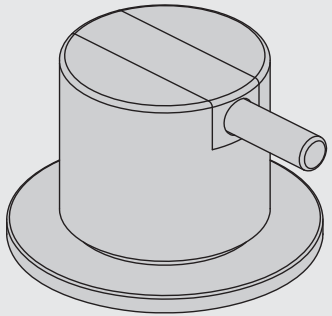
Max. 55 mm
Max. 2 1/8"

1



VOLA 500, 590, 500T1
 VOLA 2500
 VOLA SC1, SC3, SC5, SC7, SC9, SC10, SC12

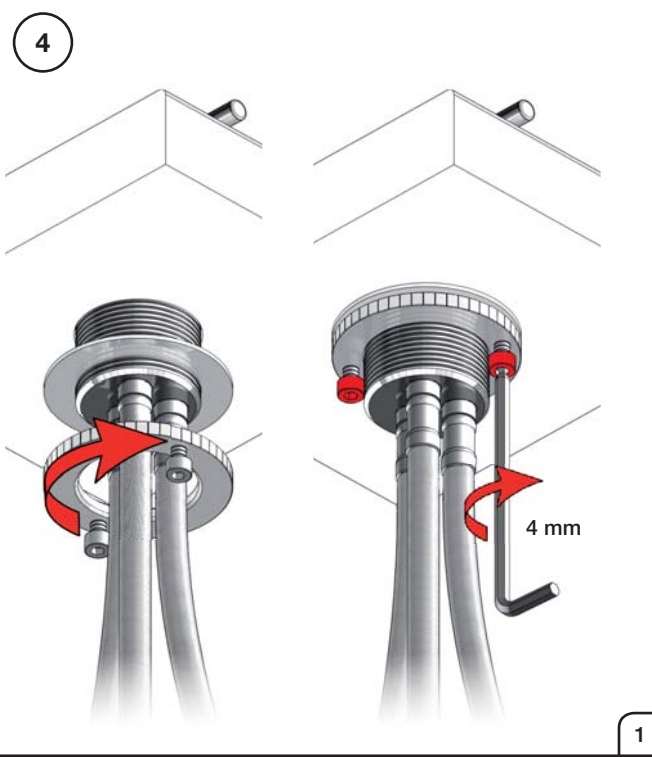
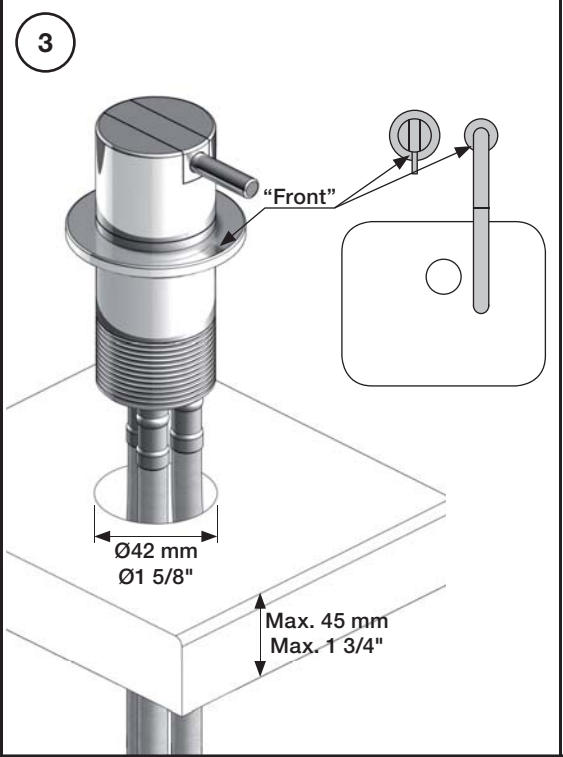
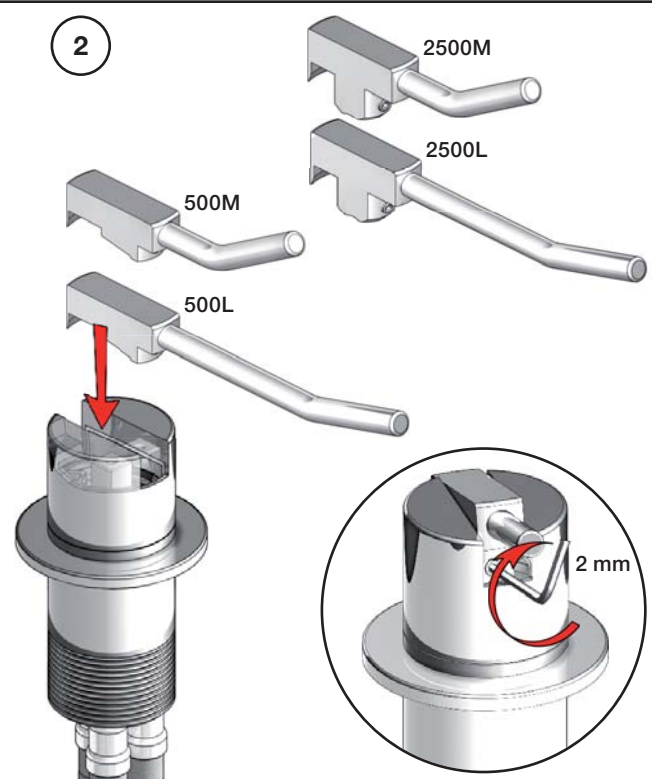
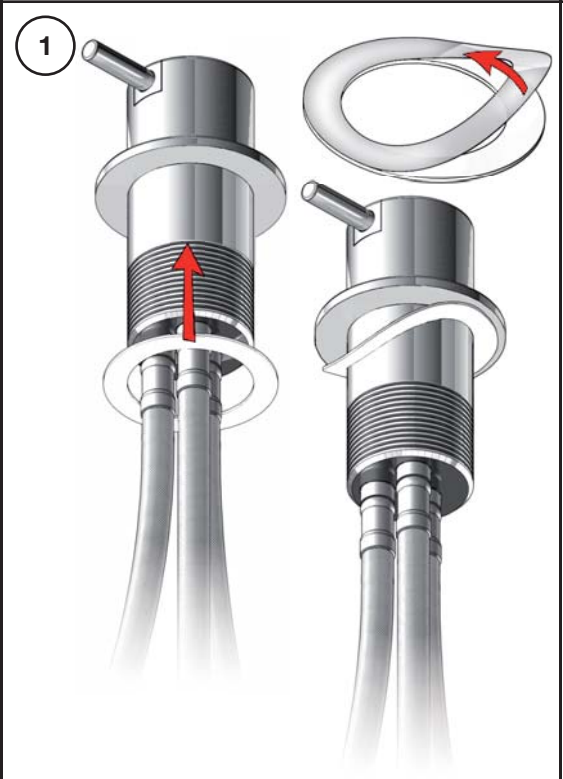
Fitting instruction
 Montageanleitung
 Monteringsvejledning
 Monteringsvægledning
 Montage hanleiding
 Manuel de montage

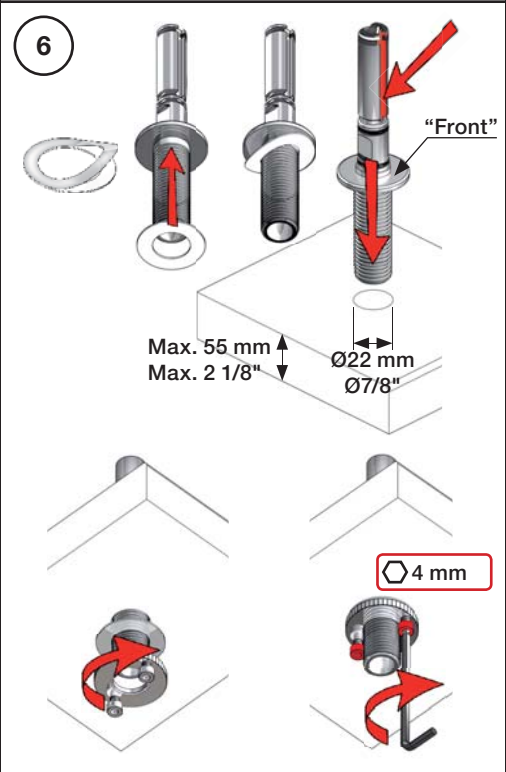


Data, 3 Bar /43.5 Psi:

| | l/min. | Gal/min. |
|---------|--------|----------|
| 500: | 14,5 | 3.8 |
| 590: | 9,0 | 2.4 |
| 500-T1: | 11,0 | 2.9 |
| 2500: | 18,7 | 4.9 |
| SC1: | 18,7 | 4.9 |
| SC5, 7: | 18,0 | 4.8 |
| SC9: | 11,0 | 2.9 |

Max. 65°C, 150°F

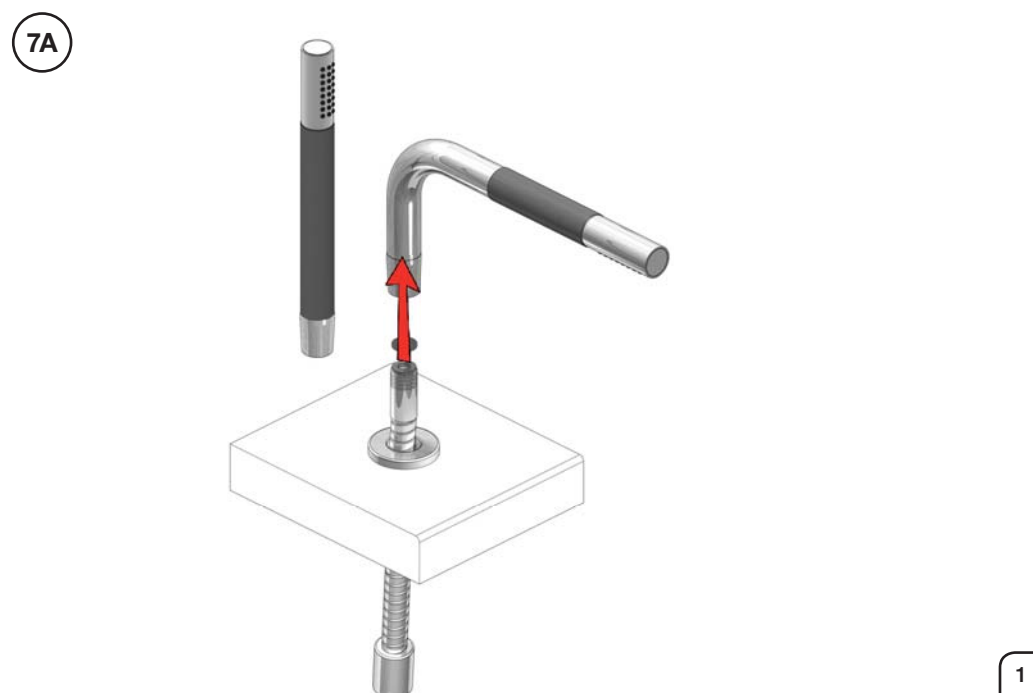
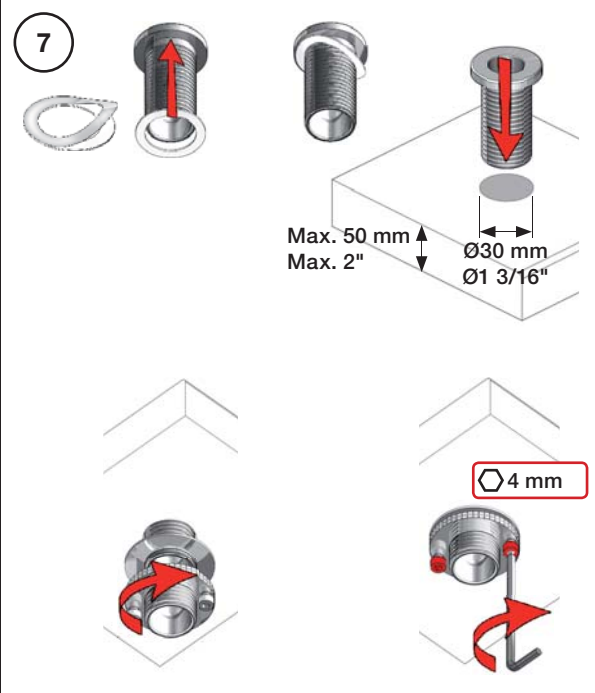
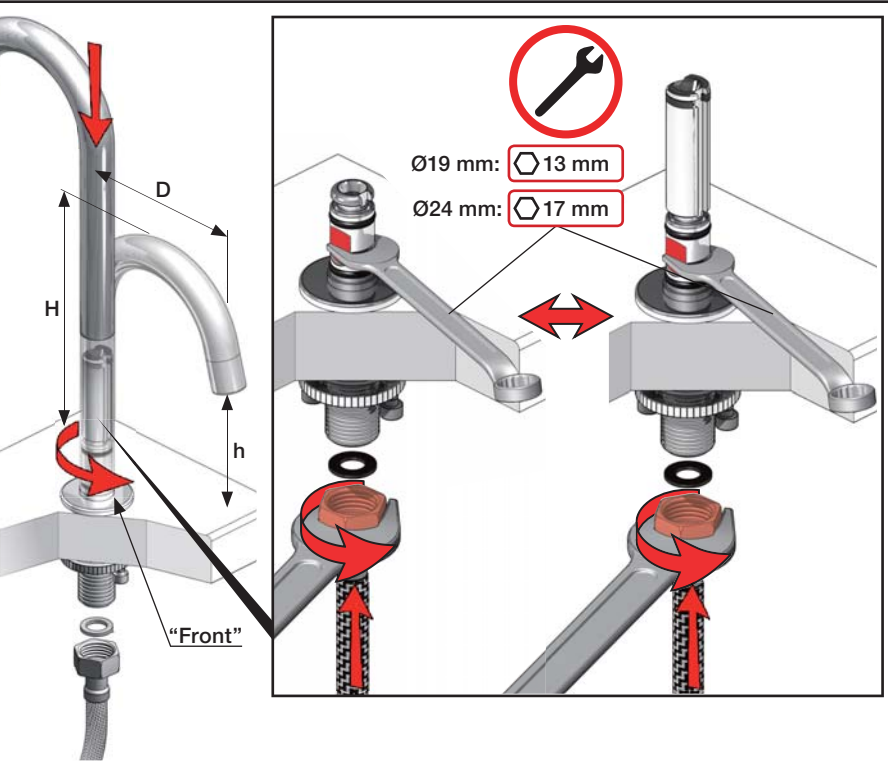


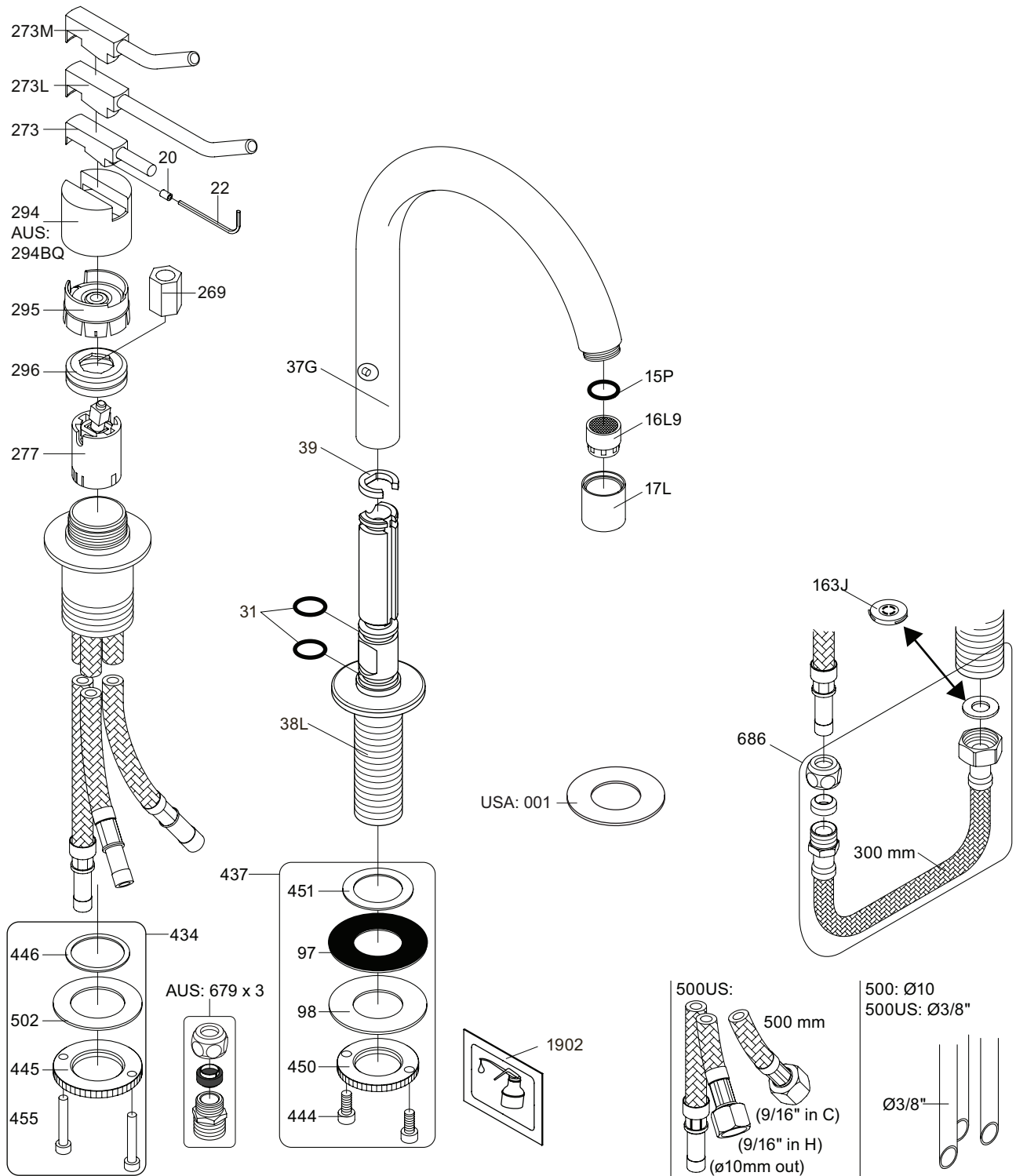


6A

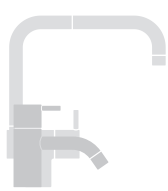
| mm: | H | D | h |
|------|-----|-----|-----|
| 090 | 210 | 200 | 145 |
| 090A | 110 | 85 | 40 |
| 090B | 185 | 100 | 114 |
| 090C | 185 | 100 | 114 |
| 090D | 220 | 200 | 130 |
| 090E | 170 | 200 | 65 |
| 090G | 185 | 140 | 105 |
| 090H | 265 | 230 | 155 |
| 090I | 325 | 230 | 216 |
| 090V | 355 | 145 | 270 |

| Inches: | H | D | h |
|---------|---------|--------|---------|
| 090 | 8 1/2" | 8" | 5 3/4" |
| 090A | 4 1/4" | 3 1/2" | 1 1/2" |
| 090B | 7" | 4" | 4 1/2" |
| 090C | 7" | 4" | 4 1/2" |
| 090D | 8 3/4" | 8" | 5" |
| 090E | 6 3/4" | 8" | 2 1/2" |
| 090G | 7" | 5 1/2" | 4" |
| 090H | 10 1/2" | 9" | 6" |
| 090I | 12 3/4" | 9" | 8 1/2" |
| 090V | 14" | 5 3/4" | 10 1/2" |





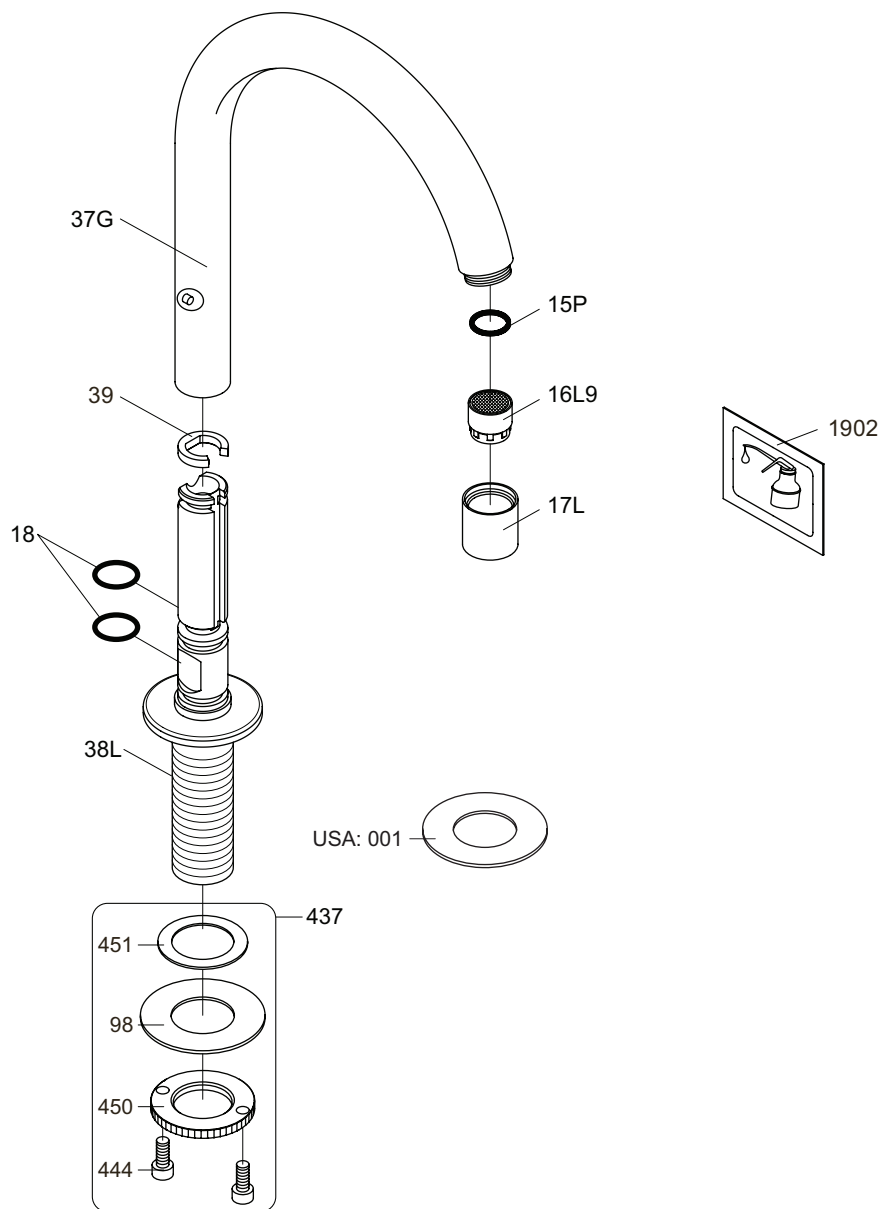
- VR277K: VR22, VR269, VR277
- VR297: VR20, VR22, VR269, VR273, VR277, VR294, VR295, VR296
- VR434: VR261, VR263, VR440, VR442, 2xVR455
- VR437: VR97, VR98, 2xVR444, VR450, VR451
- NR.10: VR20, VR22, VR273, VR294, VR295
- VR090: VR15P, VR16L9



vola
 Lunavej 2
 DK-8700 Horsens
 Tlf : + 45 7023 5500
 sales@vola.com
 www.vola.com

VOLA 590G

| | |
|-------|----------|
| Date | Maj. 17 |
| Rev. | 4 |
| Sheet | SB 27.75 |



VR17L9K: VR15P, VR16L9, VR17L
 VR437: VR98, 2xVR444, VR450, VR451



vola
 Lunavej 2
 DK-8700 Horsens
 Tlf : + 45 7023 5500
 sales@vola.com
 www.vola.com

VOLA 090G

Date
 Apr. 12

Rev.
 3

Sheet
 SB 19.3