

**META Single-lever basin mixer with raised base without pop-up waste -
Champagne (22kt Gold)**

META

33 534 661



- 201mm projection
- pivotable spout 360°
- circular, air-enriched flow
- height of mixer 397 mm
- height up to aerator 299 mm
- hole diameter 35 mm
- 2x screw-in M 8 x 1 pressure hose, leak-tested
- max. flow 5.7 l/min
- lead-free
- This product can help a building meet the requirements of Green Building Rating Systems, e.g. LEED®, BREEAM®, DGNB
- WRAS 2005029

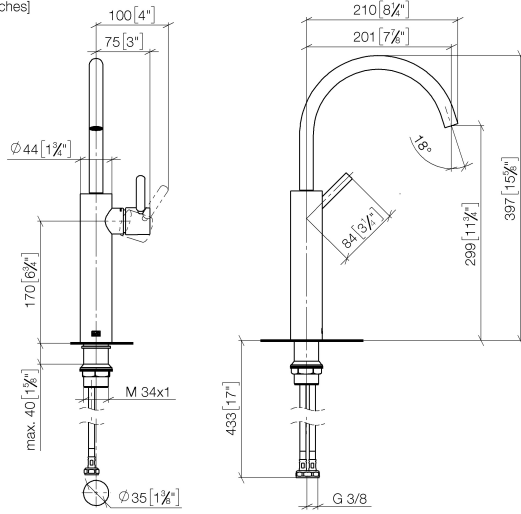
for use on countertop bowls

	Champagne (22kt Gold)	33 534 661-47
	Chrome	33 534 661-00
	Brushed Platinum	33 534 661-06
	Dark Chrome	33 534 661-19
	Light Gold	33 534 661-26
	Brushed Light Gold	33 534 661-27
	Matte Black	33 534 661-33
	Brushed Bronze	33 534 661-42
	Brushed Champagne (22kt Gold)	33 534 661-46
	Brushed Chrome	33 534 661-93
	Brushed Dark Platinum	33 534 661-99

**META Single-lever basin mixer with raised base without pop-up waste -
Champagne (22kt Gold)**

META

33 534 661
mm [inches]



Flow rate chart





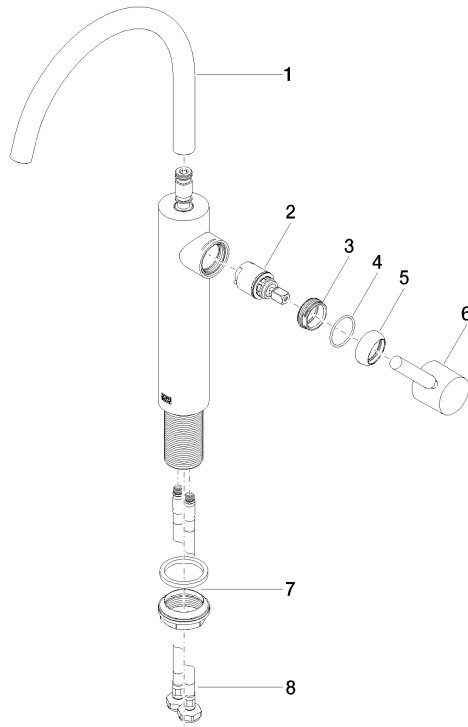
META Single-lever basin mixer with raised base without pop-up waste - Champagne (22kt Gold)

META

33 534 661

Product version from 1/23/2020

Parts for other finishes can be found here: [Chrome](#)





**META Single-lever basin mixer with raised base without pop-up waste -
Champagne (22kt Gold)**

META

33 534 661

Spare parts list

Product version from 1/23/2020

No.	Item Number	Name	Quantity used	Delivery time
	90 28 22 313 00-47	spout	9	30