



**RINCON™** PATHWAY BOLLARD

PRODUCT DATA





# RINCON™ PATHWAY BOLLARD

PRODUCT DATA

The **Rincon Pathway Bollard** blends a minimalist form, stainless steel construction, and the unparalleled performance of Cree® LEDs. Precision manufacturing gives shape to the 4.5" square profile and creates a virtually seamless appearance. Coordinating Rincon Bollards and Rincon Pedestrian Lighting make it easy to meet different lighting requirements while carrying the Rincon aesthetic across a project.

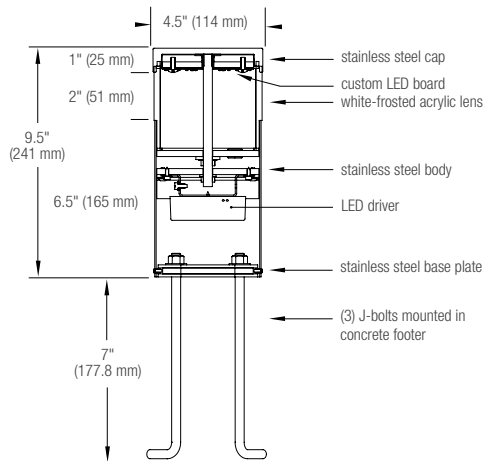
## MATERIAL & CONSTRUCTION DETAILS

## INSTALLATION & MAINTENANCE

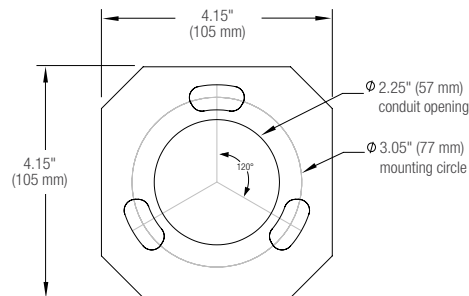
MATERIALS & FINISHES	DRIVERS	INSTALLATION
<ul style="list-style-type: none"> <li>Head consists of a 0.25" (6.4 mm) thick white-frosted acrylic lens and a cast stainless steel cap.</li> <li>Body is constructed from 0.06" (1.5 mm) stainless steel with a Satin or powdercoat finish. See the Forms+Surfaces Powdercoat Chart for details. Custom RAL colors are available for an upcharge.</li> </ul>	<ul style="list-style-type: none"> <li>LED driver includes high efficiency, constant output current, with over-voltage, short circuit, and overload protection.</li> <li>LED driver input power is 100-277V.</li> <li>Driver has 0-10V dimming capabilities.</li> <li>LED driver certifications include: IP66 (waterproof) enclosure, and Class 2 rated output (UL8750)</li> </ul>	<ul style="list-style-type: none"> <li>Standard mounting is surface mount with 3/8"-16 x 8" galvanized steel J-bolt anchors. 3/8" thick stainless steel base plate is slotted for rotational capability.</li> <li>Installation of a surge protector as part of each units wiring is recommended.</li> <li>Necessary hardware is included for all mounting options. Templates are available upon request.</li> </ul>
LED LIGHT ENGINE		MAINTENANCE
<ul style="list-style-type: none"> <li>Custom LED board with Cree® LEDs.</li> <li>Features advanced LED technology with 14W, 3000K warm white and 4000K neutral white LEDs.</li> </ul>		<ul style="list-style-type: none"> <li>Metal surfaces can be cleaned as needed using a soft cloth or brush with warm water and a mild detergent. Avoid abrasive cleaners.</li> </ul>

## NOMINAL DIMENSIONS

### SURFACE MOUNT WITH J-BOLTS



### BASE PLATE MOUNTING DETAILS



Cree® is a registered trademark of Cree, Inc. in the United States and/or other countries.

T 800.451.0410 | [www.forms-surfaces.com](http://www.forms-surfaces.com)

**FORMS+SURFACES®**

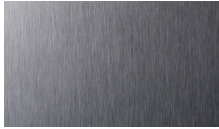
© 2018 Forms+Surfaces® | All dimensions are nominal. Specifications and pricing subject to change without notice. For the most current version of this document, please refer to our website at [www.forms-surfaces.com](http://www.forms-surfaces.com).



# RINCON™ PATHWAY BOLLARD

PRODUCT DATA

## STAINLESS STEEL BODY FINISH



STAINLESS STEEL, SATIN

## LAMP DESCRIPTIONS

LED ENGINE	DESCRIPTION	COLOR TEMPERATURE	LUMINAIRE LUMENS*	B.U.G. RATING	STARTING TEMPERATURE °C
3000K LED	14W custom LED light engine	3000K	780	B0-U3-G1	-30
4000K LED	14W custom LED light engine	4000K	780	B0-U3-G1	-30

\*LED lumens represents the absolute photometry for the luminaire, and indicates the lumens out of the entire fixture.

**NOTE: Polar candela and isofootcandle plots can be found on the Rincon Pathway Bollard product page on our website.**

## CERTIFICATION

- ETL and C-ETL listed for wet locations.

## ENVIRONMENTAL CONSIDERATIONS

- Please refer to the Rincon Pathway Bollard Environmental Data Sheets for detailed environmental impact information.
- Rincon Pathway Bollard has high recycled content and is highly recyclable.
- Powdercoat finishes are no- or low-VOC, depending on color.
- Low maintenance.

## MODEL NUMBERS AND DESCRIPTIONS

MODEL	DESCRIPTION
LBRNP-LED	Rincon Pathway Bollard, LED

## PRODUCT OPTIONS

The following options are available for an upcharge

Add powdercoat color from Forms+Surfaces Powdercoat Chart
Custom RAL powdercoat color

**LEAD TIME:** 6 to 8 weeks. Shorter lead times may be available upon request. Please contact us to discuss your specific timing requirements.

**PRICING:** Please contact us at **800.451.0410** or **sales@forms-surfaces.com**. At Forms+Surfaces, we design, manufacture and sell our products directly to you. Our sales team is available to assist you with questions about our products, requests for quotes, and orders. Territory Managers are located worldwide to assist with the front-end specification and quoting process, and our in-house Project Sales Coordinators follow your project through from the time you place an order to shipment.

**TO ORDER SPECIFY:** Quantity, finish, and lamp. Quote/Order Forms are available on our website to lead you through the specification process in a simple checkbox format.

**NOTE:** Because different computers will render colors and textures differently, actual colors and finishes may vary slightly from those shown here.