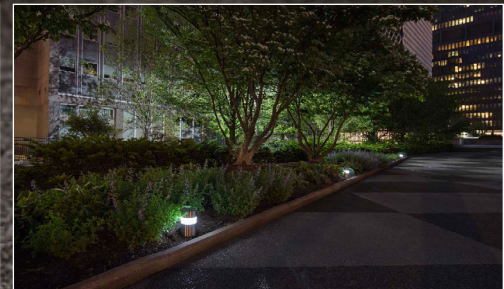
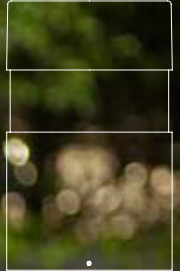




# LIGHT COLUMN PATHWAY BOLLARD

PRODUCT DATA





# LIGHT COLUMN PATHWAY BOLLARD

PRODUCT DATA

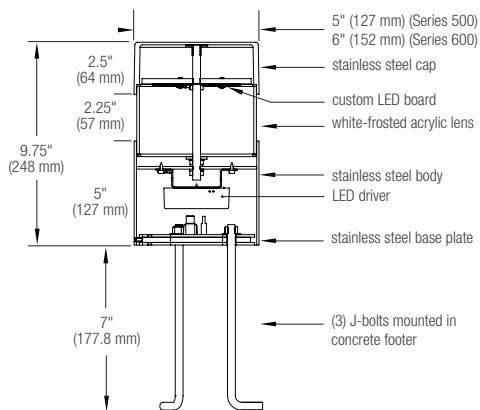
Sleek in stainless steel, the versatile **Light Column Pathway Bollard** readily integrates into a wide range of settings. Pathway Bollards have a compact overall height of 9.75" and are available in 5" or 6" diameters to match our other Light Column fixtures: Light Column Bollards in illuminated, RGBW, non-illuminated, and security core variations, and Light Column Pedestrian Lighting. Light Column Pathway Bollards feature high-performance Cree® LEDs.

## MATERIAL & CONSTRUCTION DETAILS

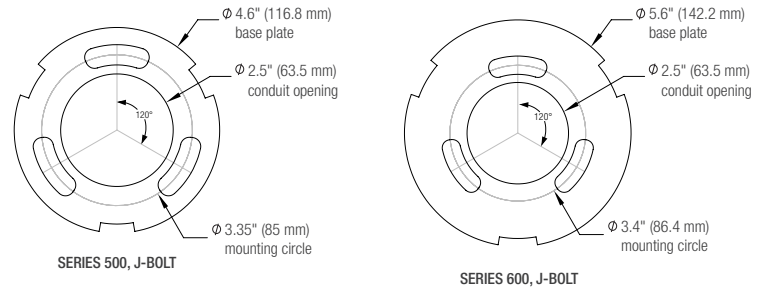
CONFIGURATIONS	MATERIALS & FINISHES	INSTALLATION
<ul style="list-style-type: none"> <li>Light Column Pathway Bollards are available in two sizes. Series 500 columns use 5" (127 mm) diameter tubular stainless steel; Series 600 columns use 6" (152 mm) diameter tubular stainless steel.</li> </ul>	<ul style="list-style-type: none"> <li>Pathway bollards have a tubular stainless steel column, white-frosted acrylic lens, and a stainless steel head cap.</li> <li>Standard stainless steel finish is Satin.</li> <li>For optional powdercoat colors see the Forms+Surfaces Powdercoat Chart. Custom RAL colors are available for an upcharge.</li> </ul>	<ul style="list-style-type: none"> <li>Standard mounting is surface mount with 3/8"-16 x 8" galvanized steel J-bolts anchors 3/8" thick stainless steel base plate is slotted for rotational capability.</li> <li>Necessary hardware is included for all mounting options. Templates are available upon request.</li> <li>Installation of a surge protector as part of each units wiring is recommended.</li> </ul>
WEIGHT	LEDS & DRIVERS	MAINTENANCE
<ul style="list-style-type: none"> <li>Series 500: 10 lbs (4.5 kg)</li> <li>Series 600: 13 lbs (5.9 kg)</li> </ul>	<ul style="list-style-type: none"> <li>Custom LED board with Cree® LEDs.</li> <li>Features advanced LED technology with 14W, 3000K warm white and 4000K neutral white LEDs.</li> <li>LED driver includes high efficiency, constant output current, with over-voltage, short circuit, and overload protection.</li> <li>LED driver input power is 100-277V.</li> <li>Driver has 0-10V dimming capabilities.</li> <li>LED driver certifications include: IP66 (waterproof) enclosure, and Class 2 rated output (UL8750)</li> </ul>	<ul style="list-style-type: none"> <li>Metal surfaces can be cleaned as needed using a soft cloth or brush with warm water and a mild detergent. Avoid abrasive cleaners.</li> </ul>

## NOMINAL DIMENSIONS

### SURFACE MOUNT WITH J-BOLTS



### BASE PLATE MOUNTING DETAILS





# LIGHT COLUMN PATHWAY BOLLARD

PRODUCT DATA

## LAMP DESCRIPTIONS

FIXTURE	LAMP	DESCRIPTION	COLOR TEMPERATURE	LUMINAIRE LUMENS*	B.U.G. RATING	STARTING TEMPERATURE °C
Series 500	3000K LED	14W custom LED light engine	3000K	886	B1-U3-G1	-30
Series 500	4000K LED	14W custom LED light engine	4000K	886	B1-U3-G1	-30
Series 600	3000K LED	14W custom LED light engine	3000K	808	B0-U3-G1	-30
Series 600	4000K LED	14W custom LED light engine	4000K	808	B0-U3-G1	-30

\*LED lumens represents the absolute photometry for the luminaire, and indicates the lumens out of the entire fixture.

**NOTE:** Polar candela and isofootcandle plots can be found on the Light Column Pathway Bollard product page on our website.

## CERTIFICATION

- ETL and C-ETL listed for wet locations.

## ENVIRONMENTAL CONSIDERATIONS

- Please refer to the Light Column Pathway Bollard Environmental Data Sheets for detailed environmental impact information.
- Light Column Pathway Bollard has high recycled content and is highly recyclable.
- Powdercoat finishes are no- or low-VOC, depending on color.
- Low maintenance.

## MODEL NUMBERS AND DESCRIPTIONS

MODEL	DESCRIPTION
LBLCP-501	Light Column Pathway Bollard, Series 500, LED
LBLCP-601	Light Column Pathway Bollard, Series 600, LED

## PRODUCT OPTIONS

The following options are available for an upcharge

Add powdercoat color from Forms+Surfaces Powdercoat Chart
Custom RAL powdercoat color

**LEAD TIME:** 6 to 8 weeks. Shorter lead times may be available upon request. Please contact us to discuss your specific timing requirements.

**PRICING:** Please contact us at **800.451.0410** or **sales@forms-surfaces.com**. At Forms+Surfaces, we design, manufacture and sell our products directly to you. Our sales team is available to assist you with questions about our products, requests for quotes, and orders. Territory Managers are located worldwide to assist with the front-end specification and quoting process, and our in-house Project Sales Coordinators follow your project through from the time you place an order to shipment.

**TO ORDER SPECIFY:** Quantity, model, finish, lamp, shield (if applicable), and mounting. Quote/Order Forms are available on our website to lead you through the specification process in a simple checkbox format.

**NOTE:** Because different computers will render colors and textures differently, actual colors and finishes may vary slightly from those shown here.