



WE ARE IB

Collection

KUSASI

Article

KU350

Description

Wall mounted shower mixer with shower kit.

Box Dimensions

220x200x150 mm

Weight

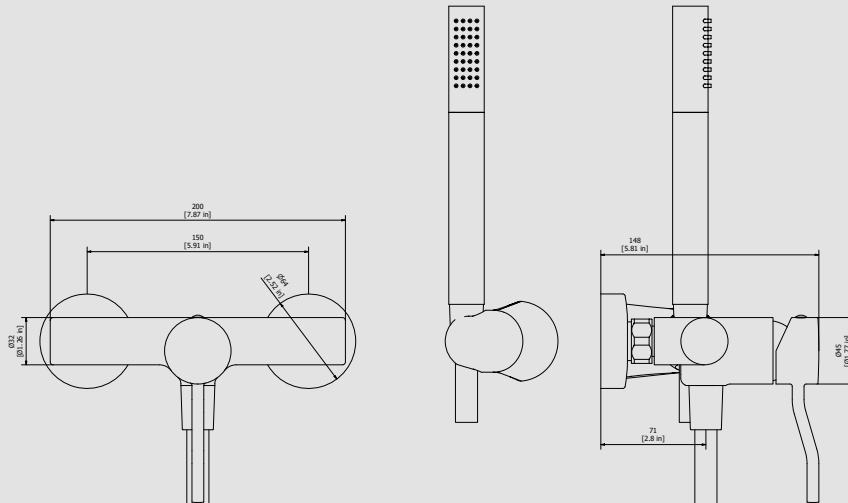
1.7 kg

Finishes

- CC**
CHROME
- PL**
PLATINUM
- SS**
BRUSHED
NICKEL
- ON**
NATURAL
BRASS
- BO**
MATT
WHITE
- NP**
MATT
BLACK
- CF**
BLACK
CHROME
- CS**
BRUSHED
BLACK
CHROME
- II**
PALE
GOLD
- IS**
BRUSHED
PALE GOLD
- RS**
ROSE
GOLD
- SR**
BRUSHED
ROSE GOLD
- OO**
GOLD
- OS**
BRUSHED
GOLD
- RR**
ANTIQUÉ
COPPER
- BB**
ANTIQUÉ
BRONZE



Dimensions



Cartridge

Ø35 ceramic cartridge

Threaded fitting

Aerator

Flow Rate (+/-10%)

| | | |
|---------------|---------------|---------------|
| 1 BAR | 2 BAR | 3 BAR |
| 10 l/m | 15 l/m | 18 l/m |

Production

Main body is a machined from a solid pieces

Material

BRASS
According to CuZn42 (CW510L)
Max Lead content: 0.2%

IB RUBINETTERIE s.p.a
via dei Pianotti 3/5
25068 Sarezzo (BS) - Italy -

T. +39 030 802101
F. +39 030 803097
info@weareib.it

P.IVA 01785230986
capitale sociale
€420.000,00 i.v.

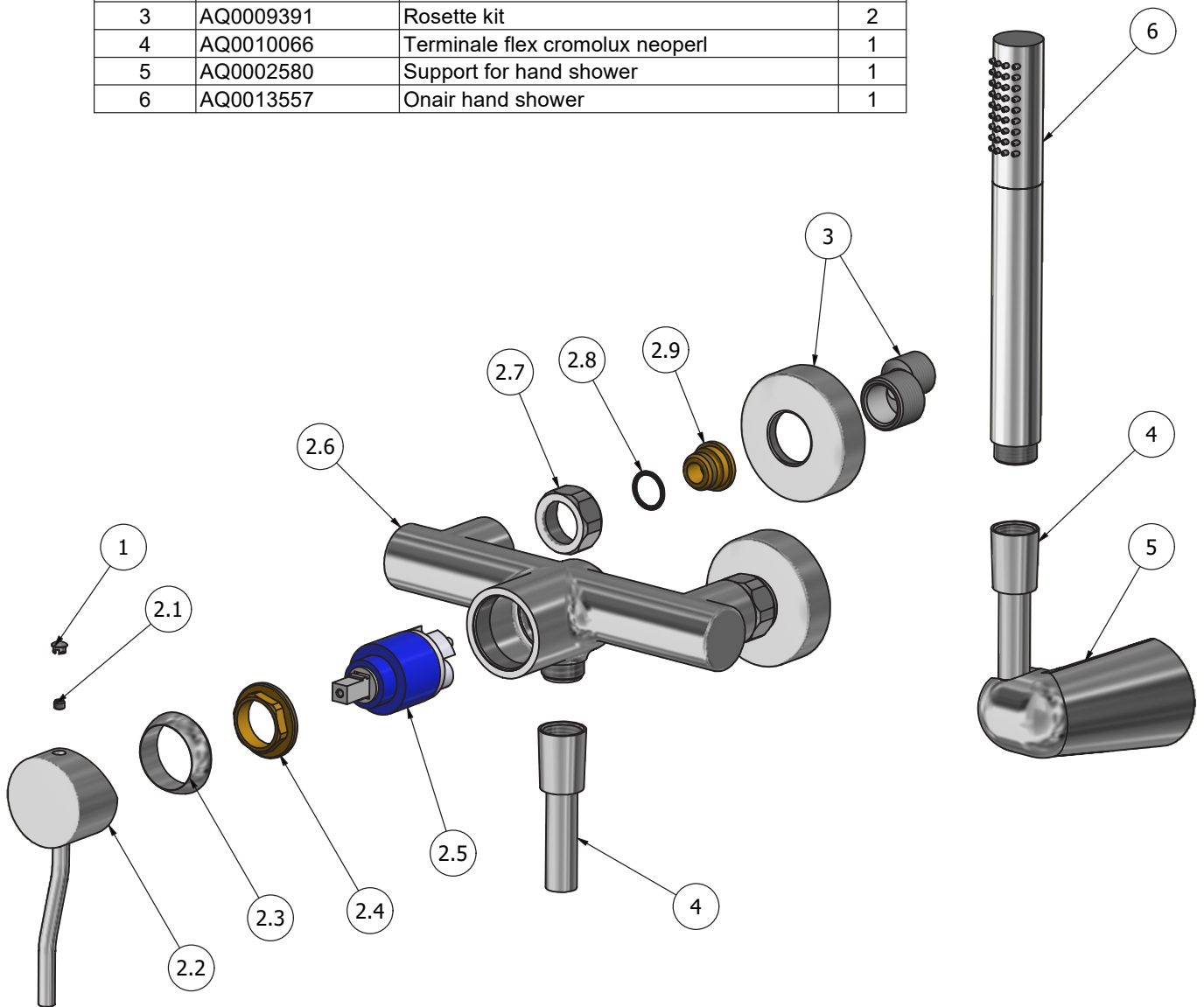
www.weareib.it





WE ARE IB

| Elenco parti | | | |
|--------------|---------------|--|-----|
| ELEM. | CODICE | NUMERO DI MAGAZZINO | QTÀ |
| 1 | AQ0006650 | Plug cover Ø7 | 1 |
| 2 | CPKKU350CCX01 | Preassembled wall-mounted shower mixer | 1 |
| 2.1 | AQ0009541 | ISO 4026 - M5 x 4 | 1 |
| 2.2 | AQ0009475 | Kusasi zamak lever Ø45 L125 | 1 |
| 2.3 | AC0010066 | Nut cover M37x1,5 Ø40.3 H13 | 1 |
| 2.4 | AQ0001040 | Cartridge ring nut M37x1.5 H9 | 1 |
| 2.5 | AQ0004075 | Ceramic cartridge Ø35 9x9 with distributor | 1 |
| 2.6 | CC0001550 | Mixer body shower | 1 |
| 2.7 | AC0000710 | Fixing nut G3/4" H14 CH30 | 2 |
| 2.8 | AQ0004600 | OR 15.6x1.78 NBR 70 SH | 2 |
| 2.9 | AQ0001931 | Threaded connection piece M18x1.5 L H15.8 | 2 |
| 3 | AQ0009391 | Rosette kit | 2 |
| 4 | AQ0010066 | Terminale flex cromolux neoperl | 1 |
| 5 | AQ0002580 | Support for hand shower | 1 |
| 6 | AQ0013557 | Onair hand shower | 1 |





WARRANTY

All IB Rubinetterie SpA products are warranted for 10 years from the date of purchase, for the following cases:

- Defects of casting, porosity and chrome plating.
- Operating defects caused by incorrect fabrication.

The warranty provides for repair or replacement of products with fabrication defects recognized by our technical office. There is no other type of compensation anche the merchandise must be returned FOB our warehouse. The warranty only cover surface defects (scatches, dings, etc.) on fitting that have not been installed and used, returned in its original packaging with all components. O-ring, gasket seals and components subject to wear proportional to use are warranted for 2 years.

The warranty is void in the following cases:

Error installing and putting the product into service.

Deterioration of finished surfaces due to use of cleaning products containing acids or abrasive substances. Deterioration of surface with finishes other than chrome plating. Their durability is, in fact, dependent on the user's care and gentleness of use.

Deterioration of the fitting due incorrect installation.

Improper repairs and maintenance performed without the company's prior authorization.

The warranty from IB Rubinetterie SpA is not renewable.

Cleaning

We recommended cleaning the finish surfaces with water and soap, using a soft cloth.

Do not use detergents that contain hydrochloric acid or abrasive substances.

