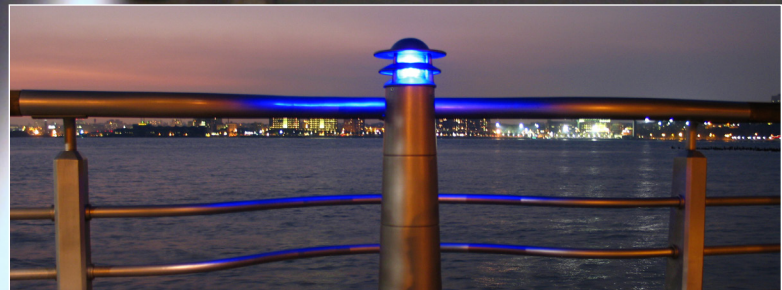
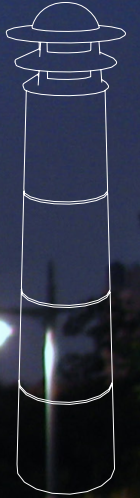




LIGHTHOUSE BOLLARD

PRODUCT DATA





LIGHTHOUSE BOLLARD

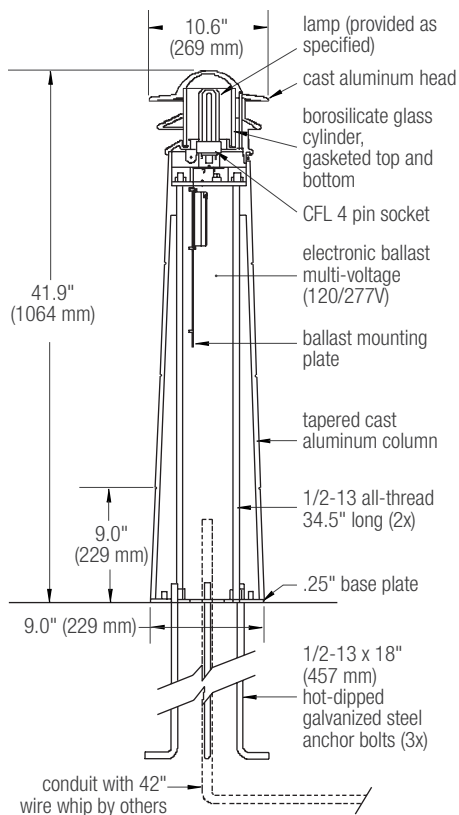
PRODUCT DATA

The **Lighthouse Bollard** is unlike any other lighting fixture on the market. A contemporary interpretation of classic lighthouse design, the Lighthouse Bollard is a unique combination of efficient performance and irresistible visual appeal. From waterfront settings to city streets, Lighthouse is built to withstand the demands of any environment.

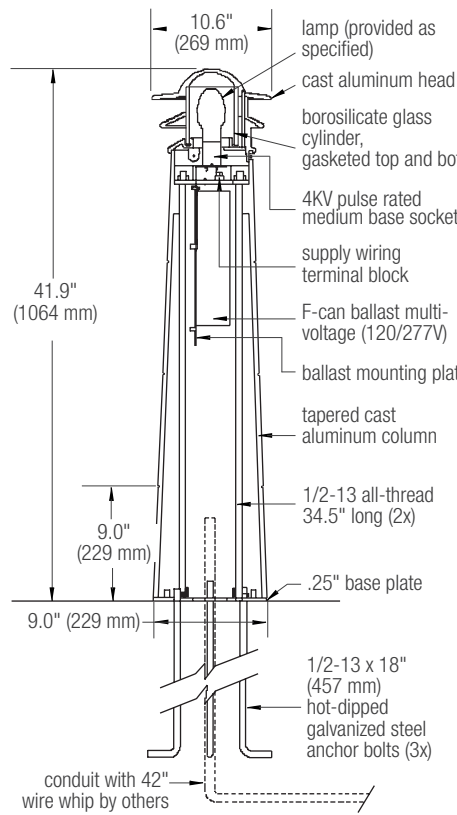
MATERIAL & CONSTRUCTION DETAILS

COLUMN	FINISH	LAMP	INSTALLATION
<ul style="list-style-type: none"> Column is made from solid corrosion-resistant cast aluminum and features horizontal score lines. 	<ul style="list-style-type: none"> See the Forms+Surfaces Powdercoat Chart for details. Custom RAL colors are available for an upcharge. Due to the inherent nature of metal castings, gloss powdercoats are not offered for cast components. 	<ul style="list-style-type: none"> Standard lamps are compact fluorescent (CFL) or high intensity discharge (HID). See lamp information on pages 2 and 3. All metal halide HID lamps are coated and color-improved. 	<ul style="list-style-type: none"> Standard mounting is surface mount with 1/2"-13x18" galvanized steel J-bolt anchors. Installation of a surge protector as part of each units wiring is recommended. Necessary hardware is included. Templates available upon request.
HEAD	WEIGHT	BALLAST	MAINTENANCE
<ul style="list-style-type: none"> Head is a 3-part cast aluminum assembly with a frosted borosilicate glass lens cylinder and gasketed top and bottom. 	<ul style="list-style-type: none"> 56 lbs (25 kg) 	<ul style="list-style-type: none"> CFL: electronic, thermally protected, 120/277V combination for 26W or 42W compact fluorescent lamp, less than 10% THD, 0 °F starting temperature. HID: F-can ballast, thermally protected, 120/277V, -20 °F starting temperature, class B sound rating. 	<ul style="list-style-type: none"> Metal surfaces can be cleaned as needed using a soft cloth or brush with warm water and a mild detergent. Avoid abrasive cleaners.

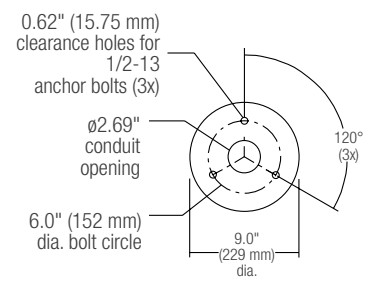
NOMINAL DIMENSIONS (CFL LAMPS)



NOMINAL DIMENSIONS (HID LAMPS)



BASE PLATE MOUNTING DETAIL



T 800.451.0410 | www.forms-surfaces.com

FORMS+SURFACES®

© 2018 Forms+Surfaces® | All dimensions are nominal. Specifications and pricing subject to change without notice. For the most current version of this document, please refer to our website at www.forms-surfaces.com.



LIGHTHOUSE BOLLARD

PRODUCT DATA

LAMP DESCRIPTIONS

LAMP	DESCRIPTION	BASE	COLOR TEMPERATURE	LUMINAIRE LUMENS*	B.U.G. RATING	ANSI CODE
CFM26	26W triple tube 4-pin compact fluorescent	GX24q-3	4,100	424	B0-U2-G1	---
CFM42	42W triple tube 4-pin compact fluorescent	GX24q-4	4,100	779	B1-U3-G1	---
M70	70W metal halide, high intensity discharge	E26 medium	4,000	1364	B1-U3-G2	M143/M98/E

*Luminaire lumens represents the absolute photometry for the luminaire, and indicates the lumens out of the entire fixture.

NOTE: Polar candela and isofootcandle plots can be found on the Lighthouse Bollard product page on our website.

CERTIFICATION

- UL and C-UL listed for wet locations.

ENVIRONMENTAL CONSIDERATIONS

- Please refer to the Lighthouse Bollard Environmental Data Sheet for detailed environmental impact information.
- Lighthouse Bollard has high recycled content and is highly recyclable.
- Powdercoat finishes are no- or low-VOC, depending on color.
- Low maintenance.

MODEL NUMBERS AND DESCRIPTIONS

MODEL	DESCRIPTION
L209-HID	Lighthouse Bollard, HID
L209-CF	Lighthouse Bollard, CFL

PRODUCT OPTIONS

The following options are available for an upcharge

Premium Texture Colors from Forms+Surfaces Powdercoat Chart
Custom RAL powdercoat color

LEAD TIME: 6 to 8 weeks. Shorter lead times may be available upon request. Please contact us to discuss your specific timing requirements.

PRICING: Please contact us at **800.451.0410** or **sales@forms-surfaces.com**. At Forms+Surfaces, we design, manufacture and sell our products directly to you. Our sales team is available to assist you with questions about our products, requests for quotes, and orders. Territory Managers are located worldwide to assist with the front-end specification and quoting process, and our in-house Project Sales Coordinators follow your project through from the time you place an order to shipment.

TO ORDER SPECIFY: Quantity, model, powdercoat color, lamp. Quote/Order Forms are available on our website to lead you through the specification process in a simple checkbox format.