

33 504 660



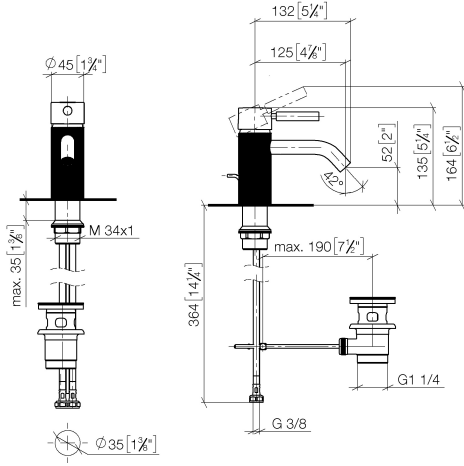
- 125mm projection
- With linear texture
- fixed spout
- circular, air-enriched flow
- height of mixer 135 mm
- height up to aerator 52 mm
- hole diameter 35 mm
- 2x screw-in M 8 x 1 pressure hose, leak-tested
- max. flow 5.7 l/min
- lead-free
- This product can help a building meet the requirements of Green Building Rating Systems, e.g. LEED®, BREEAM®, DGNB
- WRAS 2003058

Only suitable for basins with an overflow.

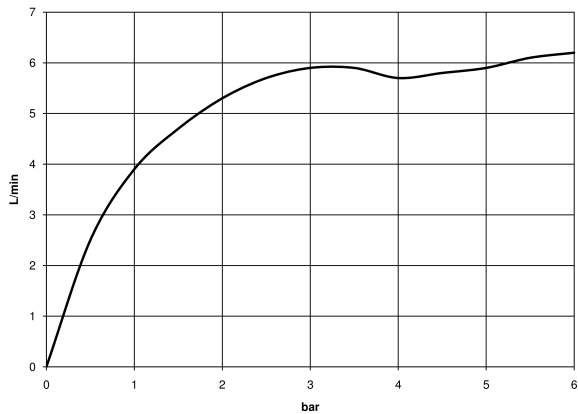
| | | |
|--|-------------------------------|---------------|
|  | Light Gold | 33 504 660-26 |
|  | Chrome | 33 504 660-00 |
|  | Brushed Platinum | 33 504 660-06 |
|  | Dark Chrome | 33 504 660-19 |
|  | Brushed Light Gold | 33 504 660-27 |
|  | Matte Black | 33 504 660-33 |
|  | Brushed Bronze | 33 504 660-42 |
|  | Brushed Champagne (22kt Gold) | 33 504 660-46 |
|  | Champagne (22kt Gold) | 33 504 660-47 |
|  | Brushed Chrome | 33 504 660-93 |
|  | Brushed Dark Platinum | 33 504 660-99 |

33 504 660

mm [inches]



Flow rate chart



Codes & Standards

DIN 4109

ISO 3822

Ü-Zeichen



META Single-lever basin mixer with pop-up waste - Light Gold

META

33 504 660

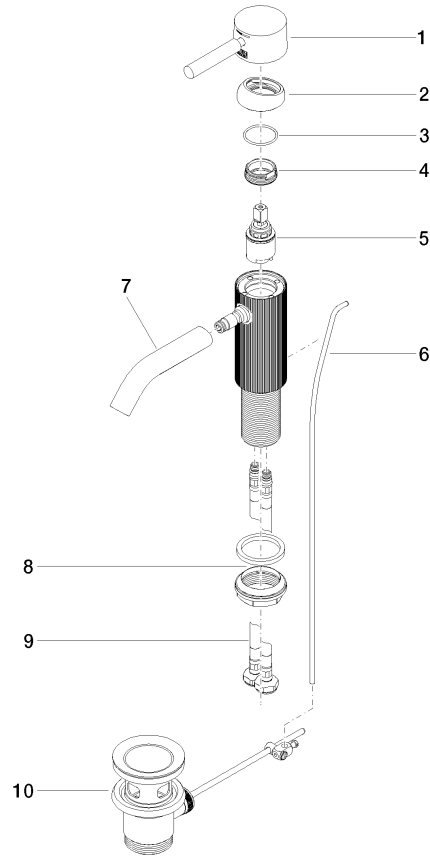
Certificates

LGA_38

33 504 660

Product version from 5/1/2022

Parts for other finishes can be found here: [Chrome](#)





META Single-lever basin mixer with pop-up waste - Light Gold

META

33 504 660

Spare parts list

Product version from 5/1/2022

| No. | Item Number | Name | Quantity used | Delivery time |
|-----|--------------------|--------|---------------|---------------|
| | 90 20 66 031 00-26 | handle | 11 | 30 |