

# LAUFEN INSTALLATION SYSTEM

**CW2**

**Concealed frame with 4.5L cistern  
for wallhung WC  
and for shower toilet**

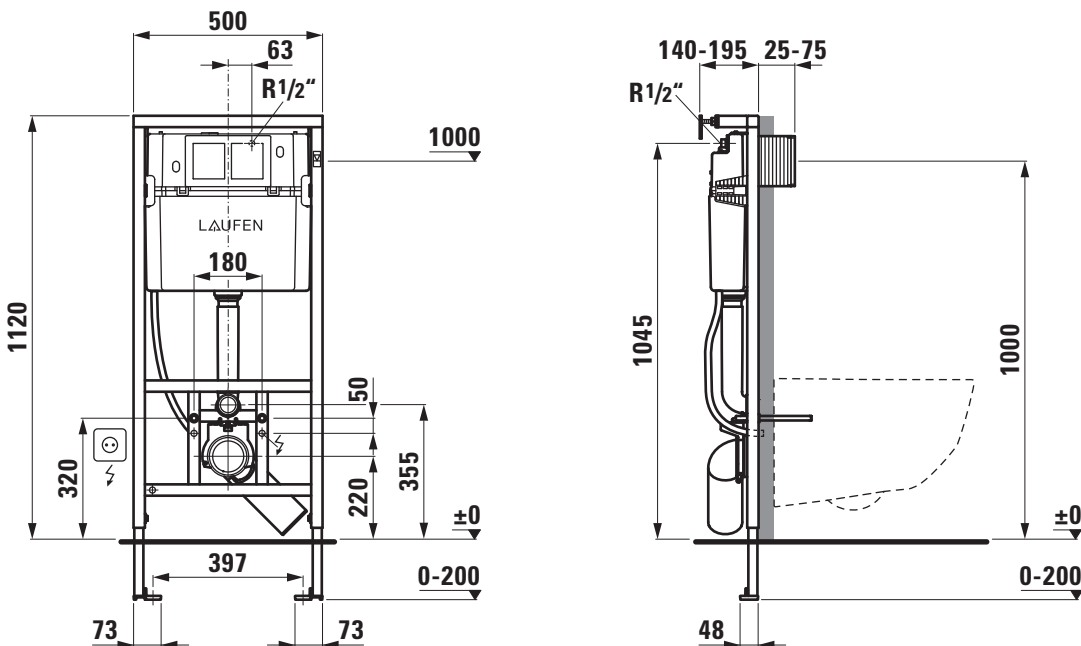
**89466.6**



## TECHNICAL DATA

Order no.	89466.6	Installation depth	140-195 mm
Certified to	EN 14055	Weight	14,5 kg
matching for	All LAUFEN wallhung toilets, also suitable for LAUFEN wallhung shower toilets	Mounting acc. incl.	Fastening set to floor and wall, WC connection set, tiling set, protection caps (for WC connection pipes) and protection tubes for M12 threaded rods, angle valve 1/2".
Specifications	For mounting in front of a solid or drywall con- struction, self-supporting, with frontal actuator, with water condensation insulation. Dual-Flush 4/2-l. Flush valve with silicon seal. Fill valve with anti-siphon system.	Mounting acc. excl.	Sound insulation set, order no. 89269.6
Other specifications	Galvanized leg supports, rotatable, height-adjustable 0-200 mm. Supporting frame made of steel profiles. Capable to resist 400 kg	Accessories excl.	Actuator plates dual flush, order no. 89566.1, 89566.2 (stainless steel) Electronic actuator plate dual flush, order no. 89566.3, 89566.4 Support bar for handle and holding systems, order no. 89266.7, 89266.8
Water inlet	rear R 1/2", brass	Mounting information	Please note the necessary wall thickness of 80 mm in case of pre-wall installation. Height from finished floor to top of WC pre-set to 400 mm, adjustable between 390-450 mm. System installation is also possible between modular walls (plasterboard).
Outlet	DN 90/110	Colours	Surface powder coated blue
Flow pressure range	0.5-10 bar		
Water temperature	max. 25°C		
Tank	Thickness 110 mm, material PP		

## TECHNICAL DRAWINGS / S 1 : 20



**LAUFEN**