

### Features

- 66"L x 35-7/8"W x 20"H.
- Extra length and width enhance bathing comfort.
- Designed for one-person bathing.
- Includes integral flange to simplify installation and prevent the possibility of water damage behind the wall.
- Textured bottom surface.

### Material

- Acrylic.

### Installation

- Alcove.

### Recommended Products/Accessories

- K-1234 Removable Apron
- K-1491 Bath/Whirlpool Pillow
- K-7161-AF 1-1/2" adjustable pop-up drain above- or through-floor
- K-24916 Wireless Music Kit
- K-1601 Bath/Whirlpool Footstop
- K-7213 27" Cable Bath Drain
- K-7214 27" Cable Bath Drain
- K-7259 Clearflo Bath Drain
- K-37380 30" Rough-in Cable Bath Drain
- K-37383 Rough-in cable bath drain, PVC, 30" cable with tubing
- K-23726 Drain treatment
- K-23732 Tub & shower cleaner
- K-7265 Clearflo Bath Drain
- K-37386 rough-in cable drain, PVC, 30" cable
- K-7166-AF Bath Drain



### Codes/Standards






- CSA B45.5/IAPMO Z124
- ASTM E162
- ASTM E662

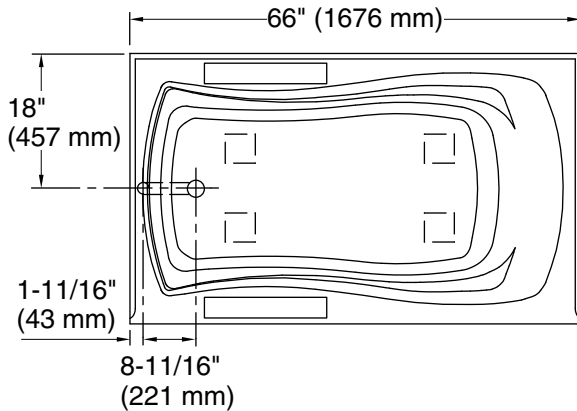
### KOHLER® Plastic Baths and Receptors Lifetime Limited Warranty

See website for detailed warranty information.

### Available Colors/Finishes

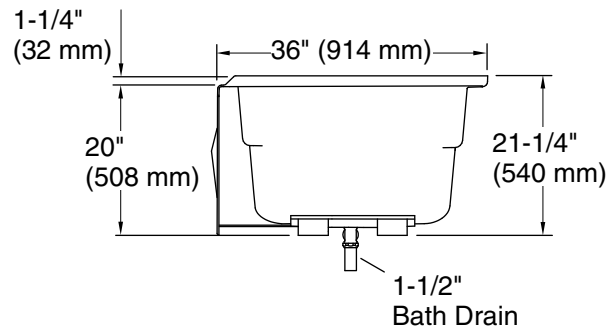
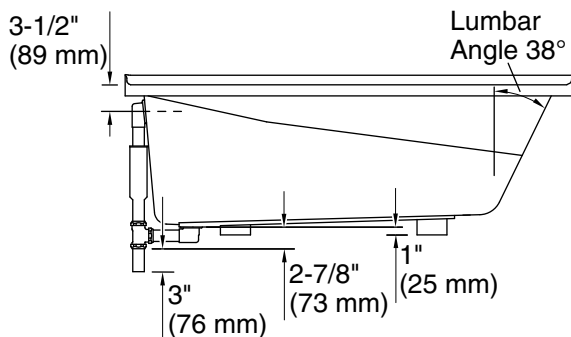
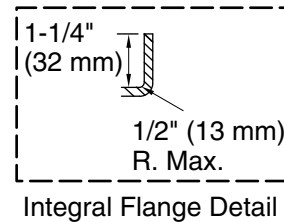
*Color tiles intended for reference only.*

| Color  | Code | Description |
|--|------|-------------|
|  | 0    | White       |
|  | 96   | Biscuit     |
|  | 47   | Almond      |
|  | NY   | Dune        |
|  | G9   | Sandbar     |



No change in measurements if connected with drain illustrated. (K-7161-AF)

□ Recommended Faucet Location



### Technical Information

All product dimensions are nominal.

|                        |   |
|------------------------|---|
| Installation:          | Three-wall alcove                                 |
| Drain location:        | Left  |
| Basin area, bottom:    | 48" x 24" (1219 mm x 610 mm)                      |
| Basin area, top:       | 59" x 30" (1499 mm x 762 mm)                      |
| Weight:                | 65 lbs (29.5 kg)                                  |
| Minimum floor load:    | 39 lbs/ft <sup>2</sup> (190.4 kg/m <sup>2</sup> ) |
| Water depth:           | 14" (356 mm)                                      |
| Water capacity:        | 67 gal (253.6 L)                                  |
| Minimum flat for door: | 1-15/16" (49 mm)                                  |

### Notes

Measure your actual product for rough-in details. Install this product according to the installation instructions.

The hot water supply should be 70% of the capacity of the bath or greater. Installations will vary.

If installing a rim-mount faucet, make sure there is no interference above or below the deck before drilling any holes.