

Walraven VibraTek® MR-B Rubber Mount

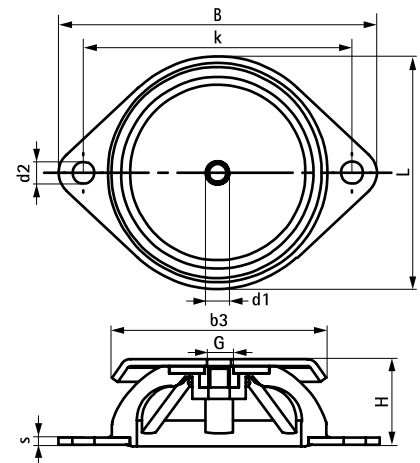
(L2 05 30)

bell-shaped elastomer isolator for isolation of equipment and machinery



Свойства и преимущества

- recommended for machinery with working speeds above 2500 RPM, providing a degree of vibration insulation from 75% to 80%
- ideally suited for machinery with radial vibration (as opposed to axial) and prone to sudden or pronounced starts and stops)
- metal and rubber parts can be separated for recycling



Арт. №	G	L	B	b3	H	s	d1	d2	k	Min. Load	Max. Load	Min. Optimal Load	Max. Optimal Load	Max. Deflection	Уп.мин
			(мм)	(мм)	(мм)	(мм)	(мм)	(мм)	(мм)	(Н)	(Н)	(Н)	(Н)	(мм)	
2801800240	M6	66 mm	90	60	24	2	6,7	6,2	76	25	240	50	225	3,5	100
2801800750	M8	86 mm	120	80	27	3	8,2	8,2	100	50	750	130	700	4,0	50
2801801500	M10	106 mm	148	100	28	3	11	10,2	124	100	1 500	150	1 400	5,5	25

See Product Data Sheet for further technical information.