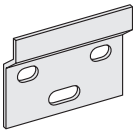
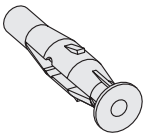
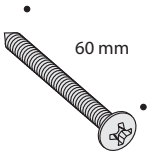


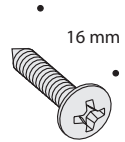
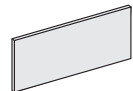
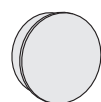


CASE



A		x 2
B		x 5
C		x 5
D		x 4
H		x 1
I		x 1
Aq		x 3
Bb		x 4