

Sink Circolari 1010 008

Sinks

Code: 1010 008



DETAILS

Finish Foster brushed

Material AISI 304 stainless steel

Texture Foster brushed

Base 45 cm

Edge/Installation Type Undermount

Dimensions Ø 440 mm

Standard fittings Fixing hooks, gasket, drain, overflow and siphon, boxed packing

Mixer holes No standard holes

Built-in hole Ø 371 mm

Drainer No

Width 44 cm

Bowl dimension Ø 380mm

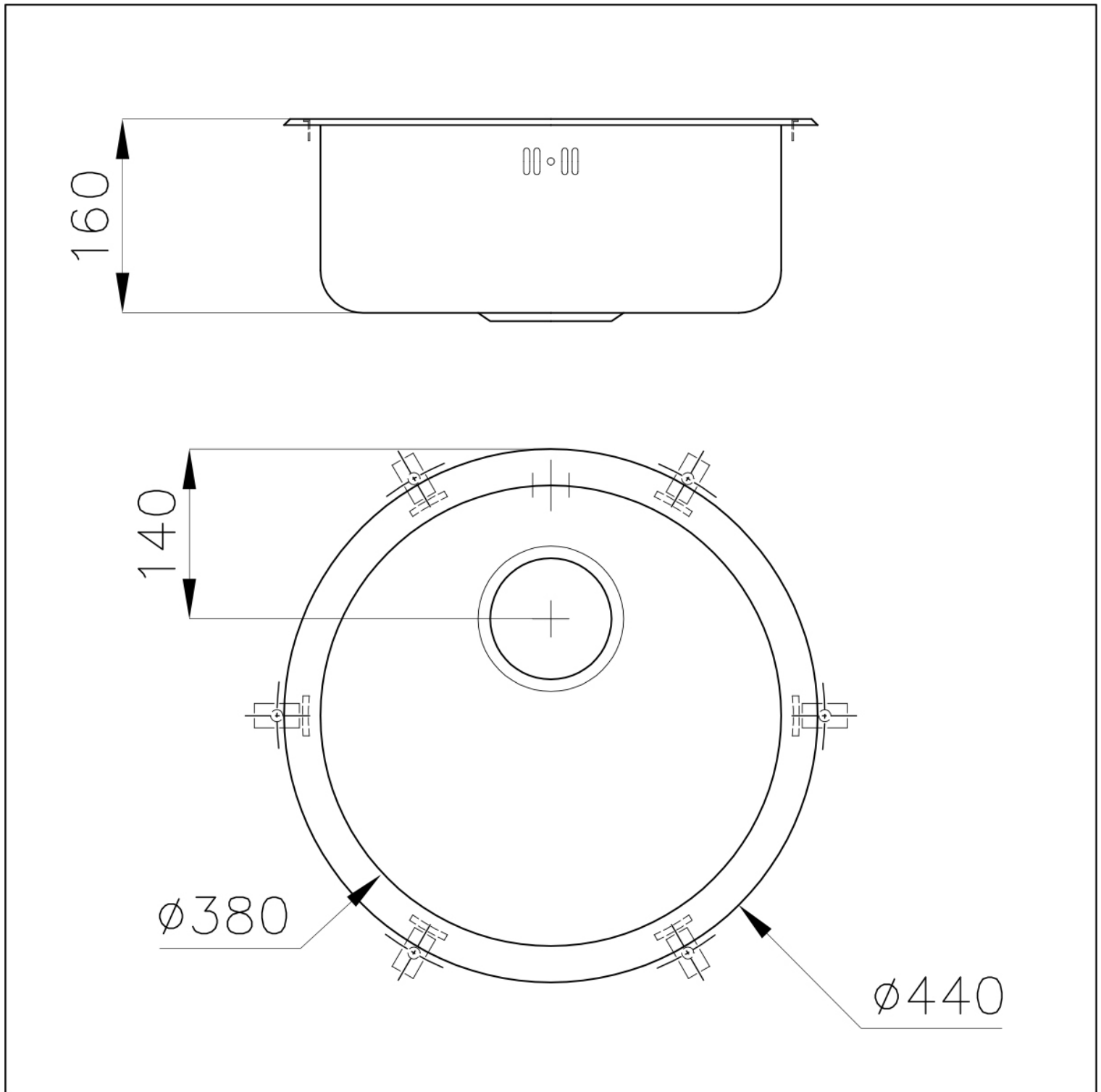
Number of bowls 1 bowl

Waste fitting 2" Drain

FEATURES

Added value Foster uses steel thicknesses higher than those used on average by other manufacturers. This is how, thanks to our long experience, we know how to make sinks of superior quality and with a better resistance to aging.

TECHNICAL DATA



RECOMMENDED PAIRINGS



Mixer Tap F2000 - Alto 8458 000



Mixer Tap S1000 - Z65 8449 500

OPTIONAL AUTOMATIC WASTE FITTINGS



LIRA automatic waste fitting
8407 102



LIRA automatic waste fitting
8407 103