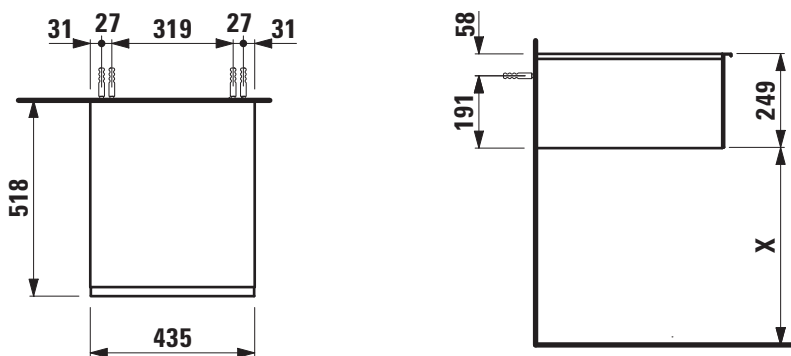




TECHNICAL DATA

Order no.	41110.1 / 1 drawer	Mounting acc. incl.	Installation set for furniture, order no. 49114.0
Dimensions (WxHxD)	435 x 249 x 518 mm	Mounting information	The walls installed on must meet the requirements of the furniture in terms of weight and the supplied fastening elements. If this cannot be guaranteed another method of installation needs to be chosen. For example with feet.
Specification	Body/Front – high-pressure laminate surface (HPL) - water resistant, high impact and scratch resistant extruded anodised aluminium drawer front frame-handle combination drawer fronts 3 mm solide-core HPL material 1 drawer (soft-close mechanism)	Colours Body/Front/ Frame with handle	100 – White matt, with light aluminium frame 101 – Light walnut, with light aluminium frame 103 – Dark elm, with dark aluminium frame 999 – 38 other lacquered colours on request, available with light or dark aluminium frame
Weight	14,5 kg	Colours Feet	light or dark aluminium feet
Accessories excl.	Drawer separation small 200 x 45 x 376 mm, order no. 49540.3 Drawer separation large 320 x 45 x 376 mm, order no. 49540.7 Feet (2 pieces), aluminium, order no. 41122.0		

TECHNICAL DRAWINGS / S 1 : 20



X = The exact hight must be set during installation.