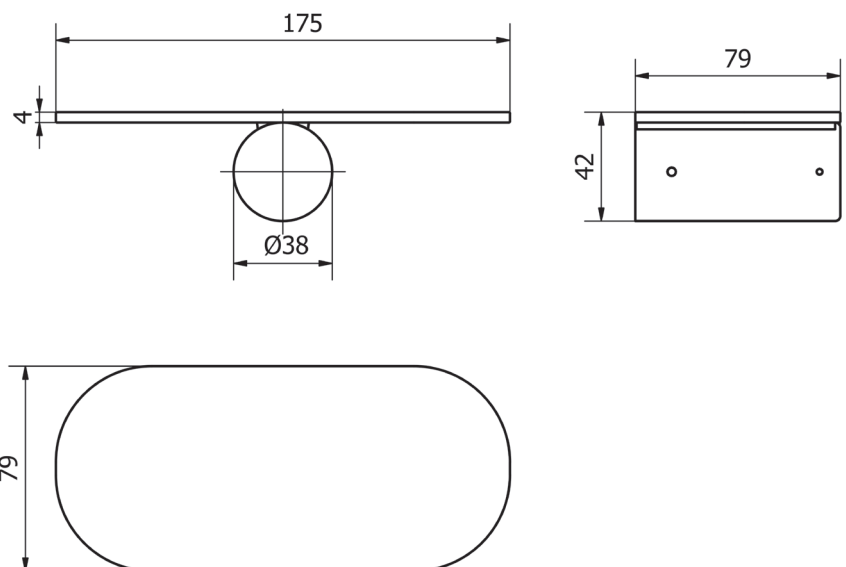


product technical sheet

article code	EVDT601 - EVDT602 - EVDT603 - EVDT604
product family	Ever Life Design
product line	Dot
versions	EVDT601 Shelf - RAL9011 Black EVDT602 Shelf - RAL9016 White EVDT603 Shelf - Chrome plated EVDT604 Shelf - Brushed nickel
description	Shelf. The product can be integrated with other items (towel holder, magazine holder, paper holder). The combination of several elements of the DOT series allows configuring customized figures. Load on the cover (centrally located): 120 kg
materials	Cover and wall support in turned brass NBR. elastic elements Locking screws in stainless steel Cover: painted / chrome plated / brushed nickel, depending on the version. Wall support in yellow brass Shelf in brass, welded to the cover: painted / chrome plated/ brushed nickel, depending on the version.
certifications	TUV certification system UNI EN ISO 9001: 2008
fixing	Wall fixing by plugs and screws not included in the package. Choose the appropriate type of plug according to the type of wall in which it will be fixed.
maintenance	Make a proper cleaning with soap and water, do not use aggressive, abrasive, corrosive, acid, acetone, paint thinner, etc. Do not scratch the paint / chrome / nickel coating. Periodically check the correct mounting and installation robustness. Do not use the product for purposes other than those intended.



ST_PRODOTTO: EVDT601 - EVDT602 - EVDT603 - EVDT604 - REV.00 - 15/03/2017 - APPROVED T.D.

The above mentioned information cannot be considered as binding. Thermomat Saniline srl reserves the right to make technical and aesthetic changes without any prior notice.

