

product technical sheet

EVDT501 - EVDT502 - EVDT503 - EVDT504
 Ever Life Design
 Dot

- article code
- product family
- product line
- versions
- description
- materials
- certifications
- fixing
- maintenance

EVDT501 Shelf with glasses - RAL9011 Black
 EVDT502 Shelf with glasses - RAL9016 White
 EVDT503 Shelf with glasses - Chrome plated
 EVDT504 Shelf with glasses - Brushed nickel

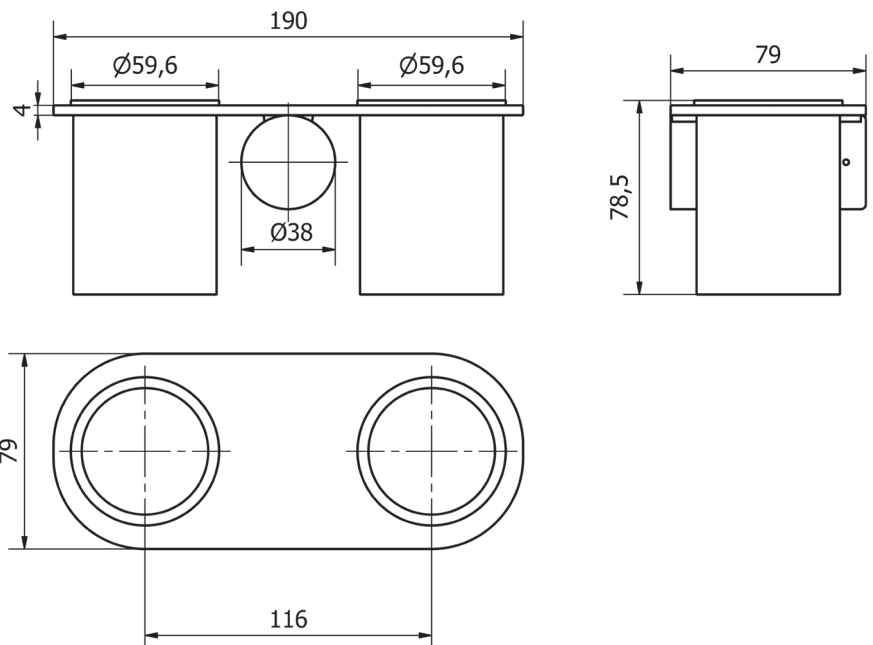
Shelf with glasses. The product can be integrated with other items (towel holder, magazine holder, paper holder). The combination of several elements of the DOT series allows configuring customized figures. Load on the cover (centrally located): 120 kg

Cover and wall support in turned brass
 NBR. elastic elements
 Locking screws in stainless steel
 Cover: painted / chrome plated / brushed nickel brass, depending on the version.
 Wall support in yellow brass
 Shelf in brass, welded to the cover: painted / chrome plated/ brushed nickel, depending on the version.
 Glasses in turned aluminum: painted / chrome plated/ brushed nickel, depending on the version.

TUV certification system UNI EN ISO 9001: 2008

Wall fixing by plugs and screws not included in the package. Choose the appropriate type of plug according to the type of wall in which it will be fixed.

Make a proper cleaning with soap and water, do not use aggressive, abrasive, corrosive, acid, acetone, paint thinner, etc. Do not scratch the paint / chrome / nickel coating. Periodically check the correct mounting and installation robustness. Do not use the product for purposes other than those intended.



ST_PRODOTTO: EVDT501 - EVDT502 - EVDT503 - EVDT504 - REV.00 - 15/03/2017 - APPROVED T.D.

The above mentioned information cannot be considered as binding. Thermomat Saniline srl reserves the right to make technical and aesthetic changes without any prior notice.

