

Sink Uragano 1555 070

Sinks

Code: 1555 070



DETAILS

Finish Foster brushed

Material AISI 304 stainless steel

Texture Foster brushed

Base 100 cm

Edge/Installation Type Standard (8 mm Edge)

Dimensions 970x500 mm

Standard fittings Fixing hooks, gasket, drain, overflow and siphon, boxed packing

Mixer holes 1 standard hole

Built-in hole 950x480 mm

Drainer No

Width 97 cm

Bowl dimension 910x440mm

Number of bowls 1 bowl

Waste fitting 7" drain

FEATURES

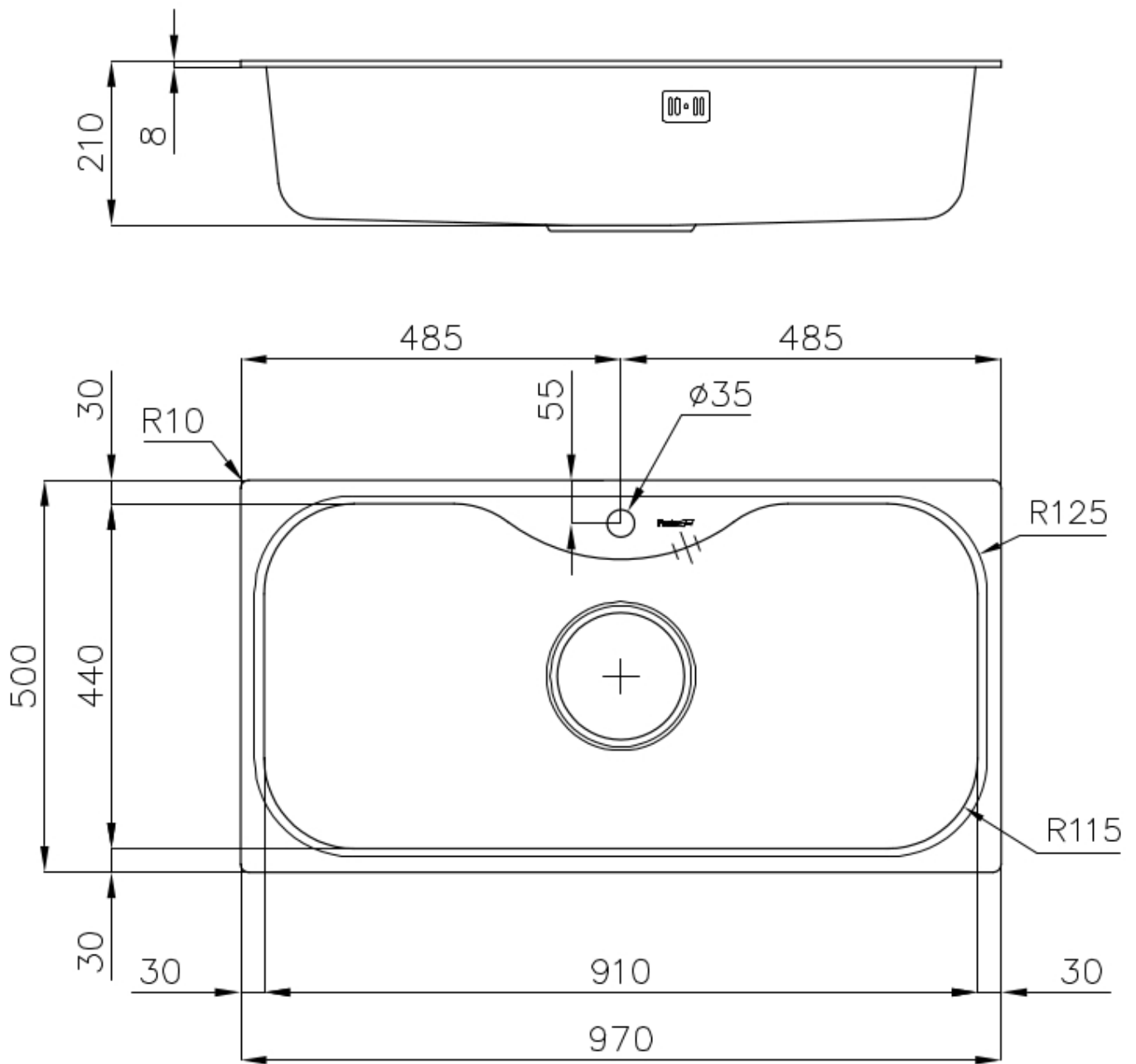
7" xxl waste fitting The 7" exhaust has dimensions that are much higher than the standard. The drain includes a large and deep basket for the collection of food waste.

Deep bowls This bowls reach an important depth, over 20 cm, thanks to the advanced production technology, that can be offer great capincy and practicity in all the washing operations.

High thickness 1mm thick steel. A significant thickness, which guarantees the maximum sturdiness and durability.

Sliding brackets

TECHNICAL DATA



EQUIPMENT

OPTIONAL ACCESSORIES



Iroko-wood chopping board 8659 112



Iroko-wood twin chopping board 8644 003



Stainless steel bowl-holder ring 8100 112



Stainless steel colander 8154 000



Stainless steel plate rack 8100 111



Stainless steel plate rack 8100 154



Vaschetta bianca 8152 100



White colander 8151 100

WARNING:

The accessories 8100154, 8154000 are only usable in combination with 8644003

The accessory 8152100 is only usable in combination with 8100112

RECOMMENDED PAIRINGS



Mixer Tap KS Plus 8522 000



Mixer Tap Magnum 8484 000