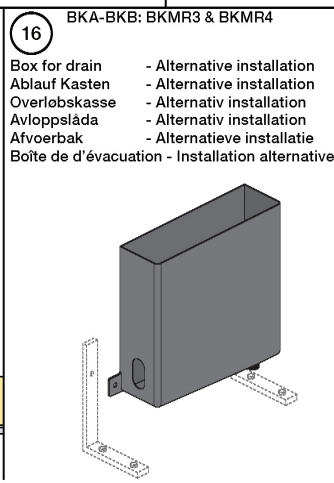
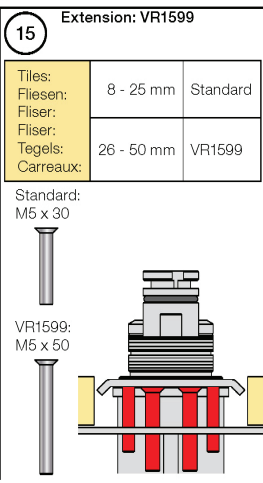
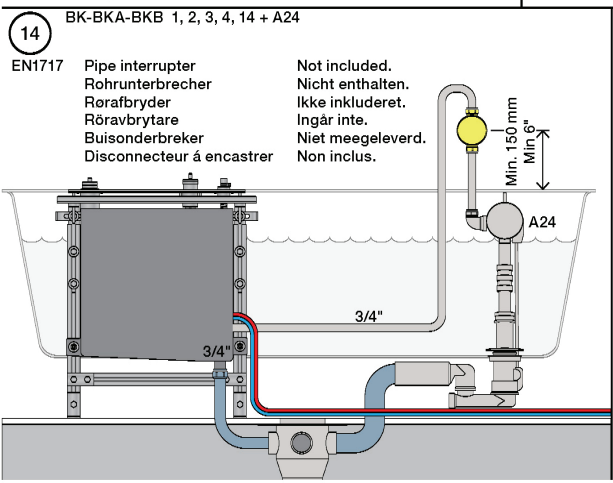
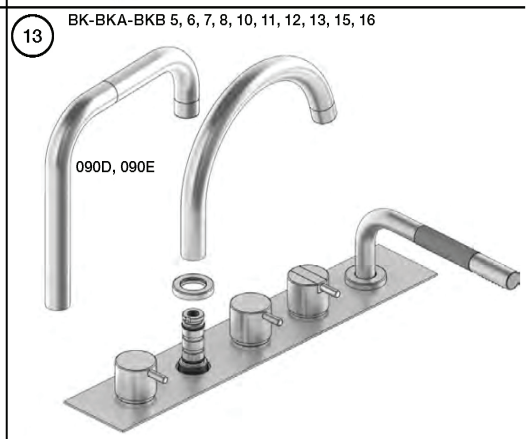
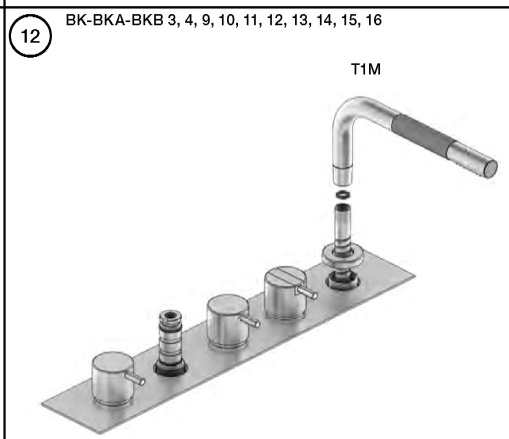
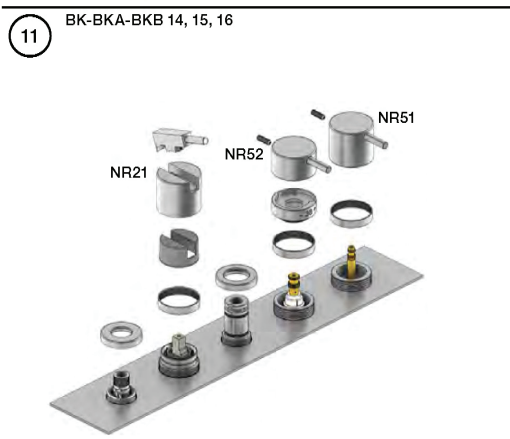
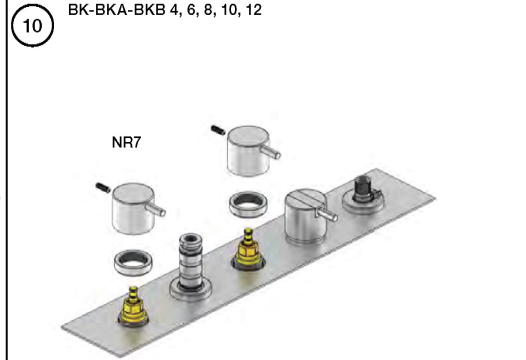
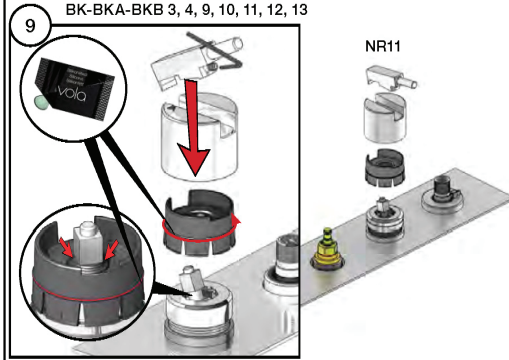
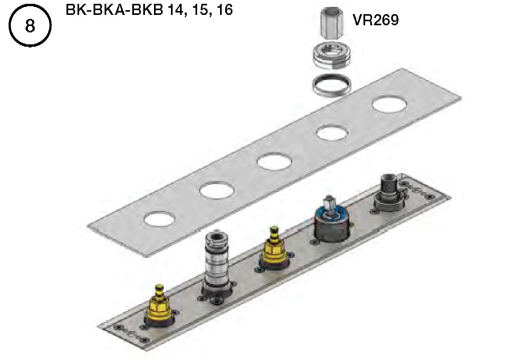
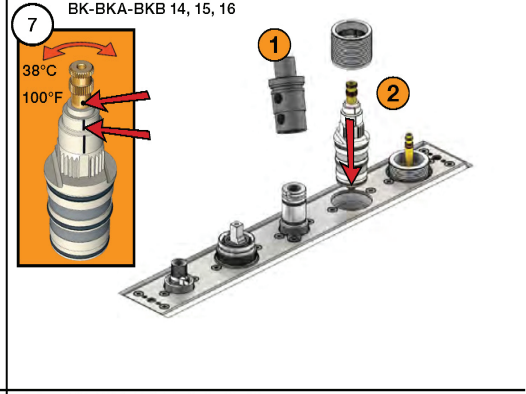
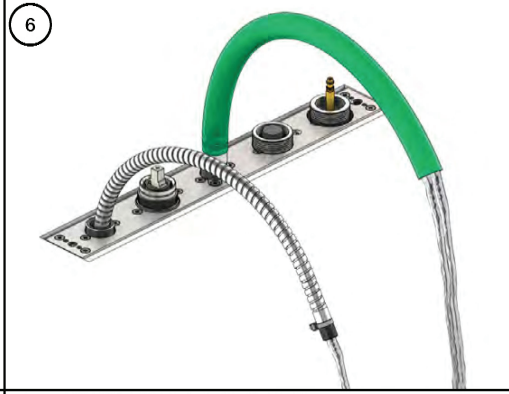
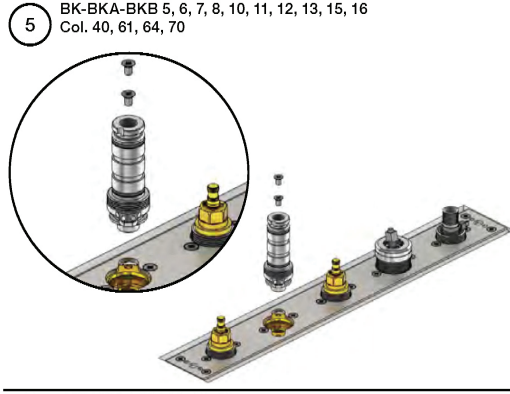
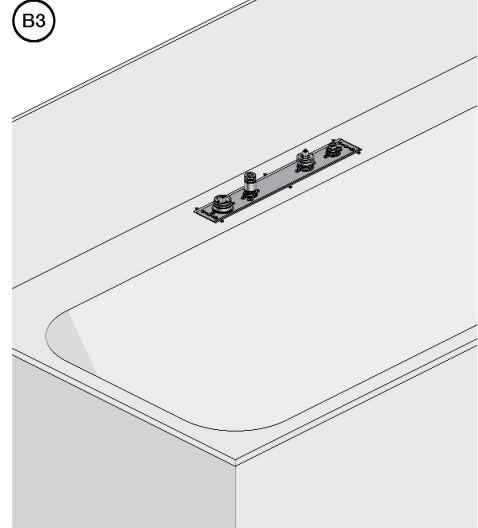
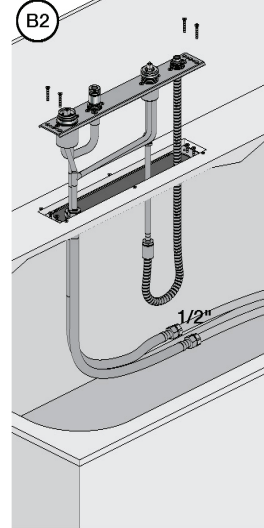
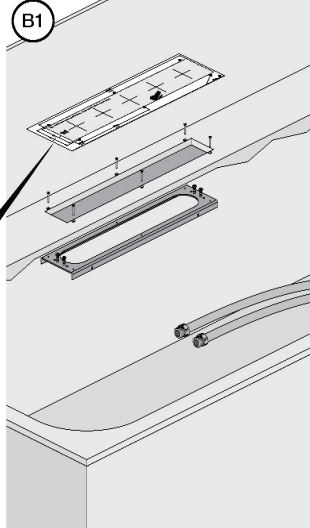
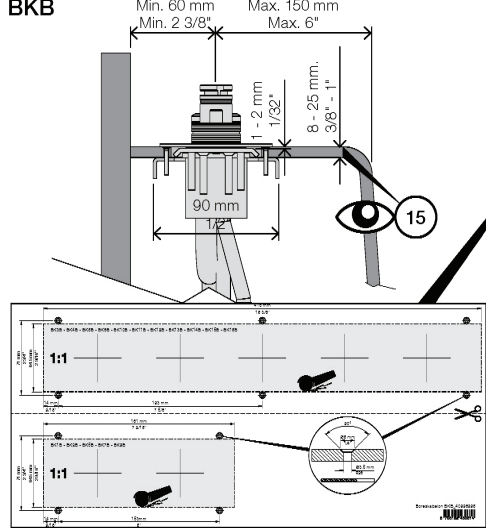


BKB

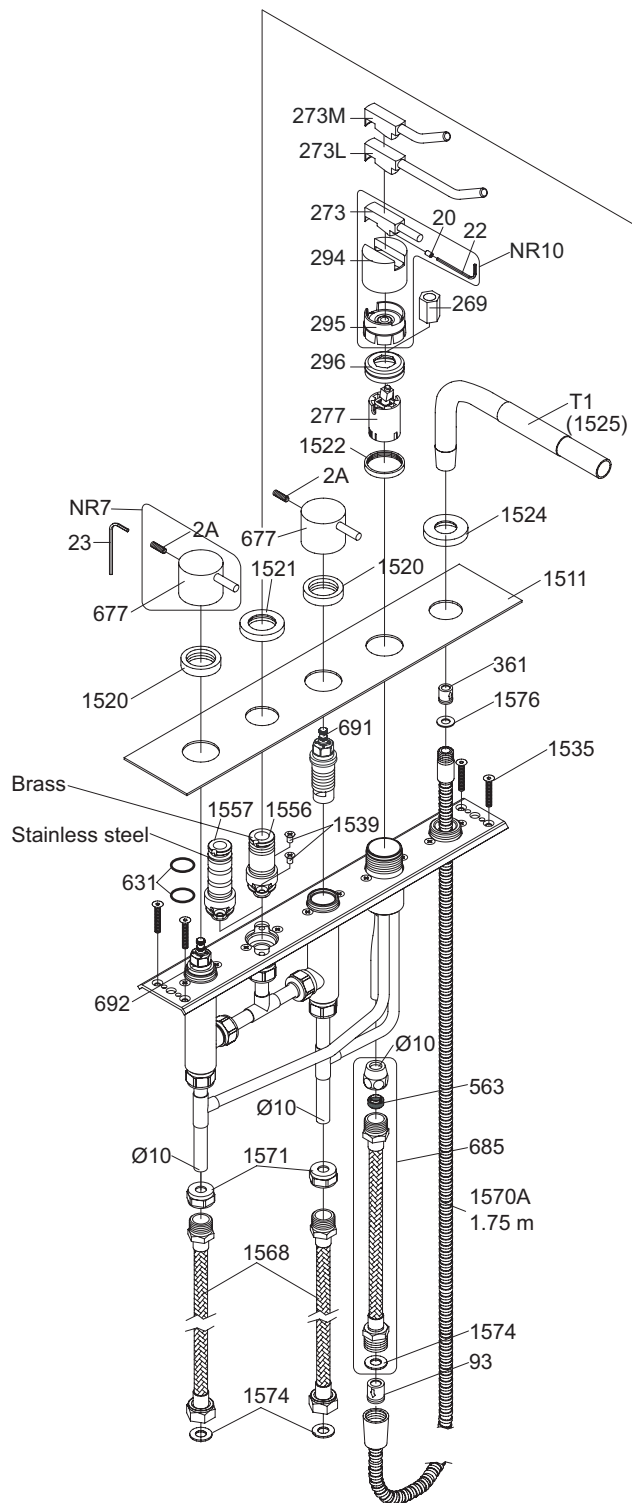


17

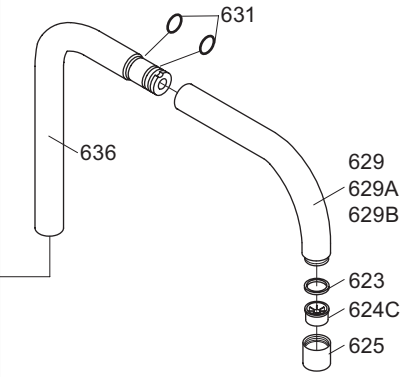
Data, 3 Bar (Max. 10 Bar):

	l/min.	Gal/min.
T1	10	2.6
090D/E	BK 5, 7, 10, 12:	20
	BK 8, 11, 13:	25
	BK 15, 16:	25
A24	BK 1, 3:	15
	BK 2, 4:	19
	BK 14:	22

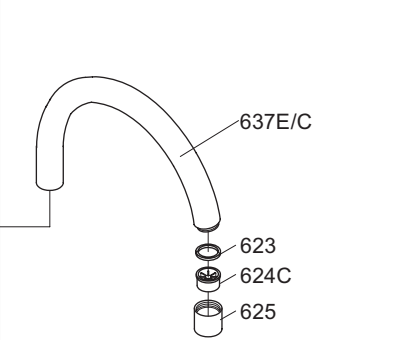
Max. 65°C, 150°F



BK11-090D



BK13-090E



- NR7: VR2A, VR23, VR677
- NR10: VR20, VR22, VR273, VR294, VR295
- VR090D/C: VR623, VR624C, 4xVR631, VR1902
- VR277K: VR22, VR269, VR277
- VR297: VR20, VR22, VR269, VR273, VR277, VR294, VR295, VR296
- VR691K: VR23, VR691
- VR692K: VR23, VR692



vola

Lunavej 2
DK-8700 Horsens
Tlf : + 45 7023 5500
sales@vola.com
www.vola.com

VOLA BK11/13

Date
Mar. 11

Rev.
1

Sheet
SB 75