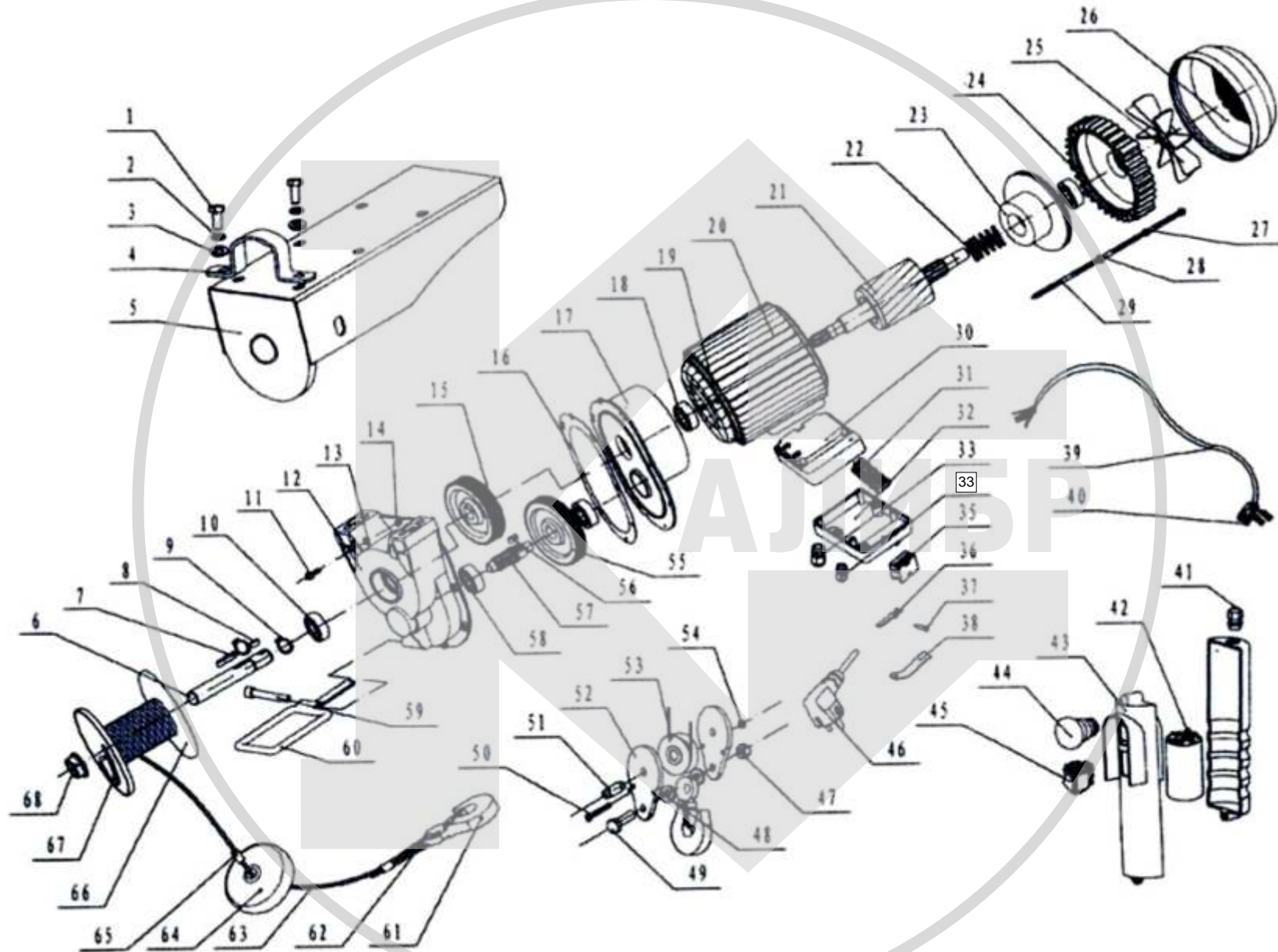
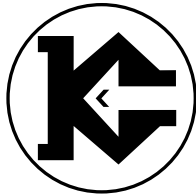


- 250





- 250

1	8×20	250.01	36		250.36
2	8	250.02	37		250.37
3	8	250.03	38		00666
4		250.04	39		250.39
5		250.05	40		250.40
6		250.06	41		00668
7	5×5×12	02744	42	CBB60 SH DB 20 ×450	00866
8			43		01329
9	15 (.)	00035	43.1		00665
10	6202 RS	00023	43.2		01328
11	5×16	250.11	44		250.44
12		250.12	45	" - "	00664
13	5	250.13	46	3G×0,75 ²	250.46
14	5	250.14	30-46		250.30-46
15	Z=44	250.15	47	10	250.47
16		250.16	48	10	250.48
17		250.17	49	10×35	250.49
18	6202 RS	00023	50	5×28	250.50
19		250.19	51		250.51
20		250.20	52		250.52
19+20		250.19+20	53		250.53
21		250.21	54	5	250.54
22		250.22	55	Z=45	250.55
23		250.23	56	5×5×10	03613
24		250.24	57	Z=9	250.57
25		250.25	58	6200 RS	00024
26		250.26	59	8×16	01384
27	5	250.27	60		250.60
28	5	250.28	61		250.61
29	5×140	250.29	62		250.62
30		00658	63		250.63
31		250.31	64		250.64
32		00662	65		250.65
33	16×1,5	250.33	66		250.66
34	16×1,5	250.34	67		250.67
35	IEC 947-5-1	00657	68		250.68