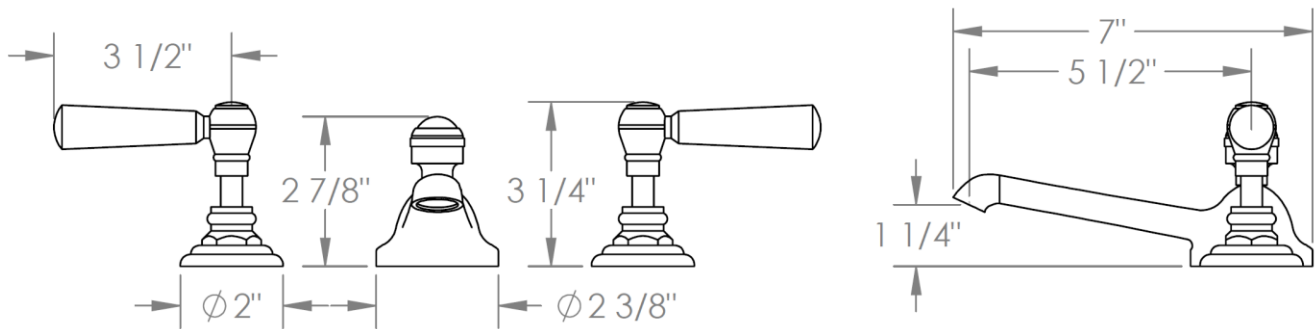
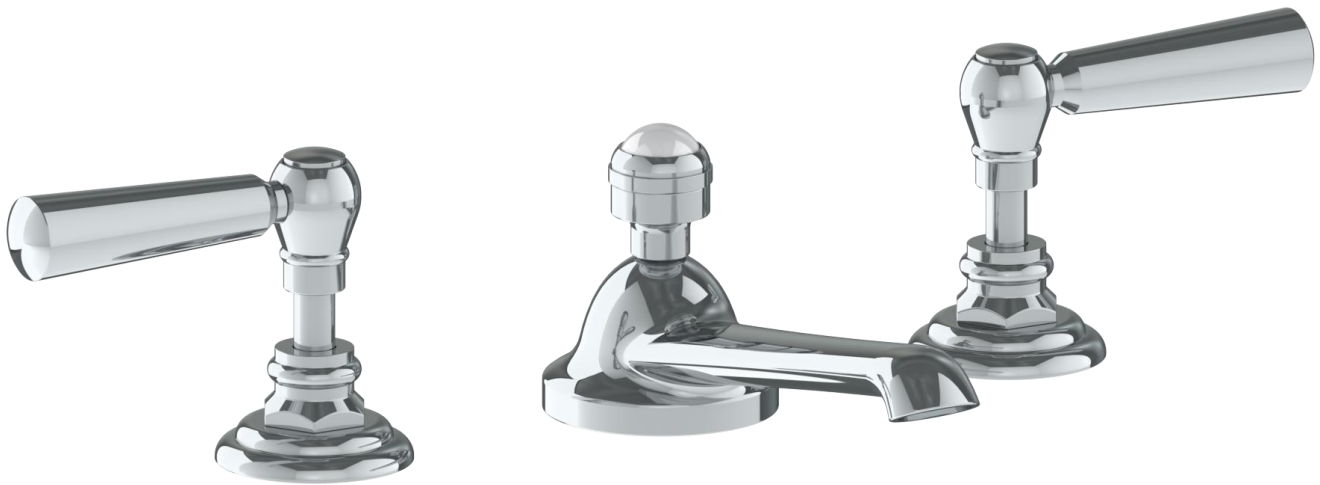


321-2-S1A

Deck Mounted 3 Hole Lavatory Set

Includes MPU7 pop-up drain

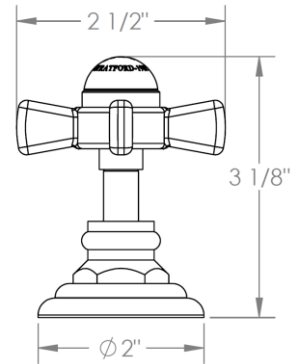
Flow Rate: 1.2 GPM



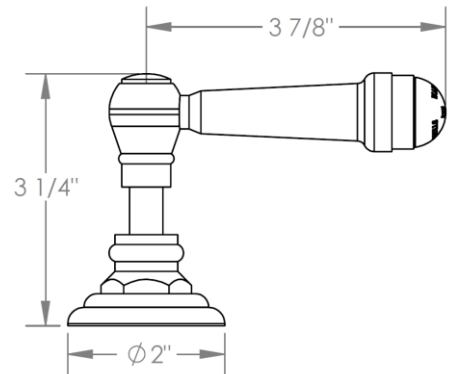
Meets the applicable requirements of ASME A112.18.1-2005/CSA B125.1-05, entitled "Plumbing Supply Fittings"

ADDITIONAL HANDLE OPTIONS

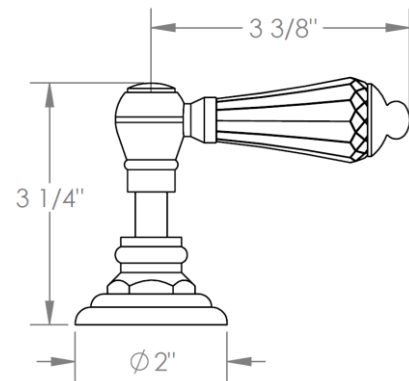
S1 - PRESTON



S2 - WALTHAM



SWA - DARIEN



V - WALES

