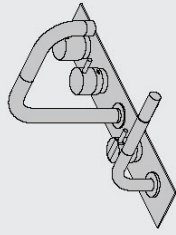


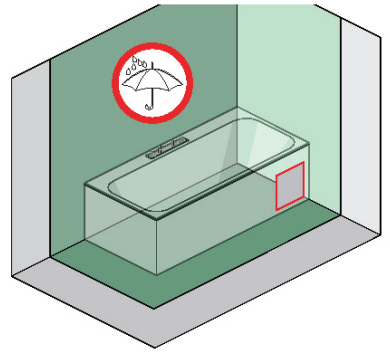
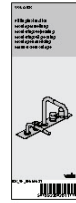
VOLA BK, BKA, BKB

Fitting instruction
 Montageanleitung
 Monteringsvejledning
 Monteringsvejledning
 Montage handleiding
 Manuel de montage

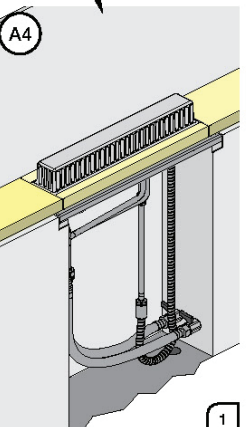
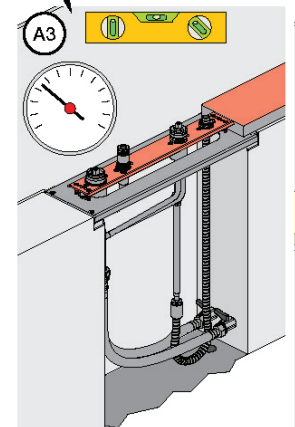
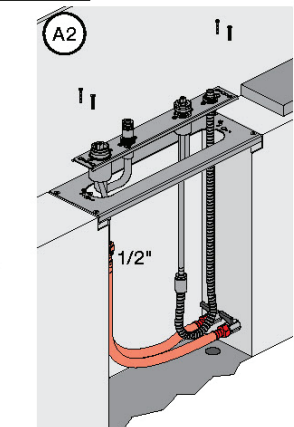
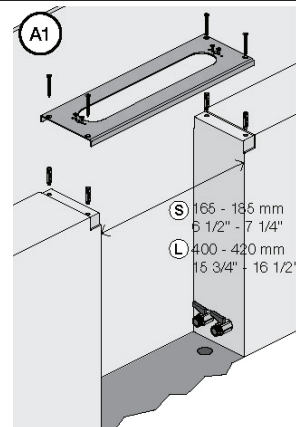
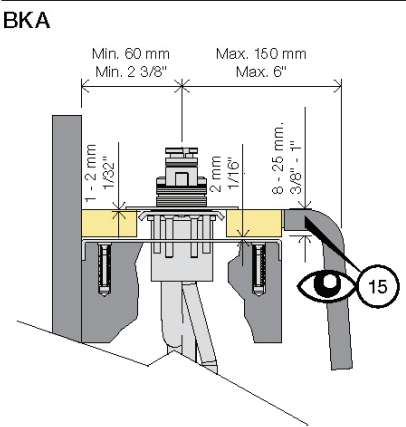
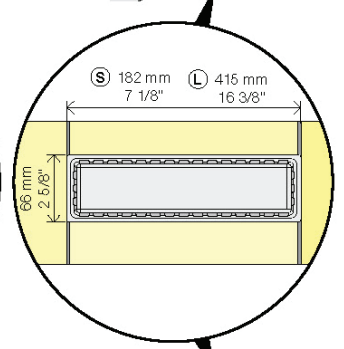
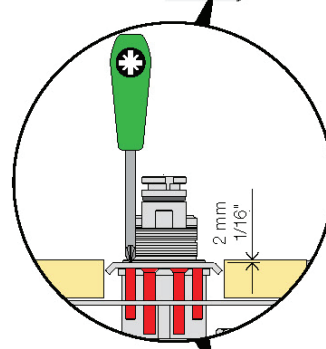
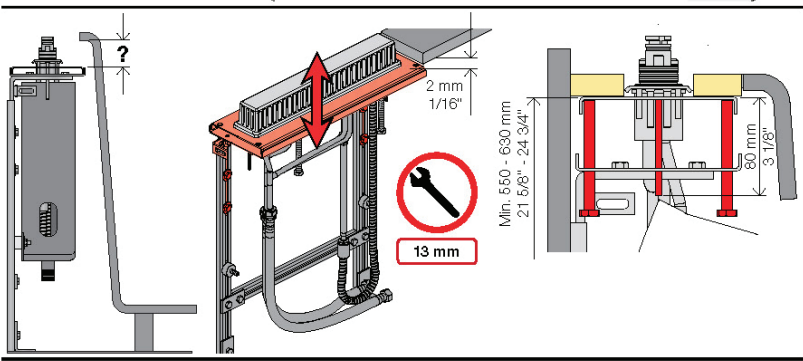
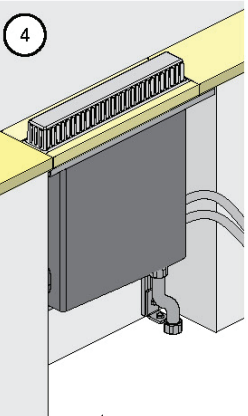
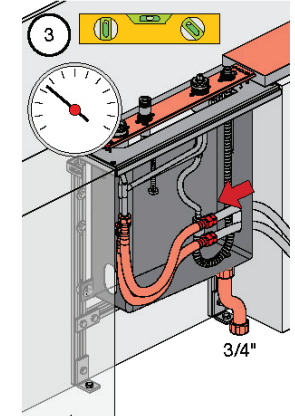
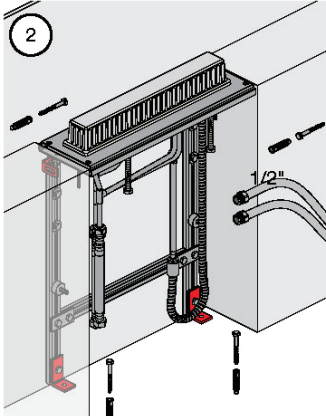
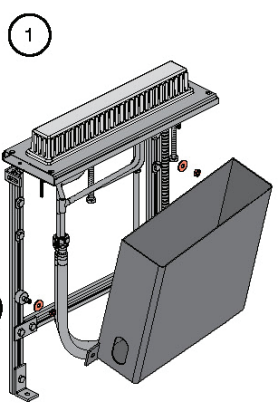
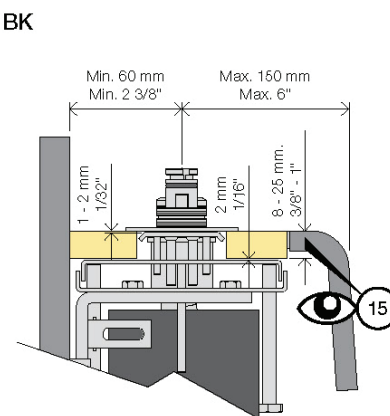
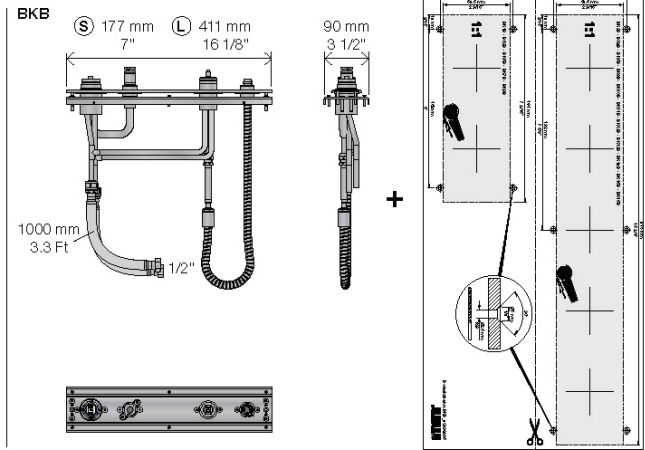
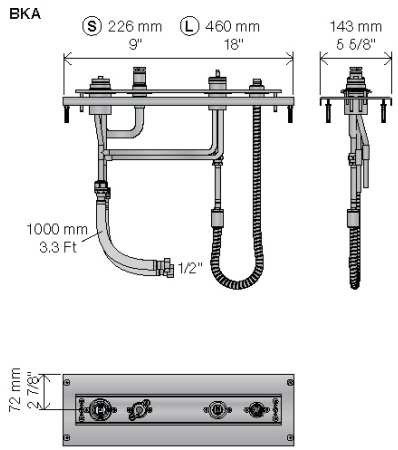
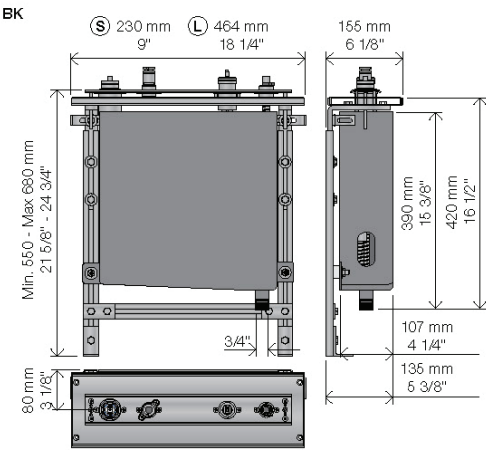
- BK
- BKA
- BKB
- 1
- 4
- 5
- A1
- A4
- B1
- E3
- E5
- E6
- E9
- E10
- E11
- E12
- E13
- E14
- E15
- E16



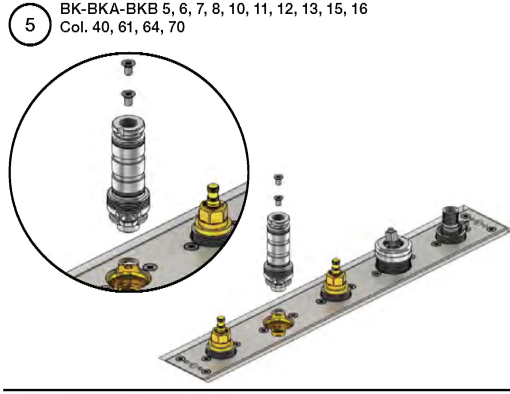
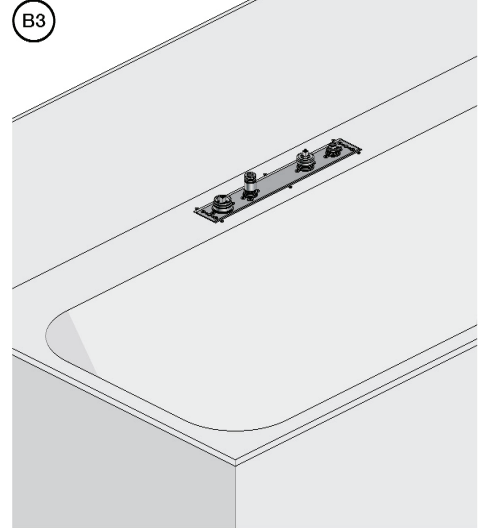
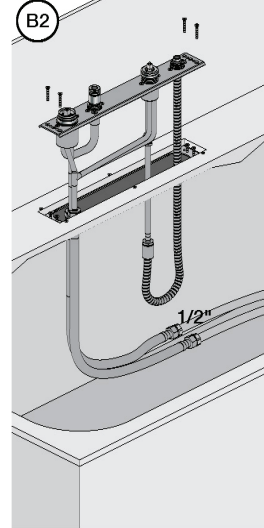
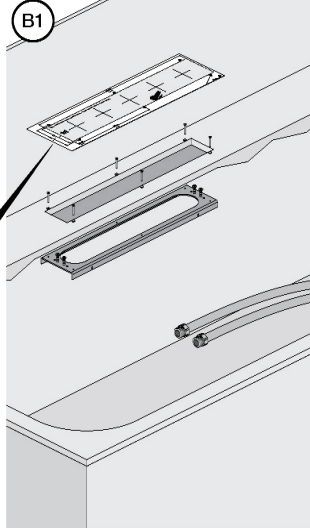
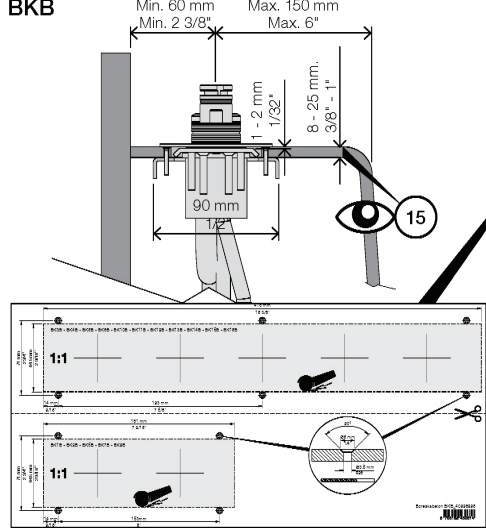
vola
 www.vola.com
 51705230201177
 BK_V0_4099826



- S BK: 1, 2, 6, 7, 9
- L BK: 3, 4, 6, 8, 10, 11, 12, 13, 14, 15, 16



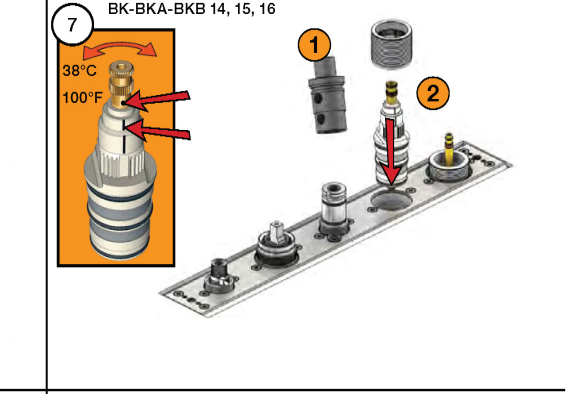
BKB



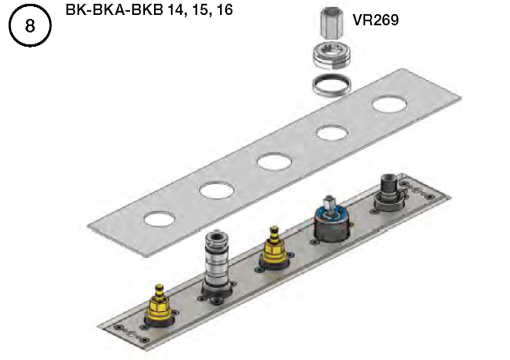
5 BK-BKA-BKB 5, 6, 7, 8, 10, 11, 12, 13, 15, 16
Col. 40, 61, 64, 70



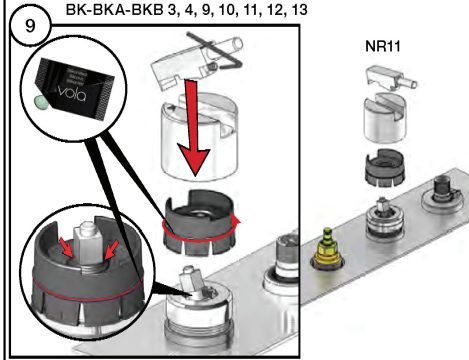
6



7 BK-BKA-BKB 14, 15, 16



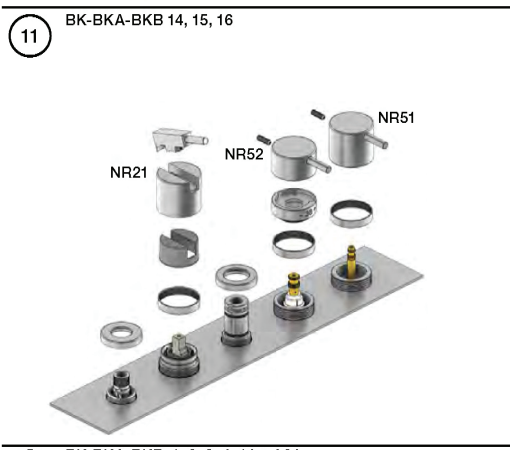
8 BK-BKA-BKB 14, 15, 16



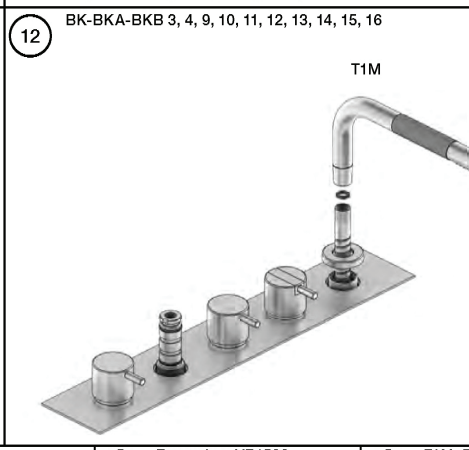
9 BK-BKA-BKB 3, 4, 9, 10, 11, 12, 13



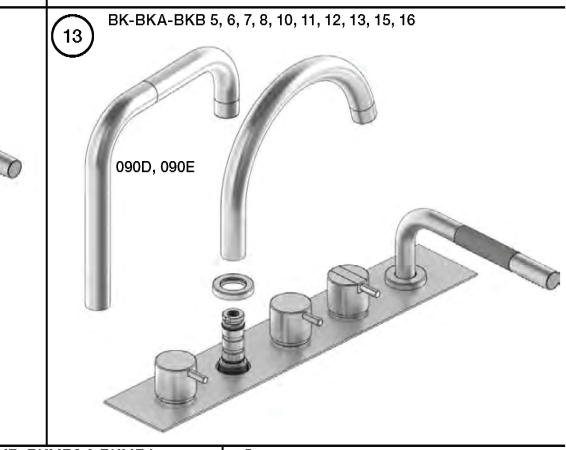
10 BK-BKA-BKB 4, 6, 8, 10, 12



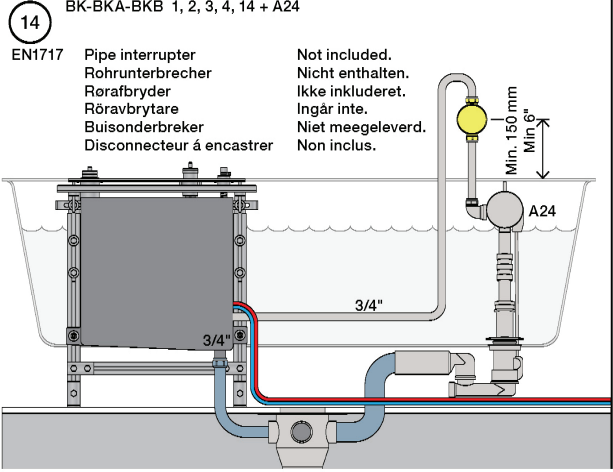
11 BK-BKA-BKB 14, 15, 16



12 BK-BKA-BKB 3, 4, 9, 10, 11, 12, 13, 14, 15, 16



13 BK-BKA-BKB 5, 6, 7, 8, 10, 11, 12, 13, 15, 16



14 BK-BKA-BKB 1, 2, 3, 4, 14 + A24

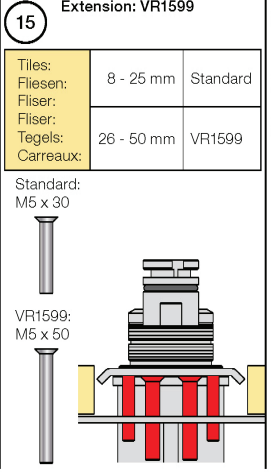
EN1717 Pipe interrupter
Rohrunterbrecher
Rørafbryder
Röravbrytare
Buissonderbreker
Disconnecteur à encastrer

Not included.
Nicht enthalten.
Ikke inkludert.
Ingår inte.
Niet meegeleverd.
Non inclus.

Min. 150 mm
Min. 6"

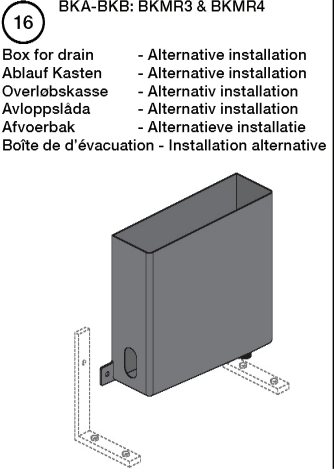
3/4"

A24



15 Extension: VR1599

Tiles: Fliesen: Fliser: Fliser: Tegels: Carreaux:	8 - 25 mm	Standard
Standard: M5 x 30		
VR1599: M5 x 50		



16 BKA-BKB: BKMR3 & BKMR4

Box for drain
Ablauf Kasten
Overlobskasse
Avloppslåda
Afvoerbak
Boîte de d'évacuation - Installation alternative

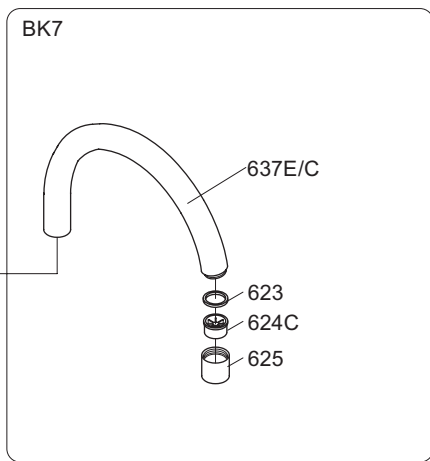
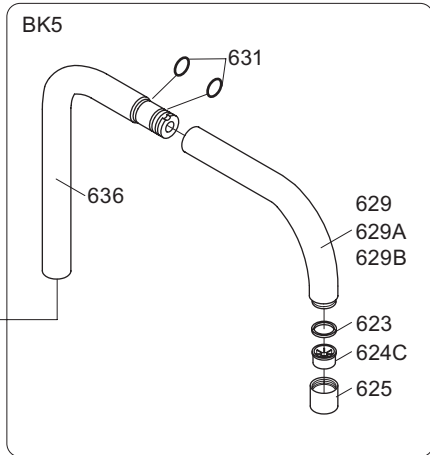
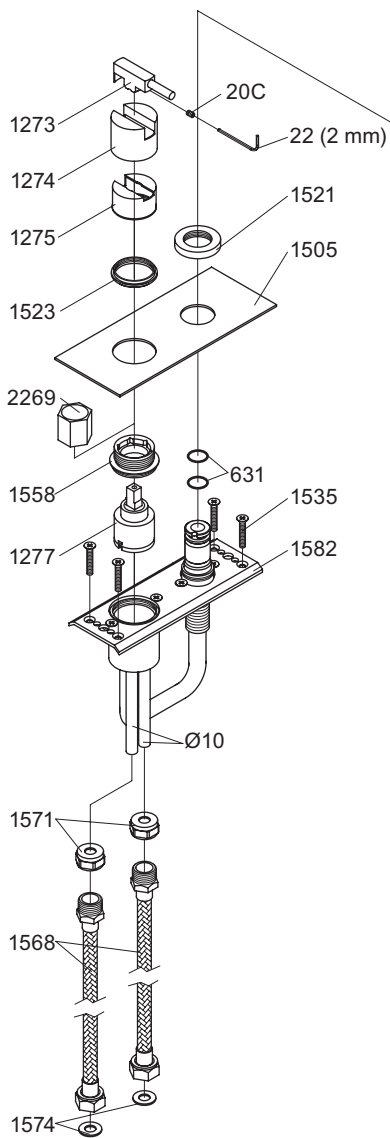
- Alternative installation
- Alternative installation
- Alternativ installation
- Alternativ installation
- Alternativ installatie

17

Data, 3 Bar (Max. 10 Bar):

	l/min.	Gal/min.
T1	10	2.6
090D/E	BK 5, 7, 10, 12:	20 5.3
	BK 8, 11, 13:	25 6.6
	BK 15, 16:	25 6.6
A24	BK 1, 3:	15 3.9
	BK 2, 4:	19 5.0
	BK 14:	22 5.8

Max. 65°C, 150°F



NR11: VR20, VR22, VR1273, VR1274, VR1275
 VR090D/C: VR623, VR624C, 4xVR631, VR1902



vola
 Lunavej 2
 DK-8700 Horsens
 Tlf : + 45 7023 5500
 sales@vola.com
 www.vola.com

VOLA BK5/7

Date
 Oct. 96

Rev.
 0

Sheet
 SB 69