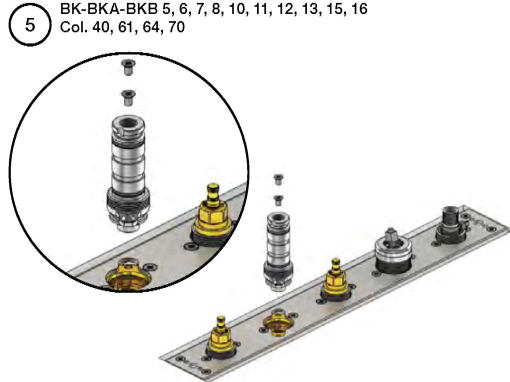
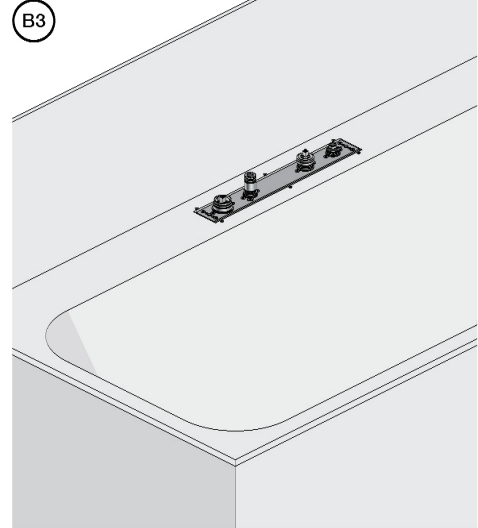
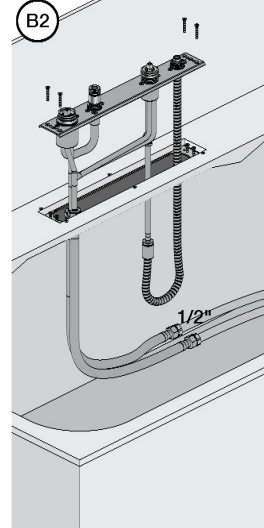
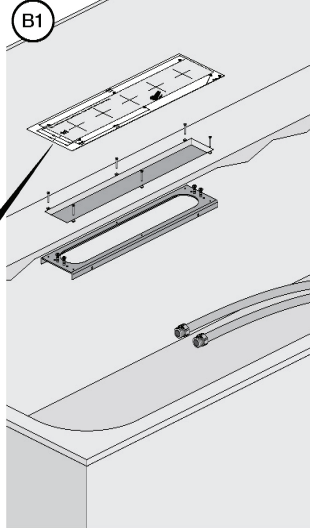
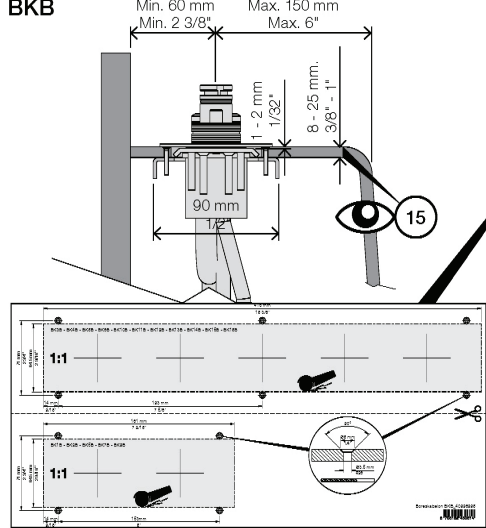


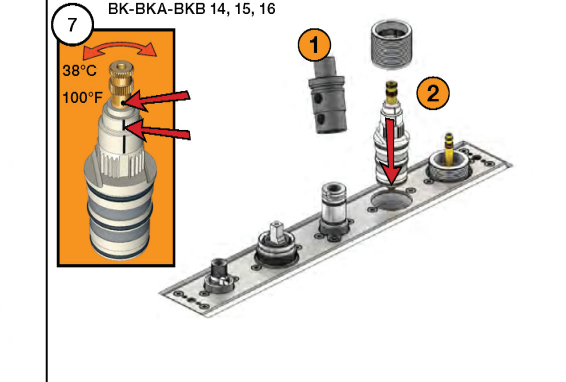
BKB



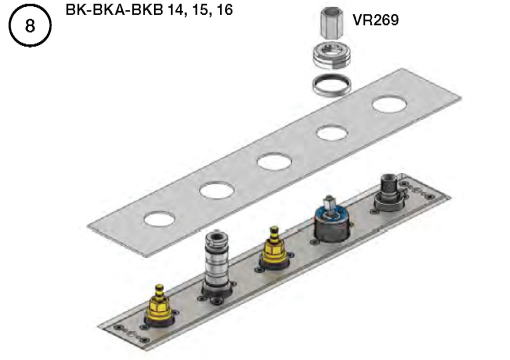
5 BK-BKA-BKB 5, 6, 7, 8, 10, 11, 12, 13, 15, 16
Col. 40, 61, 64, 70



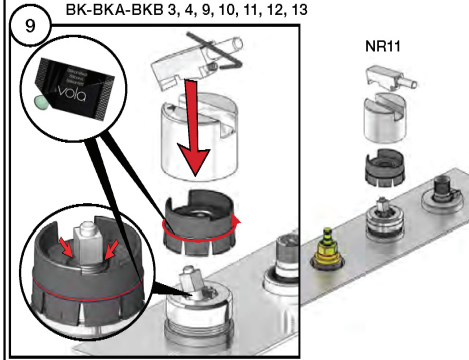
6



7 BK-BKA-BKB 14, 15, 16



8 BK-BKA-BKB 14, 15, 16



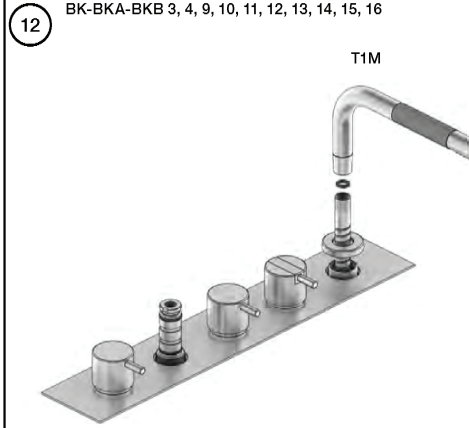
9 BK-BKA-BKB 3, 4, 9, 10, 11, 12, 13



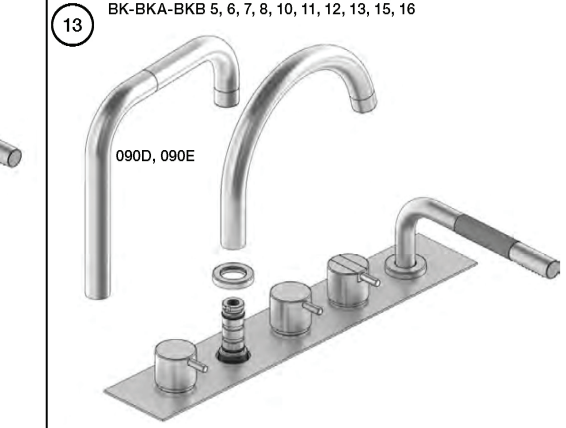
10 BK-BKA-BKB 4, 6, 8, 10, 12



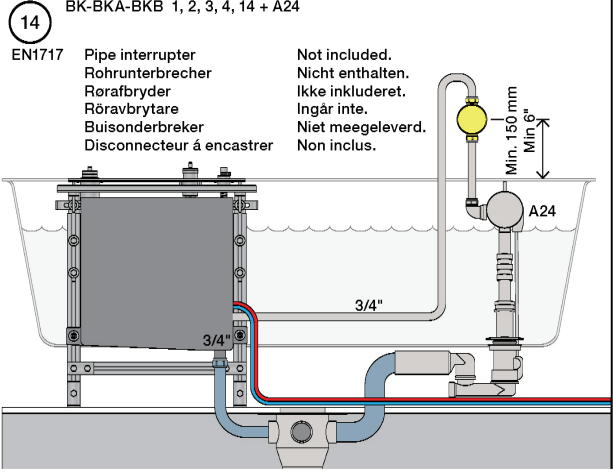
11 BK-BKA-BKB 14, 15, 16



12 BK-BKA-BKB 3, 4, 9, 10, 11, 12, 13, 14, 15, 16



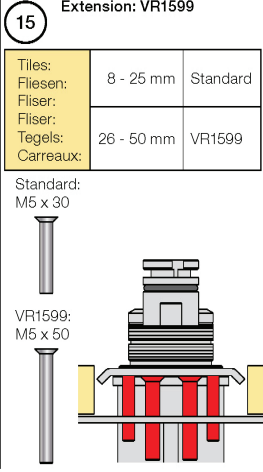
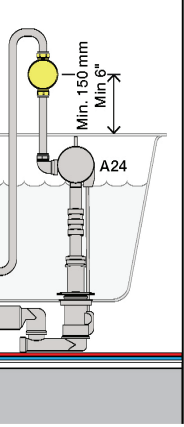
13 BK-BKA-BKB 5, 6, 7, 8, 10, 11, 12, 13, 15, 16



14 BK-BKA-BKB 1, 2, 3, 4, 14 + A24

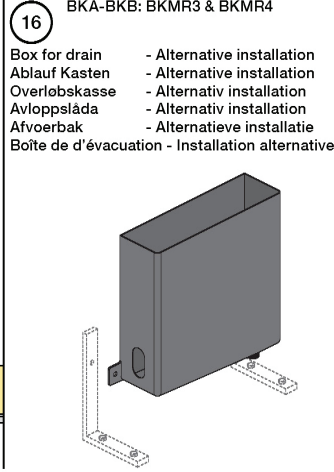
EN1717 Pipe interrupter
Rohrunterbrecher
Rørafbryder
Röravbrytare
Buisonderbreker
Disconnecteur à encastrer

Not included.
Nicht enthalten.
Ikke inkludert.
Ingår inte.
Niet meegeleverd.
Non inclus.



15 Extension: VR1599

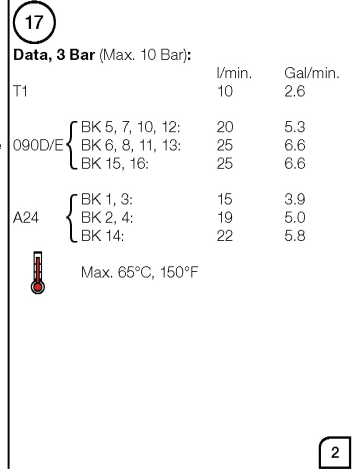
Tiles: Fliesen: Fliser: Fliser: Tegels: Carreaux:	8 - 25 mm	Standard
Standard: M5 x 30		
VR1599: M5 x 50		



16 BKA-BKB: BKMR3 & BKMR4

Box for drain
Ablauf Kasten
Overlobskasse
Avloppslåda
Afvoerbak
Boîte d'évacuation - Installation alternative

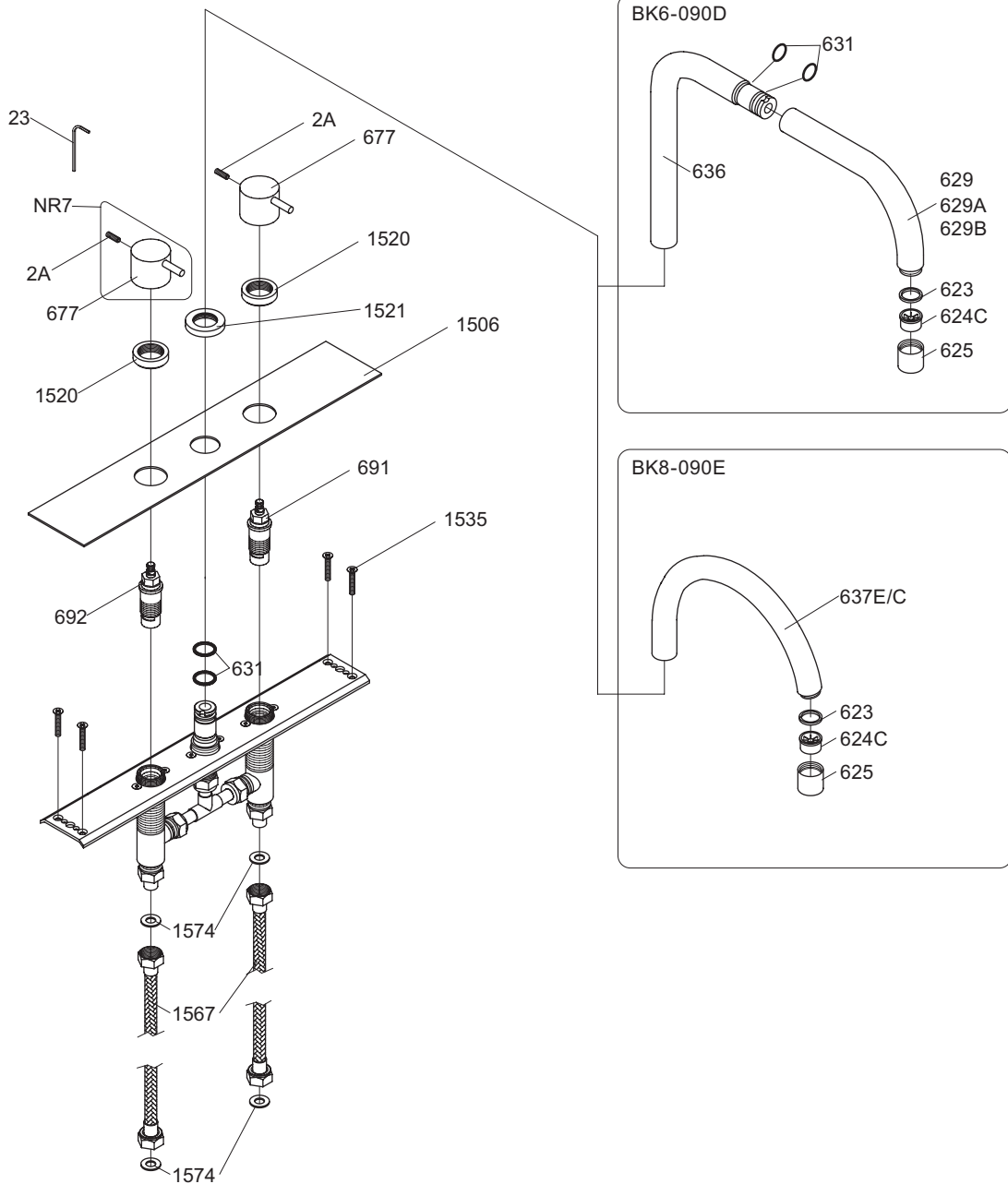
- Alternative installation
- Alternative installation
- Alternativ installation
- Alternativ installation
- Alternativ installation
- Alternativ installation



17 Data, 3 Bar (Max. 10 Bar):

	l/min.	Gal/min.
T1	10	2.6
090D/E	BK 5, 7, 10, 12:	20
	BK 8, 11, 13:	25
	BK 15, 16:	25
A24	BK 1, 3:	15
	BK 2, 4:	19
	BK 14:	22

Max. 65°C, 150°F



NR7: VR2A, VR23, VR677
 VR090D/C: VR623, VR624C, 4xVR631, VR1902



vola
 Lunavej 2
 DK-8700 Horsens
 Tlf : + 45 7023 5500
 sales@vola.com
 www.vola.com

VOLA BK6/8

Date
 Oct. 96

Rev.
 0

Sheet
 SB 70