

33 600 660

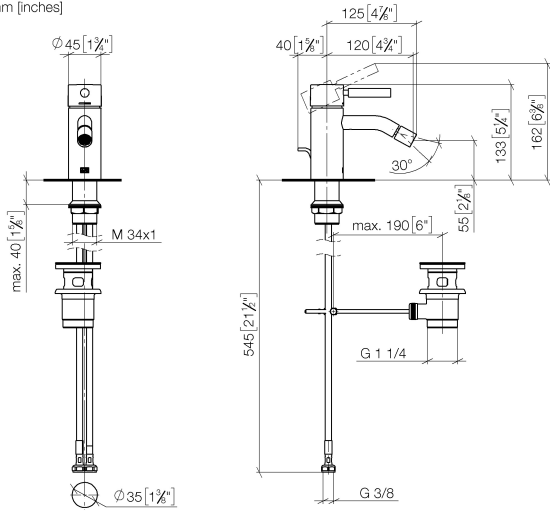


- 125mm projection
- ball-joint pivotable through 15° (in any direction)
- circular, air-enriched flow
- height of mixer 133 mm
- height up to aerator 55 mm
- hole diameter 35 mm
- 2x screw-in M 8 x 1 pressure hose, leak-tested
- max. flow 5.7 l/min
- WRAS 2003056

	Light Gold	33 600 660-26
	Chrome	33 600 660-00
	Brushed Platinum	33 600 660-06
	Dark Chrome	33 600 660-19
	Brushed Light Gold	33 600 660-27
	Matte Black	33 600 660-33
	Brushed Bronze	33 600 660-42
	Brushed Champagne (22kt Gold)	33 600 660-46
	Champagne (22kt Gold)	33 600 660-47
	Brushed Chrome	33 600 660-93
	Brushed Dark Platinum	33 600 660-99

33 600 660

mm [inches]



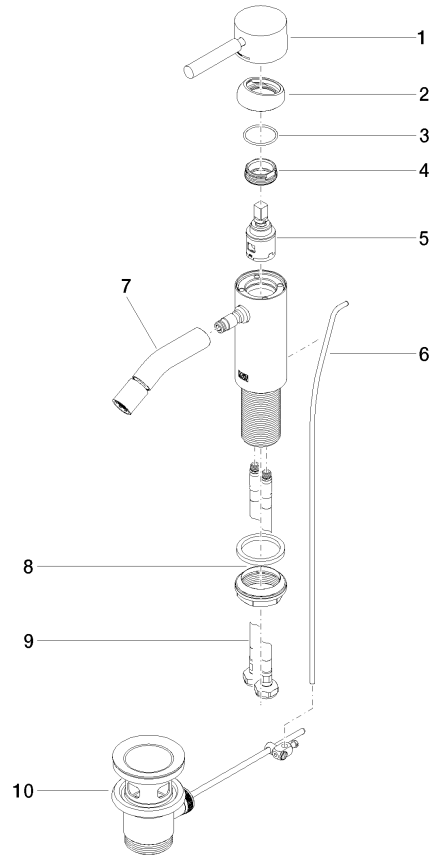
Flow rate chart



33 600 660

Product version from 1/23/2020

Parts for other finishes can be found here: [Chrome](#)





33 600 660

Spare parts list

Product version from 1/23/2020