

VOLA 5100, 5100X, 5200V, 5300  
 VOLA 5400DV, 5400V, 5400NV & A3/A4  
 VOLA 5400TV, 5400FV, 5400RV & A3/A4  
 VOLA 5600V & A3/A4



Fitting instruction  
 Montageanleitung  
 Monteringsvejledning

Monteringsvågledning  
 Montage hanleiding  
 Manuel de montage



www.vola.com  
 5000\_V2\_40998504



VR968: To be ordered separately.  
 Werden separat bestellt.  
 Bestilles separat.  
 Beställs separat.  
 Apart te bestellen.  
 À commander séparément.

**A** Max.: 10 Bar/145 psi  
 Max. 65°C, 150°F

USA: Minimum flow rate: 1.8 gpm.  
 AUS - Hot water inlet: Max. 50°C, 122°F. (AS 4032)

Data, l/min. / (Gpm) 3 Bar/43.5 Psi:

5100/5200V/5300: **A** 5400/5600A3: **A** - **C**  
 5400/5600: **A** - **B** 5400/5600A4: **A** - **D**

| 5400<br>5600 | 5400A3<br>5600A3 | 5400A4<br>5600A4 |          |          |          |          |          |          |          |   |
|--------------|------------------|------------------|----------|----------|----------|----------|----------|----------|----------|---|
|              |                  |                  | <b>A</b> | <b>M</b> | <b>B</b> | <b>M</b> | <b>C</b> | <b>M</b> | <b>D</b> |   |
| Out 2        | Out 1            | Out 1            | 32/(8.5) | 16/(4.2) | -        | -        | -        | -        | -        | - |
| Out 3        | Out 2            | Out 2            | -        | -        | 32/(8.5) | 16/(4.2) | -        | -        | -        | - |
| -            | Out 3            | Out 3            | -        | -        | -        | -        | 32/(8.5) | 16/(4.2) | -        | - |
| -            | -                | Out 4            | -        | -        | -        | -        | -        | 16/(4.2) | 32/(8.5) | - |

**B** Check the local legislation.  
 Bitte die örtlichen Vorschriften überprüfen.  
 Tjek de lokale regler.  
 Kontrollera lokala föreskrifter  
 Nazitten lokale regelgeving.  
 Vérifiez la législation locale.

**!DO NOT!  
 !REMOVE!**

**C**

Box till inbyggnadsblandare.  
 Boks til indbygningsblander.  
 Laatikko seinäasenteiselle sekoittajalle.

Ingår inte i leveransen, köps separat.  
 Ikke inkludert, kjøpes separat.  
 Eivät sisälly tilaukseen, ostettava erikseen.

200M  
 PEX1

Extension  
 Verlängerung  
 Forlængerdele  
 Förlängning  
 Aanpassing  
 Modification

**T** Min. 3 mm  
 Max 65 mm

**Y** Min. 48 mm  
 Max. 110 mm

| T          | Y           | VR5250/VR5410/VR2019 |
|------------|-------------|----------------------|
| 3 - 15 mm  | 110 - 98 mm | Std.                 |
| 15 - 25 mm | 98 - 88 mm  | +10                  |
| 25 - 35 mm | 88 - 78 mm  | +20                  |
| 35 - 45 mm | 78 - 68 mm  | +30                  |
| 45 - 55 mm | 68 - 58 mm  | +40                  |
| 55 - 65 mm | 58 - 48 mm  | +50                  |

Extension, retrofit  
 Verlängerung, nachträglicher Einbau  
 Forlængerdele, eftermontering  
 Förlängning, eftermontering  
 Aanpassing na montage  
 Modification après installation

**X** 52 - 0 mm

**X** -15 - 0 mm

| X           | VR5250/VR5410/VR2019 |
|-------------|----------------------|
| 37 - 49 mm  | Std.                 |
| 27 - 37 mm  | +10                  |
| 17 - 27 mm  | +20                  |
| 7 - 17 mm   | +30                  |
| -3 - 7 mm   | +40                  |
| -13 - -3 mm | +50                  |

Fitting of extension  
 Montage von verlängerung  
 Montering af forlængerdele  
 Montering av förlängning  
 Montage van de verlengstukken  
 Montage des rallonges

VR5250

VR2019+, VR2119+

VR5410

5400:  
 5600:

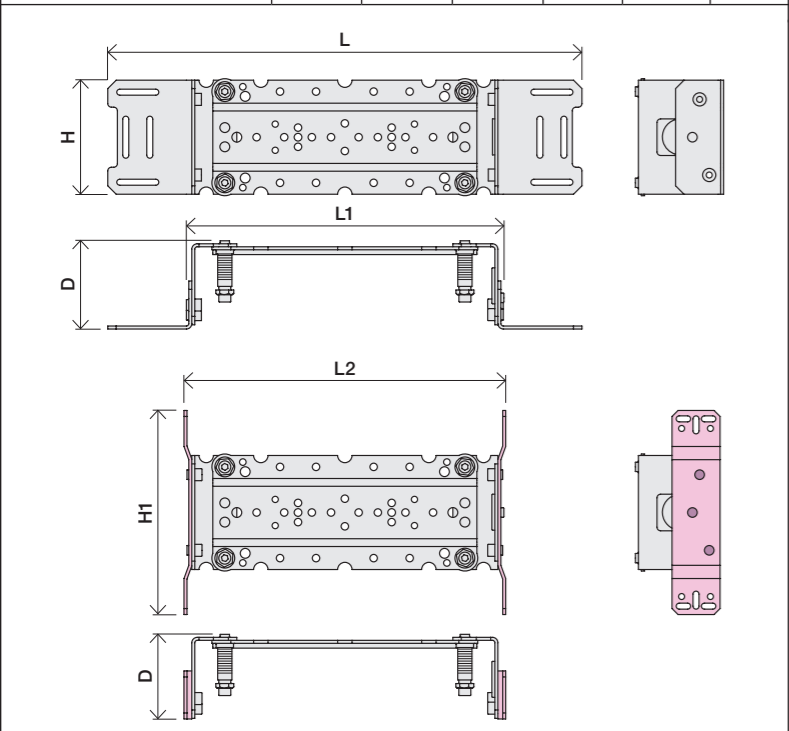
5400A3/A4:  
 5600A3/A4:

5400A4:  
 5600A4:

32 mm

14 mm

|                                    | L                 | L1                | L2                | H               | H1               | D               |
|------------------------------------|-------------------|-------------------|-------------------|-----------------|------------------|-----------------|
| 5400DV                             | 395 mm<br>15 1/2" | 264 mm<br>10"     | 268 mm<br>10"     | 95 mm<br>3 3/4" | 170 mm<br>6 3/4" | 70 mm<br>2 3/4" |
| 5100, 5200V, 5300,<br>5400V, 5600V | 490 mm<br>19 1/2" | 359 mm<br>14"     | 367 mm<br>14 1/2" |                 |                  |                 |
| 5100X, 5400NV, 5400TV              | 570 mm<br>19 1/2" | 439 mm<br>17"     | 447 mm<br>17 5/8" |                 |                  |                 |
| 5400FV, 5400RV                     | 649 mm<br>25 1/2" | 519 mm<br>20 3/8" | 522 mm<br>20 1/2" |                 |                  |                 |





**2x13 mm** Lightweight wall  
 Leichtwand  
 Let væg

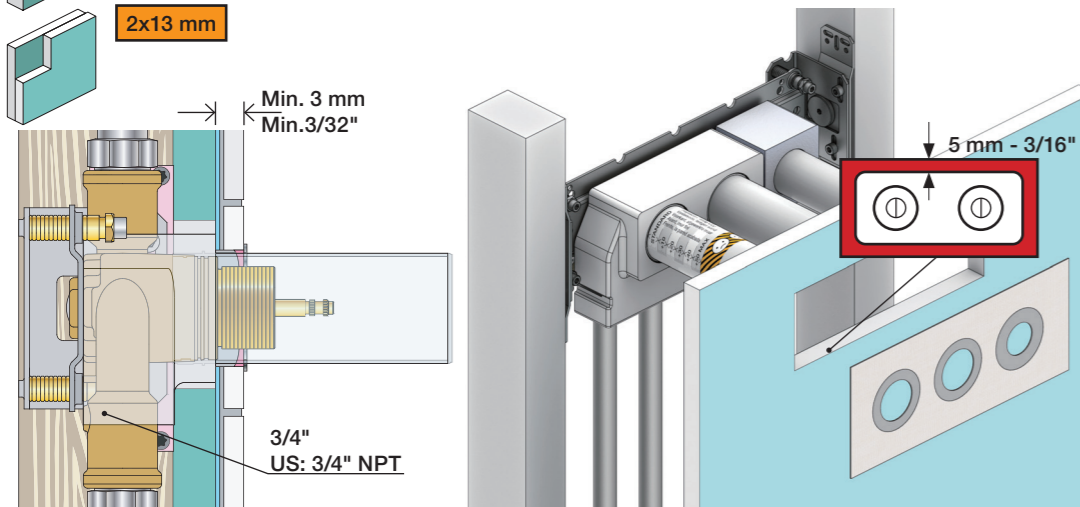
Lätta konstruktion  
 Holle wandconstructie  
 Construction légère



**1x15 mm**  
**1x18 mm**  
**1x20 mm**

Lightweight wall  
 Leichtwand  
 Let væg

Lätta konstruktion  
 Holle wandconstructie  
 Construction légère



Masonry  
 Mauerwerk  
 Murværk

Murverk  
 Massieve wand  
 Mur Plein



**2** Test Pressure  
 Prüfdruck  
 testtryk  
 Test tryck  
 Test druk  
 test de pression

Check the local legislation.  
 Bitte die örtlichen Vorschriften überprüfen.  
 Tjek de lokale regler.  
 Kontrollera lokala föreskrifter.  
 Nazitten lokale regelgeving.  
 Vérifiez la législation locale.

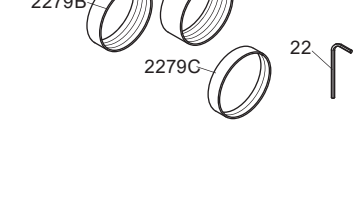
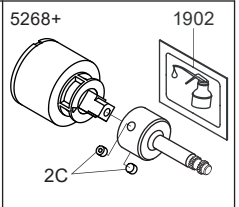
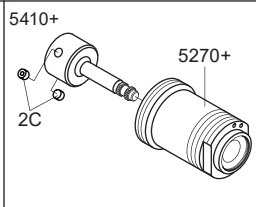
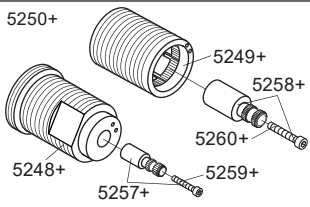
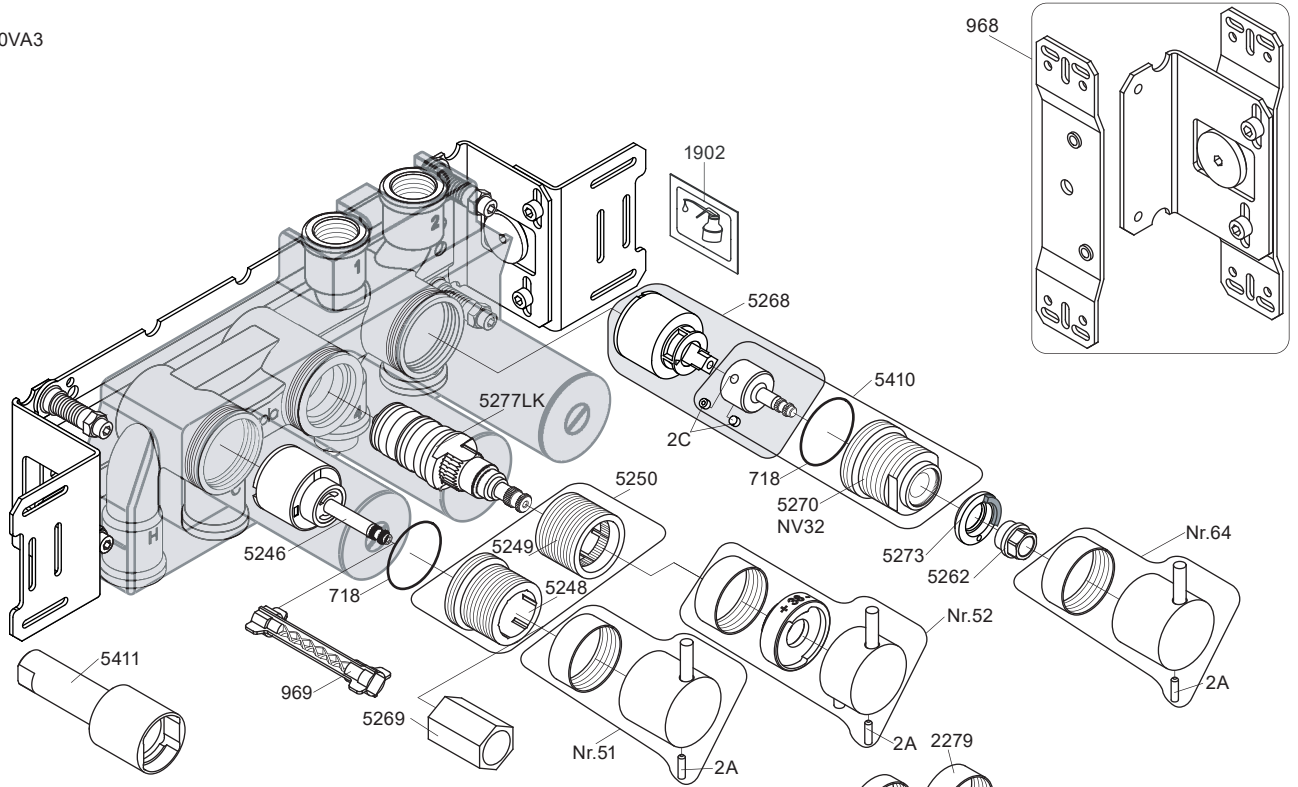
**1.** MAX. 16 Bar  
 232 Psi

**2.** MAX. 4 Bar  
 58 Psi

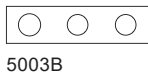
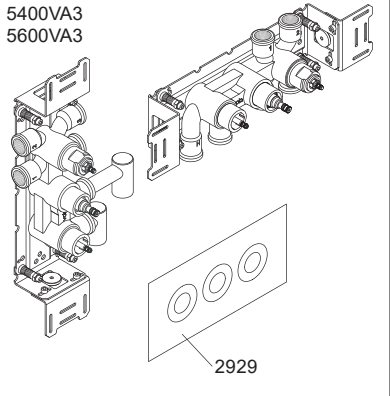
**! Water - Wasser - Vand - Vatten - Water - Leau !**  
**! MAX 1 Minute - Minut - Minuut !**



5400VA3



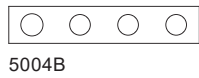
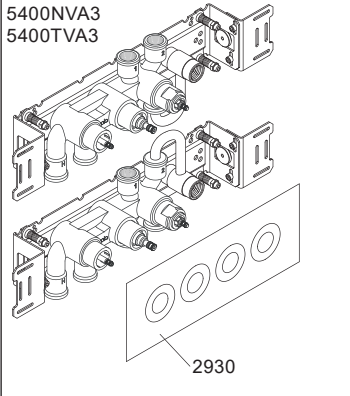
- NR51: VR5251, VR2279+B+C, VR2A
- NR52: VR5252, VR5253, VR5255, VR5256, VR2279+B+C, VR3113, VR2A
- NR64: VR5251, VR2279+B+C, VR2A
- VR5250+: VR5248+, VR5249+, VR5257, VR5258, VR5259, VR5260
- VR5257+: VR5257+, VR5259+
- VR5258+: VR5258+, VR5260+
- VR5268+: 2xVR2C, VR1902, VR5268
- VR5410+: 2xVR2C, VR718, VR5270+



5003B



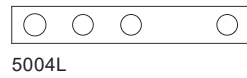
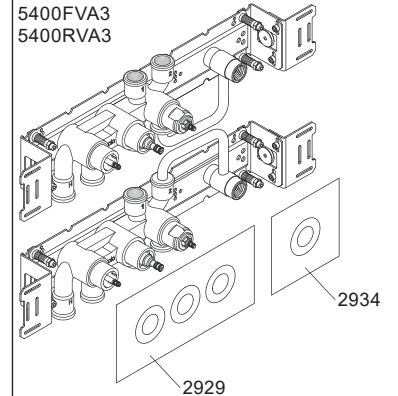
3x2001



5004B



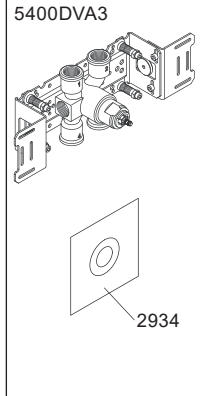
3x2001, 001



5004L



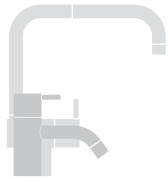
3x2001, 001



2934



2001



**vola**  
Lunavej 2  
DK-8700 Horsens  
Tlf : + 45 7023 5500  
sales@vola.com  
www.vola.com

**VOLA 5400VA3**  
**5400FVA3, 5400NVA3**  
**5400RVA3, 5400TVA3**  
**5600VA3**

Date  
Apr. 21

Rev.  
**6**

Sheet  
**SB 10.54**