

Collection

ONLY ONE

Article

E00300

Description

Exposed parts for manual wall mixer.

Built-in body purchased separately INC300.

Box Dimensions

150x190x98 mm

Weight

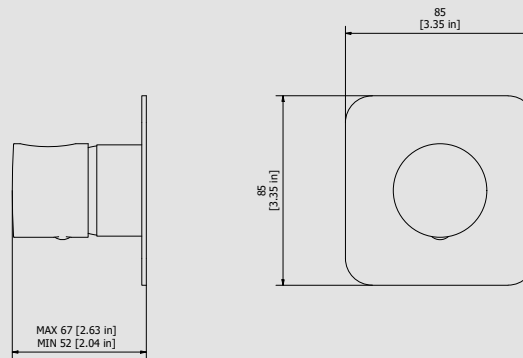
1.4 kg

Finishes

- CC**
CHROME
- PL**
PLATINUM
- SS**
BRUSHED
NICKEL
- ON**
NATURAL
BRASS
- BO**
MATT
WHITE
- NP**
MATT
BLACK
- CF**
BLACK
CHROME
- CS**
BRUSHED
BLACK
CHROME
- II**
PALE
GOLD
- IS**
BRUSHED
PALE GOLD
- RS**
ROSE
GOLD
- SR**
BRUSHED
ROSE GOLD
- OO**
GOLD
- OS**
BRUSHED
GOLD
- RR**
ANTIQUÉ
COPPER
- BB**
ANTIQUÉ
BRONZE



Dimensions



Cartridge

Ø35 Ceramic cartridge

Threaded fitting

-

Aerator

-

Flow Rate (+/-10%)

1 BAR	2 BAR	3 BAR
11.5 l/m	16.3 l/m	20 l/m

Production

Main body is a single casted pieces.

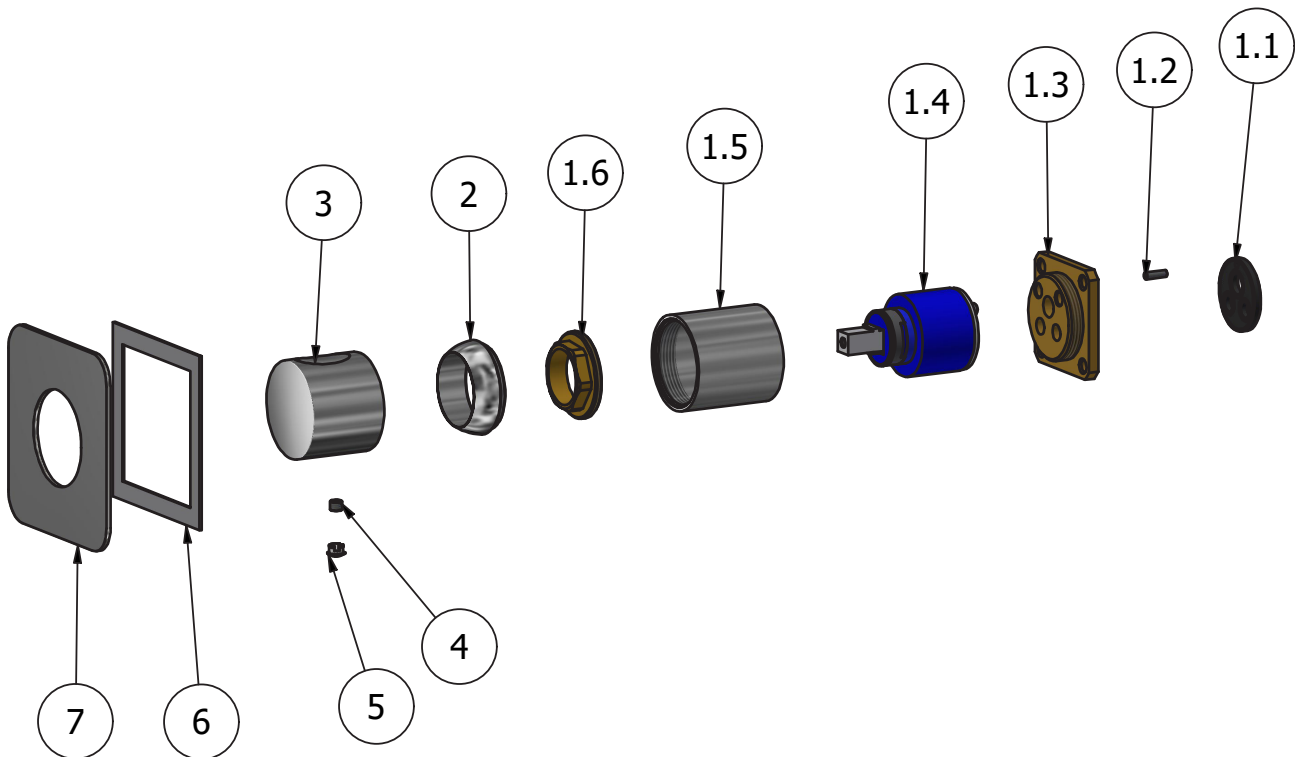
Material

BRASS
According to CuZn35Pb2Al-B (CB752S)
Max Lead content: 1.36%



WE ARE IB

Parts list			
ELEM	CODE	DESCRIPTION	QT
1	CPIN206CC-19	Mixer 47x47 x recessed	1
1.1	AQ0015684	Gasket Ø31 H3.5 Ø7 Ø7.5	1
1.2	AQ0015357	Grubscrew M3x10 flat point	1
1.3	AS0013040	Insert 47x47 H11 M37x1.5	1
1.4	AQ0004095	Ceramic cartridge Ø35 9x9 (K35A)	1
1.5	AC0010445	Ring for recessed shower mixer	1
1.6	AQ0001040	Cartridge ring nut M37x1.5 H9	1
2	AQ0003630	Cartridge ring nut cover M37x1.5	1
3	AC0011809	Handle Ø42 H34	1
4	AQ0009541	Grubscrew M5x4 flat point	1
5	AQ0006650	Plug cover Ø7	1
6	AQ0015829	Rubber packing double-sided tape 75x75x8x1	1
7	AC0013100	Plate 85X85 x2 300	1





WARRANTY

All IB Rubinetterie SpA products are warranted for 10 years from the date of purchase, for the following cases:

- Defects of casting, porosity and chrome plating.
- Operating defects caused by incorrect fabrication.

The warranty provides for repair or replacement of products with fabrication defects recognized by our technical office. There is no other type of compensation anche the merchandise must be returned FOB our warehouse. The warranty only cover surface defects (scatches, dings, etc.) on fitting that have not been installed and used, returned in its original packaging with all components. O-ring, gasket seals and components subject to wear proportional to use are warranted for 2 years.

The warranty is void in the following cases:

Error installing and putting the product into service.

Deterioration of finished surfaces due to use of cleaning products containing acids or abrasive substances. Deterioration of surface with finishes other than chrome plating. Their durability is, in fact, dependent on the user's care and gentleness of use.

Deterioration of the fitting due incorrect installation.

Improper repairs and maintenance performed without the company's prior authorization.

The warranty from IB Rubinetterie SpA is not renewable.

Cleaning

We recommended cleaning the finish surfaces with water and soap, using a soft cloth.

Do not use detergents that contain hydrochloric acid or abrasive substances.

