



WE ARE IB

Collection

**ELIO**

Article

**E0314\_1**

Description

**Exposed parts for manual wall mixer with three ways  
with shower kit**

Box Dimensions

**350x270x75 mm**

Weight

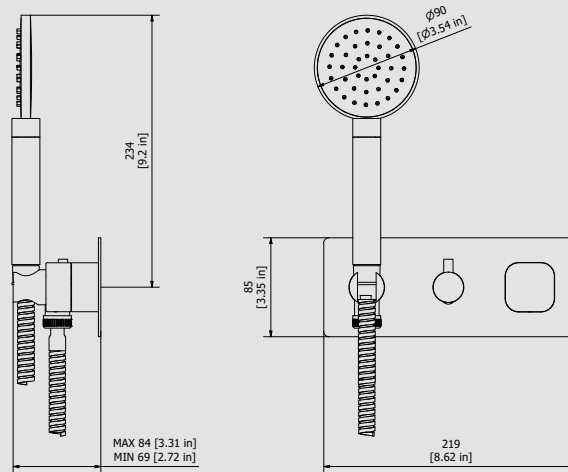
**3.0 kg**

Finishes

- **CC** CHROME
- **PL** PLATINUM
- **SS** BRUSHED NICKEL
- **ON** NATURAL BRASS
- **BO** MATT WHITE
- **NP** MATT BLACK
- **CF** BLACK CHROME
- **CS** BRUSHED BLACK CHROME
- **II** PALE GOLD
- **IS** BRUSHED PALE GOLD
- **RS** ROSE GOLD
- **SR** BRUSHED ROSE GOLD
- **OO** GOLD
- **OS** BRUSHED GOLD
- **RR** ANTIQUE COPPER
- **BB** ANTIQUE BRONZE



Dimensions



Cartridge

**Ø35 ceramic cartridge**

Threaded fitting

Aerator

Flow Rate (+/-10%)

1 BAR	2 BAR	3 BAR
8.23 l/m	11.7 l/m	14.3 l/m

Production

**Main body is a machined from a solid pieces**

Material

**BRASS**  
According to CuZn39Pb3 (CW614N)  
Max Lead content: 2.5%

IB RUBINETTERIE s.p.a  
via dei Pianotti 3/5  
25068 Sarezzo (BS) - Italy -

T. +39 030 802101  
F. +39 030 803097  
info@weareib.it

P.IVA 01785230986  
capitale sociale  
€420.000,00 i.v.

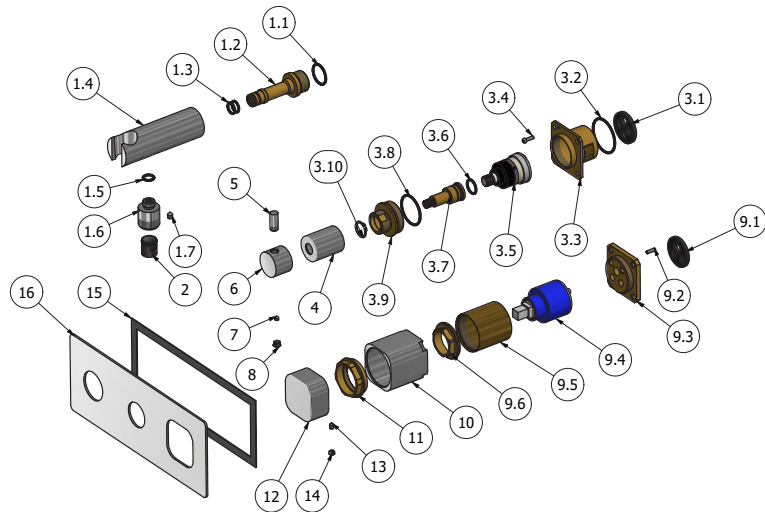
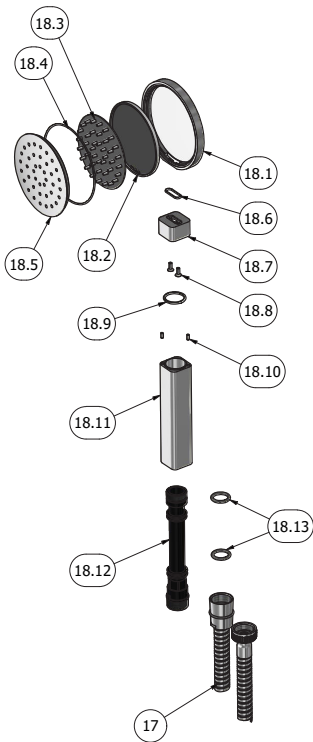
www.weareib.it





WE ARE IB

Parts list			
ELEM.	CODE	DESCRIPTION	QTA
1	CPSUPCCXN_1	Handshower support Ø30 L95	1
1.1	AQ0004640	OR 18.77x1.78 NBR 70 SH	1
1.2	AS0013051	Bayonet coupling G1/2" M H64.9	1
1.3	AQ0004180	OR 9.25x1.78 NBR 70 SH	2
1.4	AC0013053	Hand shower's support Ø30 L94.8	1
1.5	AQ0001340	OR 8.73x1.78 NBR 70 SH	1
1.6	AC0013052	Reduction G1/2" M M12x1 M H20.5	1
1.7	AQ0014670	Grubscrew M5x6 cone point	1
2	AQ0013247	Flow reduction+CV Ø15 4L	1
3	CPDEV3VCCXN_1	Preassembled diverter three ways	1
3.1	AQ0015686	Rubber Ø32 H4	1
3.2	AQ0008026	OR 33.05x1.78 NBR 70 SH	1
3.3	AS0013047	Insert 47x47x32	1
3.4	AQ0012206	Inox screw M3x10	1
3.5	AQ0014857	Diverter cartridge 3 outlets 180°	1
3.6	AQ0004610	OR 12.42x1.78 NBR 70 SH	1
3.7	AS0013048	Rod Ø17.9 H42.4	1
3.8	AQ0010597	OR 28.3x1.78 NBR 70 SH	1
3.9	AS0013050	Junction M32x1 M22x1 H23	1
3.10	AQ0015748	Seeger ring Ø14 H1	1
4	AC0013054	Ring Ø26 M22x1 F H33	1
5	AC0007092	Handle knob M8 H19	1
6	AC0011372	Diverter's knob Ø26 H20	1
7	AQ0001082	Grubscrew M4x4 cone point	1
8	AQ0006650	Plug cover Ø7	1
9	CP300CCXN_19	Pre assemble mixer 47x47 x recessed	1
9.1	AQ0015684	Gasket Ø31 H3.5 Ø7 Ø7.5	1
9.2	AQ0015357	Grubscrew M3x10 flat point	1
9.3	AS0013040	Insert 47x47 H11 M37x1.5	1
9.4	AQ0013271	Ceramic cartridge KRJ 35A 9x9	1
9.5	AS0016810	Ring for recessed shower mixer	1
9.6	AS0016806	Cartridge ring nut	1
10	AC0016809	Square ring 42x42 H44.2	1
11	AS0016807	Ring Ø40 M30x1.5 F.	1
12	AC0016801	Handle 42x42 H21.5 plane	1
13	AQ0010444	Grubscrew M4x6 cone point	1
14	AQ0012203	Plug	1
15	AQ0014142	Rubber packing double-sided tape 200x75x8x1	1
16	AC0016823	Plate 219x85x2	1
17	AQ0003120	Hose G1/2" F G1/2" cone L150	1
18	CPEF090CCXN1	Square hand shower 24x24 H214	1
18.1	AQ0016231_3	Handshower head Ø90	1
18.2	AQ0016231_10	Diffuser press cover	1
18.3	AQ0016231_2	Shower diffuser	1
18.4	AQ0016231_11	OR 80x1.3 NBR 70 SH	1
18.5	AQ0016231_1	Diffuser holder flange	1
18.6	AQ0016231_4	OR12x1.5 NBR 70 SH	1
18.7	AC0016811	Connection 24x24 M20X1 H16	1
18.8	AQ0016231_6	Screw inox M3x8 TSP DIN7991	2
18.9	AQ0016231_7	OR 18x2 NBR 70 SH	1
18.10	AQ0012230	Stainless stell pin Ø2.5x6	2
18.11	AC0016812	Grip 24x24 H.110.5	1
18.12	AQ0016231_9	Insert for handshower G1/2"	1
18.13	AQ0016231_8	OR 13.95x2.62 NBR 70 SH	2
20	AQ0003120	Hose G1/2" F G1/2" cone L150	1





### WARRANTY

All IB Rubinetterie SpA products are warranted for 10 years from the date of purchase, for the following cases:

- Defects of casting, porosity and chrome plating.
- Operating defects caused by incorrect fabrication.

The warranty provides for repair or replacement of products with fabrication defects recognized by our technical office. There is no other type of compensation anche the merchandise must be returned FOB our warehouse. The warranty only cover surface defects (scatches, dings, etc.) on fitting that have not been installed and used, returned in its original packaging with all components. O-ring, gasket seals and components subject to wear proportional to use are warranted for 2 years.

#### The warranty is void in the following cases:

Error installing and putting the product into service.

Deterioration of finished surfaces due to use of cleaning products containing acids or abrasive substances. Deterioration of surface with finishes other than chrome plating. Their durability is, in fact, dependent on the user's care and gentleness of use.

Deterioration of the fitting due incorrect installation.

Improper repairs and maintenance performed without the company's prior authorization.

The warranty from IB Rubinetterie SpA is not renewable.

#### Cleaning

We recommended cleaning the finish surfaces with water and soap, using a soft cloth.

Do not use detergents that contain hydrochloric acid or abrasive substances.

