

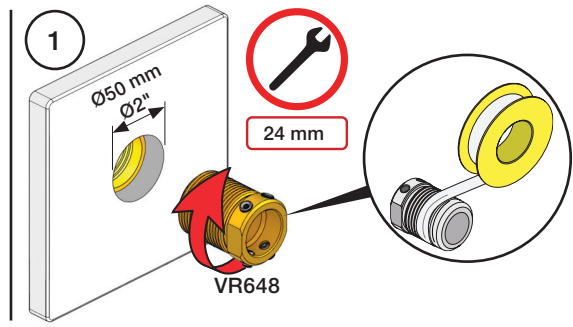
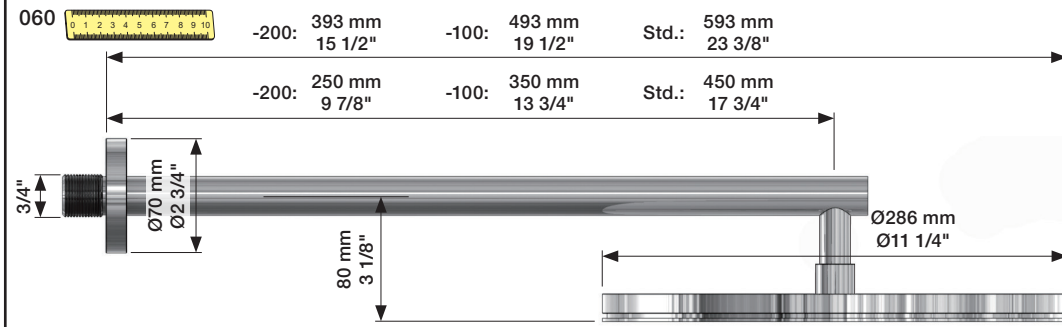
Fitting instruction
 Montageanleitung
 Monteringsvejledning
 Monteringsvægledning
 Montageanleitung
 Manuel de montage

Data	Bar:	1	2	3	4	5
	(l/min)	12	18	22	25	29
	(Gal/min)	3.4	4.8	5.8	6.6	7.7
Max. 65°C. 150°F						

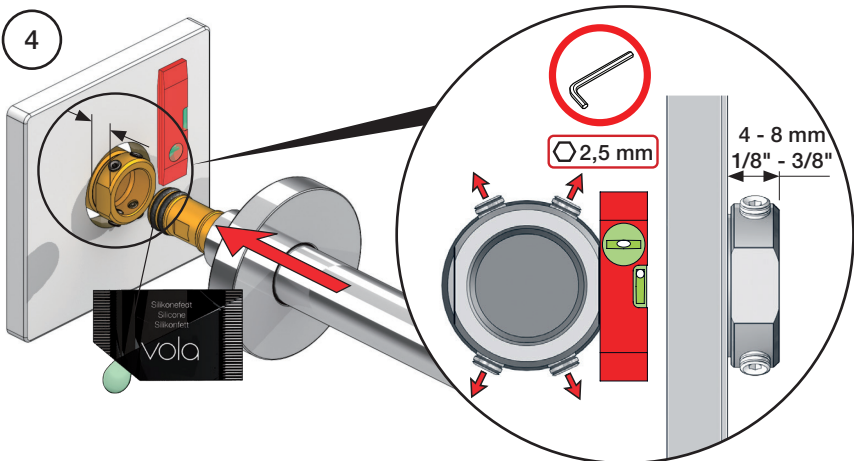
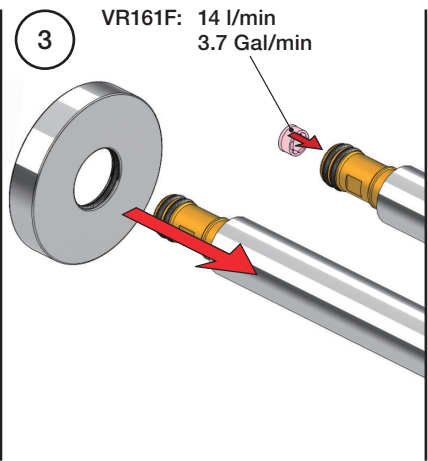
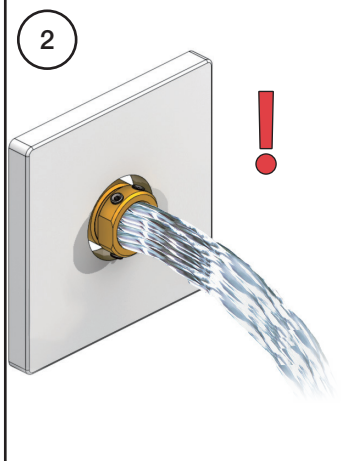
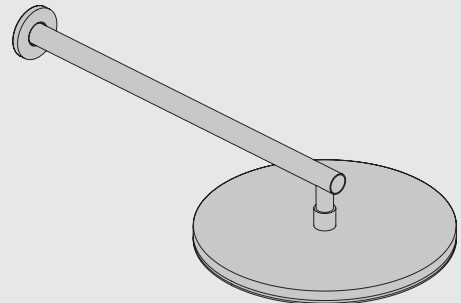
VR161 - 060, 060A:
 VR161K: 1.8 Gal/min - 7 l/min
 VR161D: 2.5 Gal/min - 9 l/min
 VR161F: 3.7 Gal/min - 14 l/min

VR161K VR161D VR161F

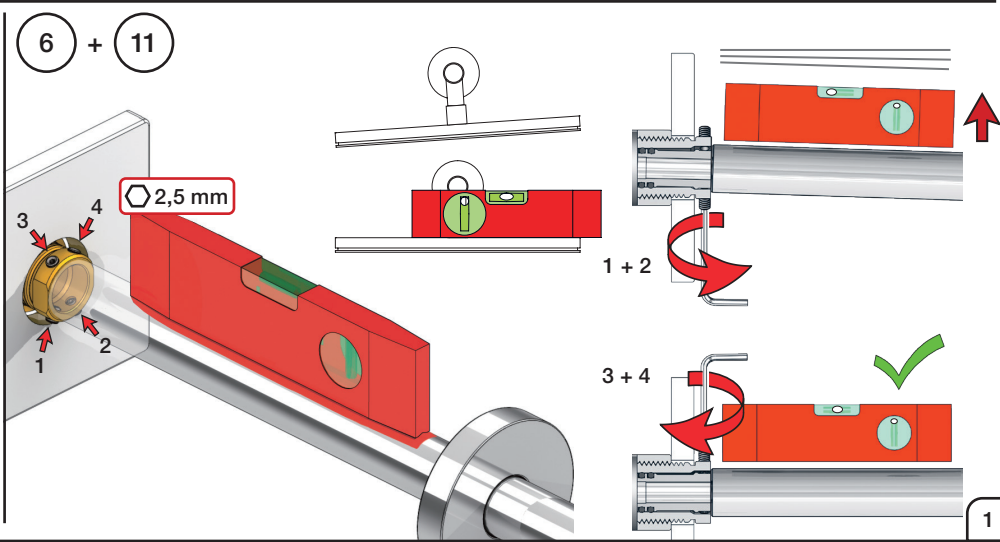
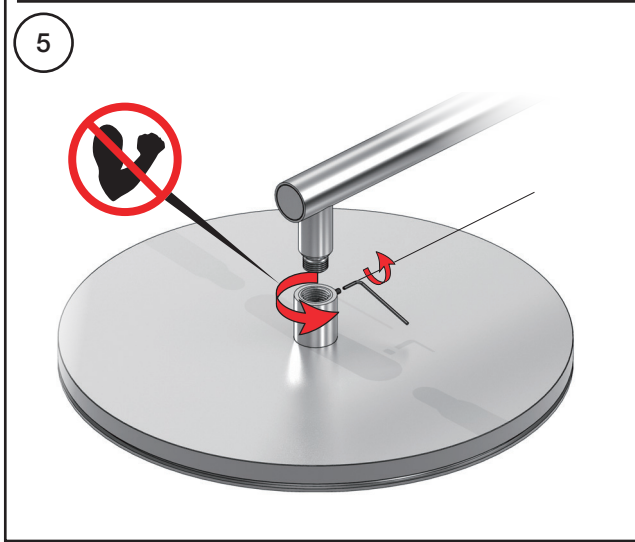
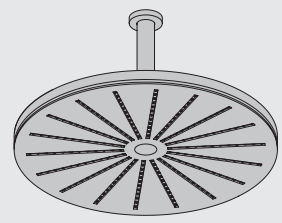
+

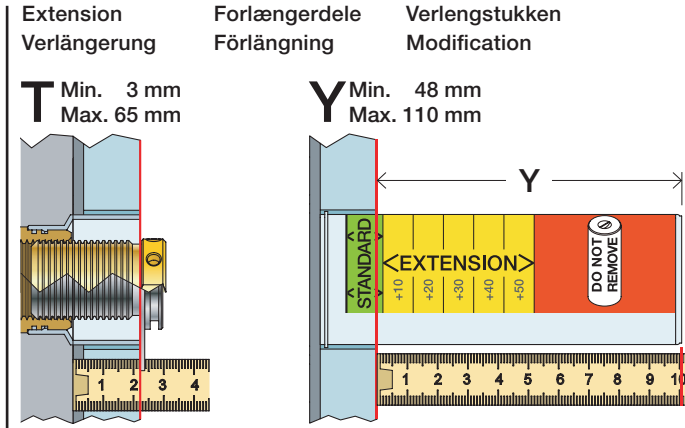
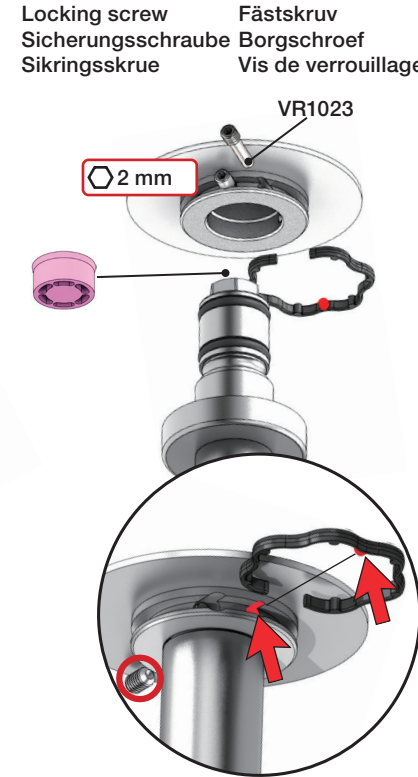
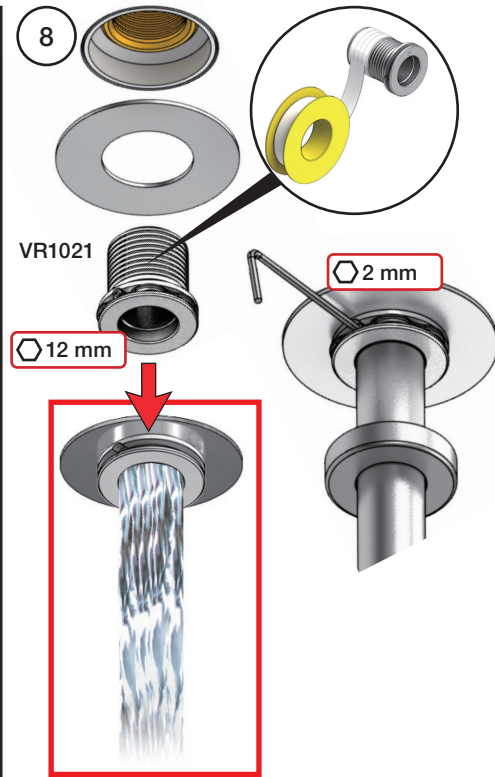
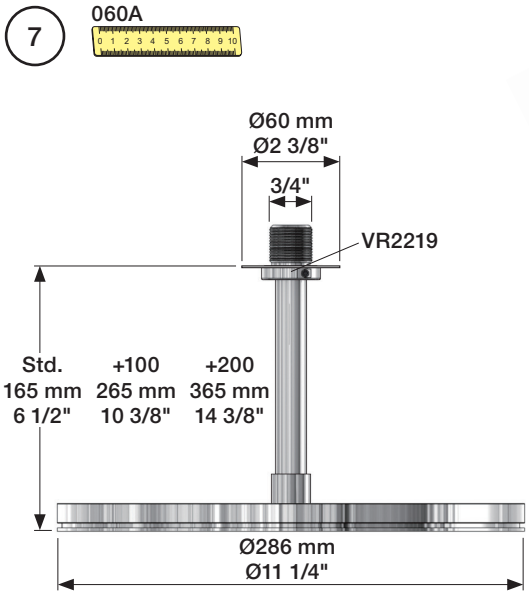


060:
 - +

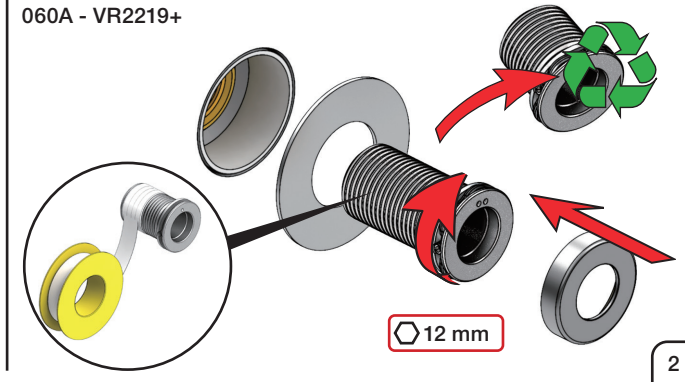
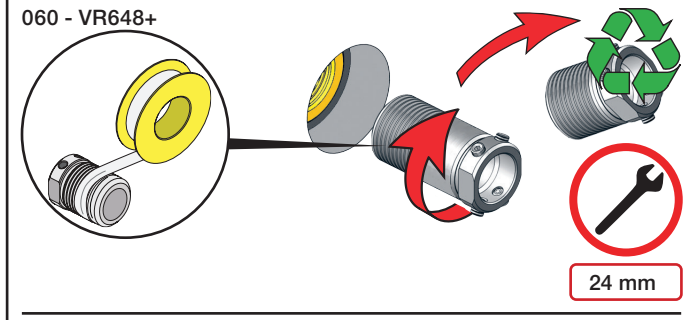
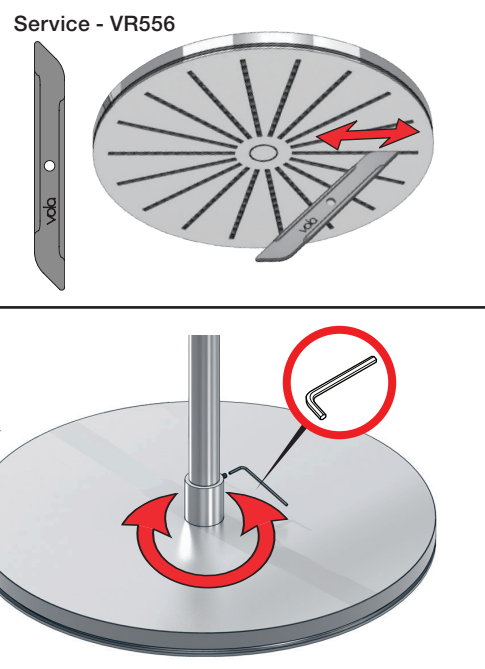
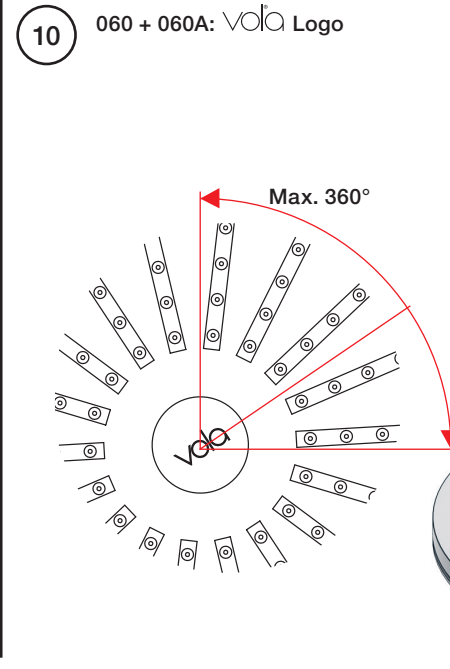
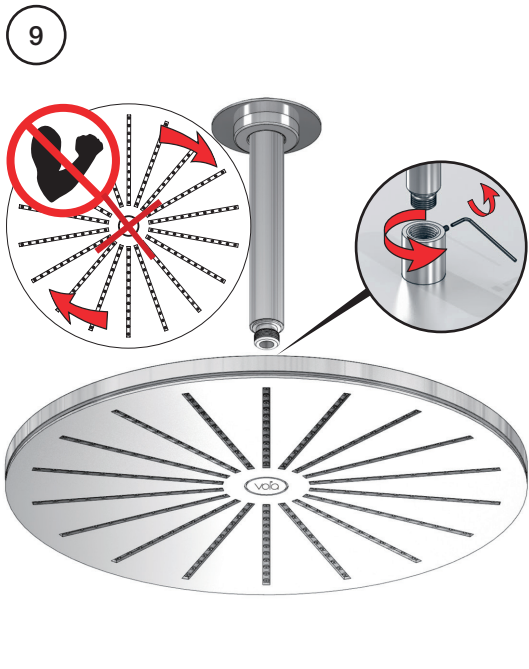


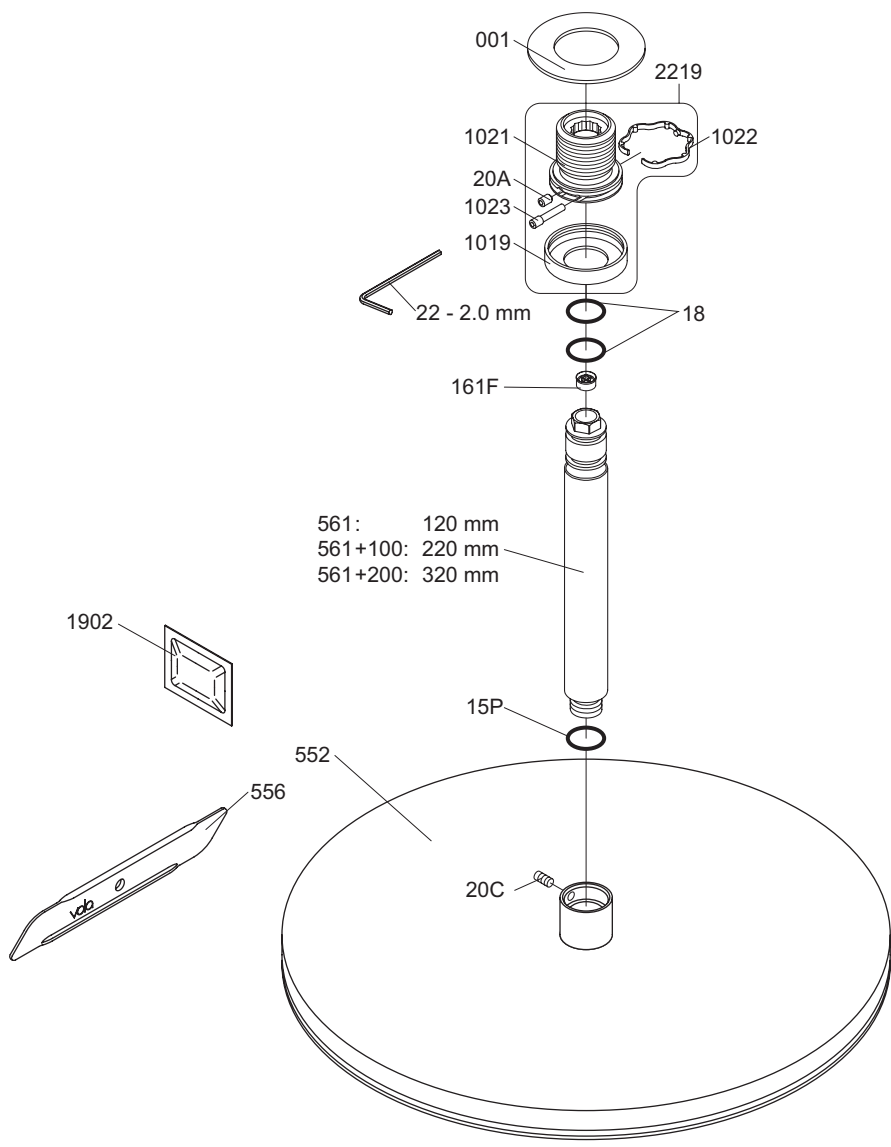
060A:
 -





T: VR2219	T: VR648	Y	
3 - 15 mm	3 - 19 mm	110 - 98 mm	Std.
15 - 25 mm	17 - 28 mm	98 - 88 mm	+10
25 - 35 mm	27 - 38 mm	88 - 78 mm	+20
35 - 45 mm	37 - 48 mm	78 - 68 mm	+30
45 - 55 mm	47 - 58 mm	68 - 58 mm	+40
55 - 65 mm	57 - 68 mm	58 - 48 mm	+50





VR1021K: VR20A, VR22, VR1021, VR1022
 VR2219: VR20A, VR22, VR1019, VR1021, VR1022, VR1023



vola
 Lunavej 2
 DK-8700 Horsens
 Tlf : + 45 7023 5500
 sales@vola.com
 www.vola.com

VOLA 060A

Date
 Apr. 21

Rev.
 2

Sheet
 SB 15.2