

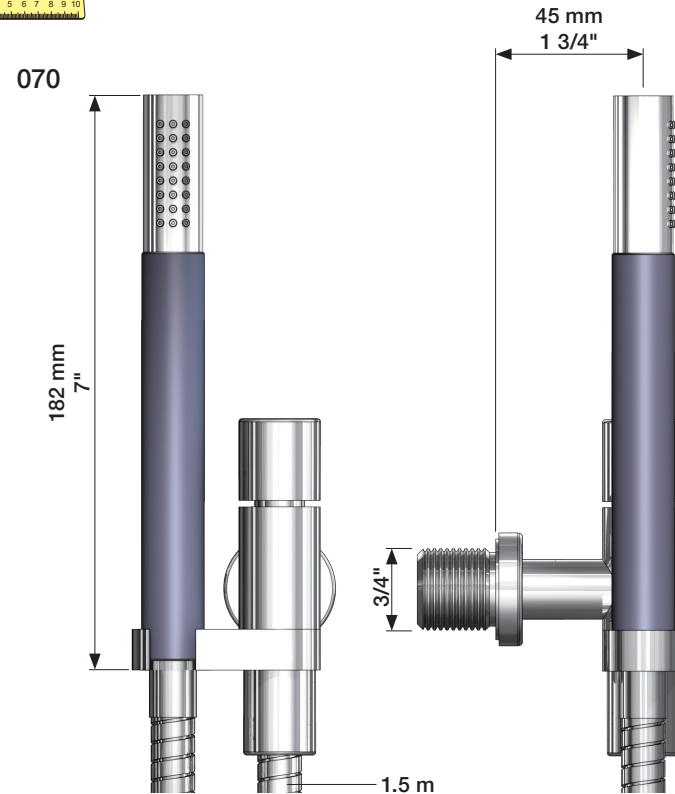
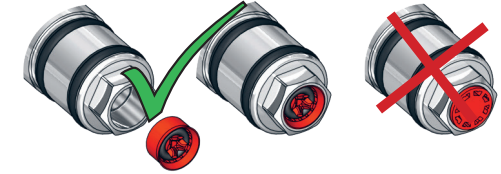
**VOLA 070, 070R, 070-HT2**

Fitting instruction  
 Montageanleitung  
 Monteringsvejledning  
 Monteringsvægledning  
 Montage hanleiding  
 Manuel de montage

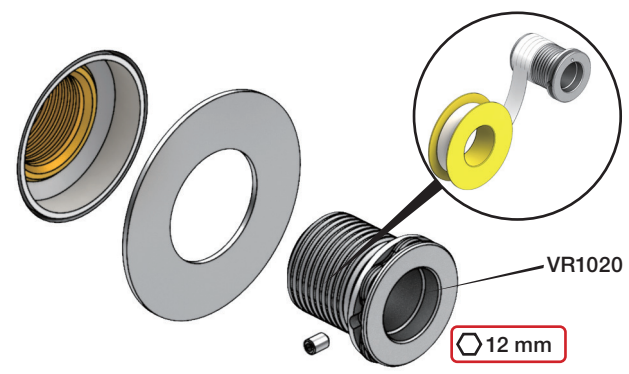
| Data  | Bar:                 | 1        | 2         | 3         | 4         | 5        |
|---|----------------------|----------|-----------|-----------|-----------|----------|
| 070/070R  | (l/min)<br>(Gal/min) | 9<br>2.5 | 9<br>2.5  | 9<br>2.5  | 9<br>2.5  | 9<br>2.5 |
| 070-HT2   | (l/min)<br>(Gal/min) | 9<br>2.5 | 12<br>3.2 | 15<br>4.0 | 17<br>4.5 | 19<br>5  |
|  | Max. 65°C. 150°F     |          |           |           |           |          |



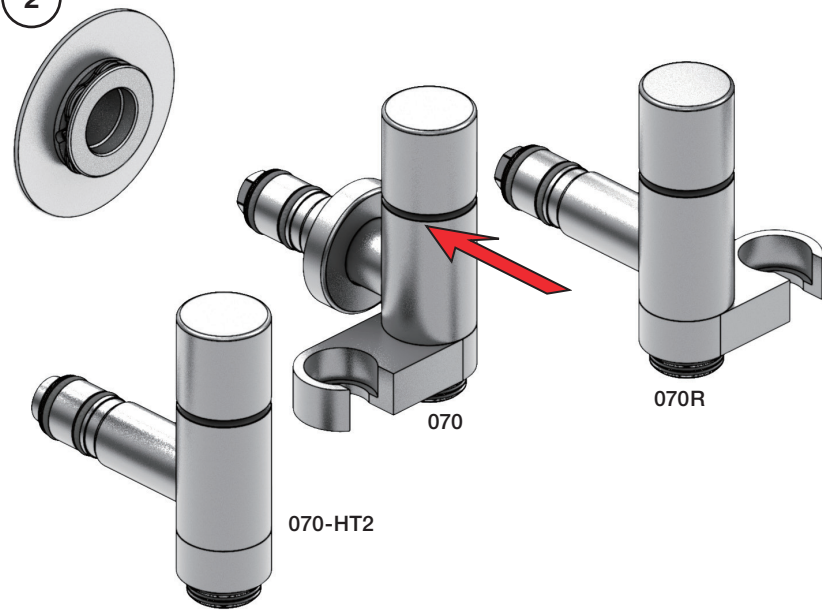
**VR161:**  
 VR161K: 7 l/min - 1.8 Gal/min (Cal Green)



1



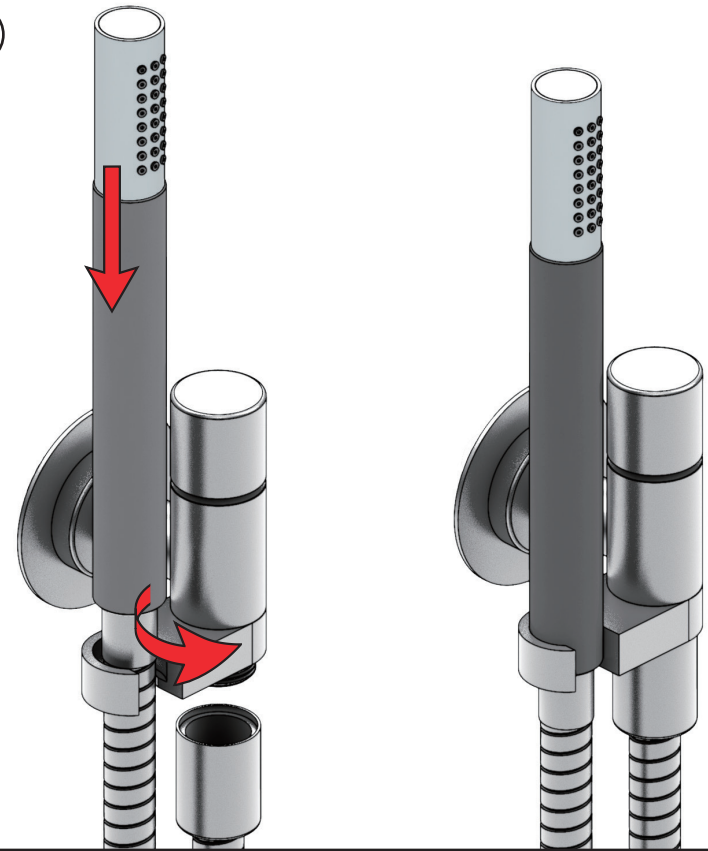
2



3



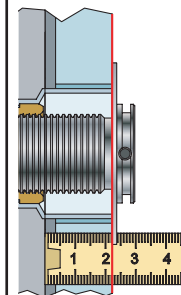
2



Extension Verlängerung      Forlængerdele Förlängning      Verlengstukken Modification

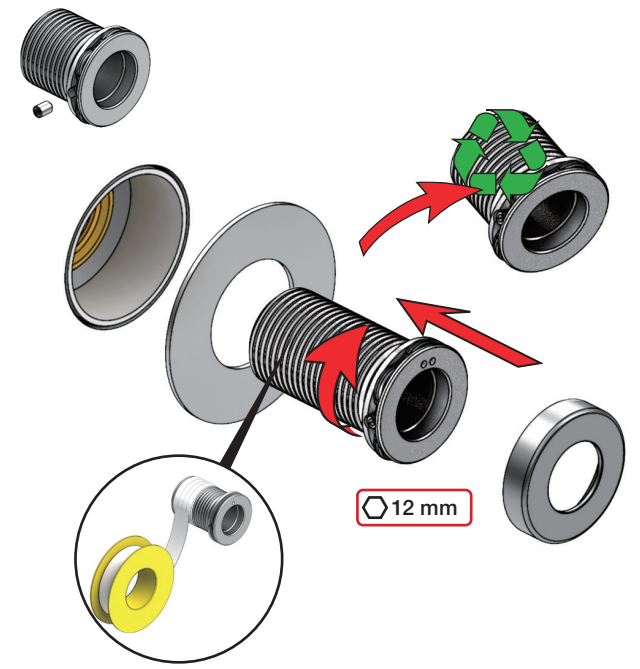
**T** Min. 3 mm  
Max. 65 mm

**Y** Min. 48 mm  
Max. 110 mm



| T          | Y           | VR2019 |
|------------|-------------|--------|
| 3 - 15 mm  | 110 - 98 mm | Std.   |
| 15 - 25 mm | 98 - 88 mm  | +10    |
| 25 - 35 mm | 88 - 78 mm  | +20    |
| 35 - 45 mm | 78 - 68 mm  | +30    |
| 45 - 55 mm | 68 - 58 mm  | +40    |
| 55 - 65 mm | 58 - 48 mm  | +50    |

VR2019+





VR1020K: VR20A, VR22, VR1020, VR1022  
 VR2019: VR20A, VR22, VR1019, VR1020, VR1022



vola  
 Lunavej 2  
 DK-8700 Horsens  
 Tlf : + 45 7023 5500  
 sales@vola.com  
 www.vola.com

## VOLA 070, 070R 070-HT2

Date  
 Apr. 21

Rev.  
 5

Sheet  
 SB 16