

Walraven VibraTek® MS-M Spring Mount Mini

Compact spring isolator for light equipment

Walraven VibraTek® MS-M

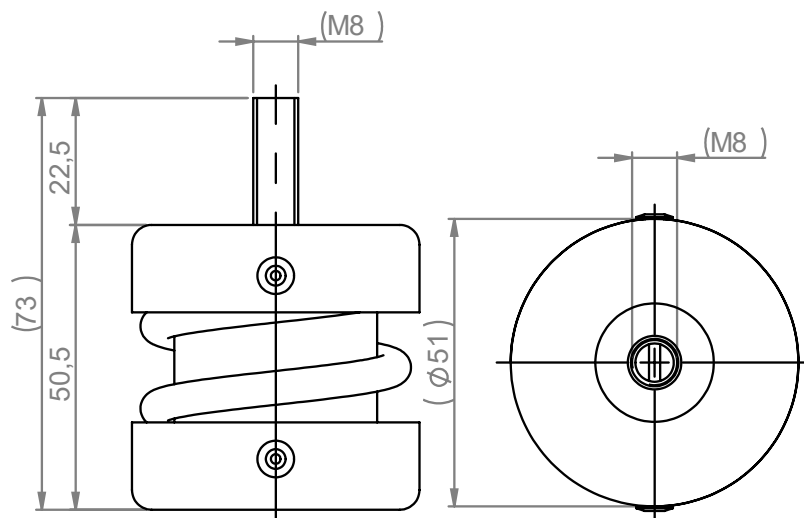
Features and benefits



- Low-rise spring isolator with M8 external thread for light equipment and machinery or tight spaces
- Recommended for machinery with working speeds of 1000 RPM or above
- Steel frame attached to spring mechanically with metal rivets
- Steel: zinc-plated

Technical Drawing

Applications



- All types of machinery with working RPM speeds of 1000 or more

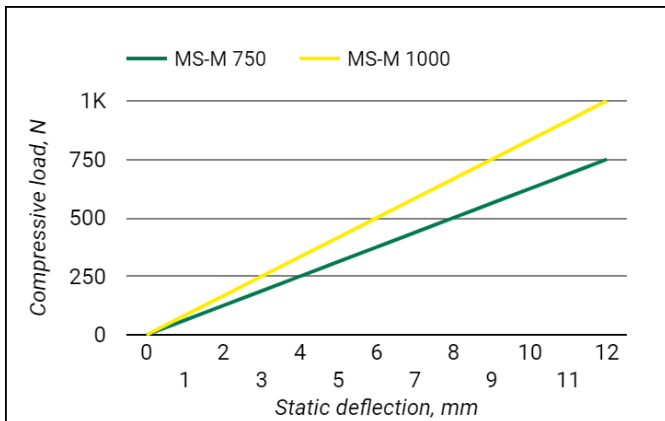
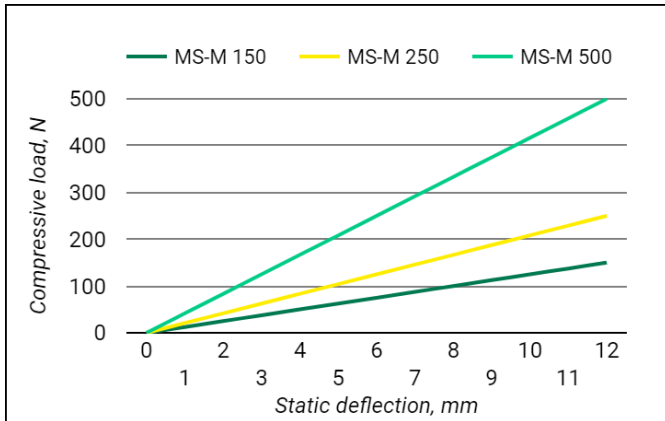
1. Product and packaging details

Article	Description	Dimension	Piece		Pack 1	
			[pcs]	EAN13	[pcs]	EAN13
2800200150	MS-M Spring Mount Mini	150/M8	1	8719942045186	50	8719942045193
2800200250	MS-M Spring Mount Mini	250/M8	1	8719942045216	50	8719942045216
2800200500	MS-M Spring Mount Mini	500/M8	1	8719942045247	50	8719942045254
2800200750	MS-M Spring Mount Mini	750/M8	1	8719942045278	50	8719942045285
2800201000	MS-M Spring Mount Mini	1000/M8	1	8719942045308	50	8719942045315

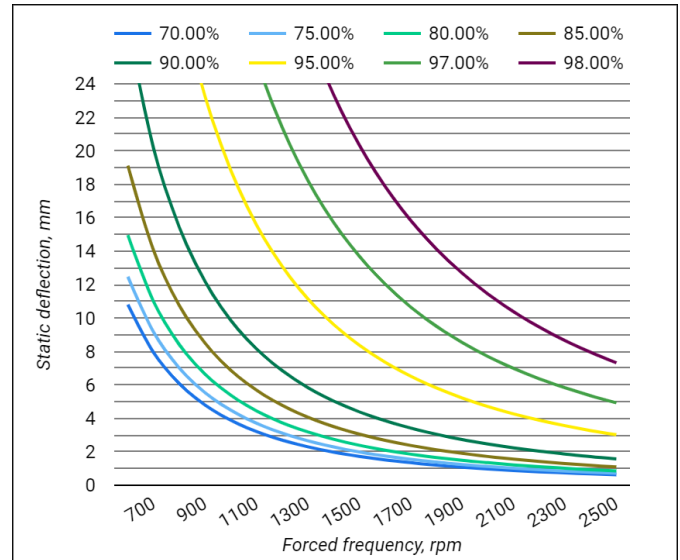
2. Performance data

Article	Description	Dimension	Max. Deflection	Min. load	Max. load	Optimal load
			[mm]	[N]	[N]	[N]
2800200150	MS-M Spring Mount Mini	150/M8	12mm	25	150	30-140
2800200250	MS-M Spring Mount Mini	250/M8	12mm	40	250	50-230
2800200500	MS-M Spring Mount Mini	500/M8	12mm	80	500	100-450
2800200750	MS-M Spring Mount Mini	750/M8	12mm	125	750	150-680
2800201000	MS-M Spring Mount Mini	1000/M8	12mm	125	1000	200-980

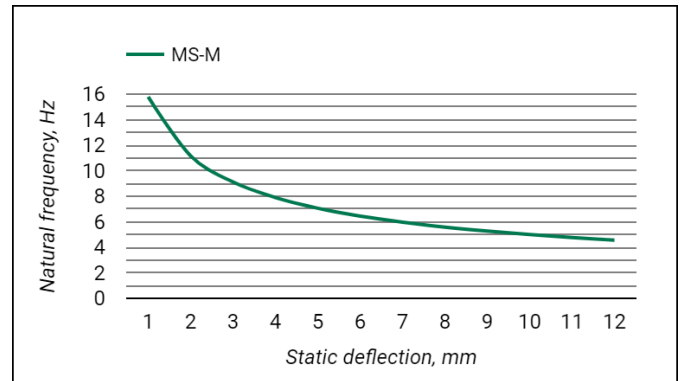
2.1 Static deflection



2.2 Isolation efficiency



2.2 Natural frequency



3. Other properties

Description	Value
Damping factor	0.005
Maximum transient overload % on maximum load	50 %
Working temperature	-90° C to +200 °C